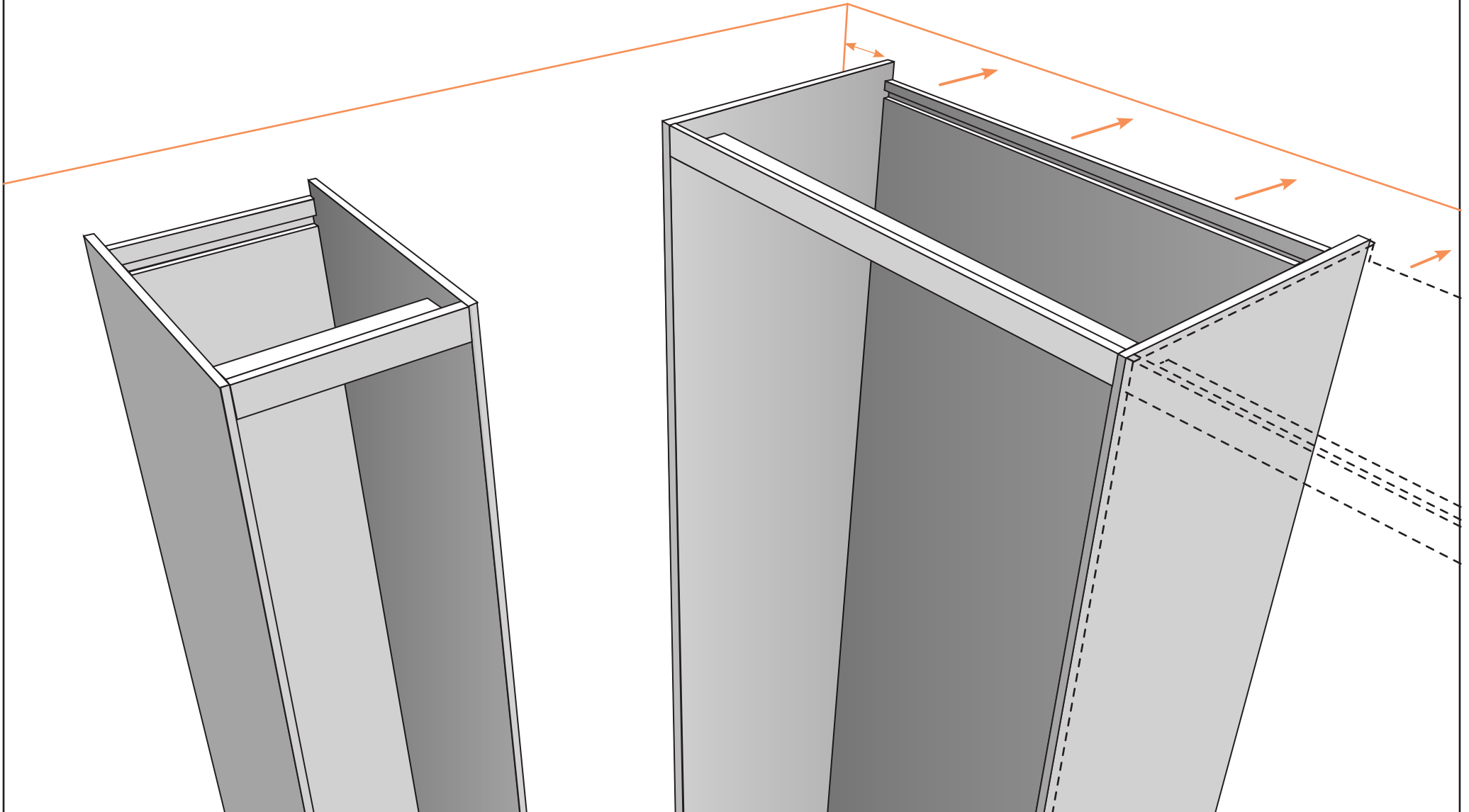


Corner Post Instructions

Assemble the basic wardrobe

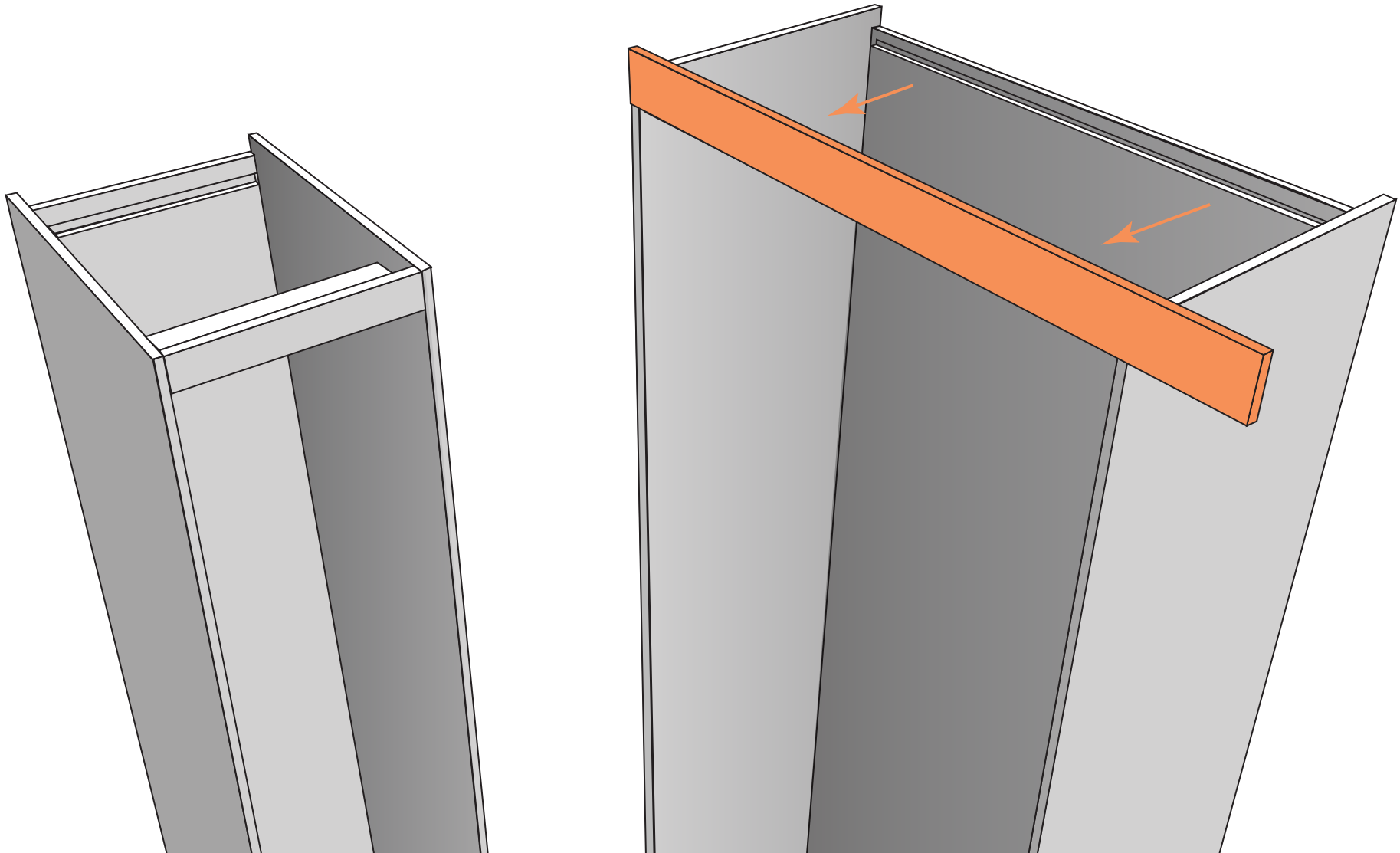
Once assembled, fit the corner wardrobe and any cabinets that attach directly to the side of it to the wall.

Note: The side of the unit should be spaced from the wall. See page 6 for more details.



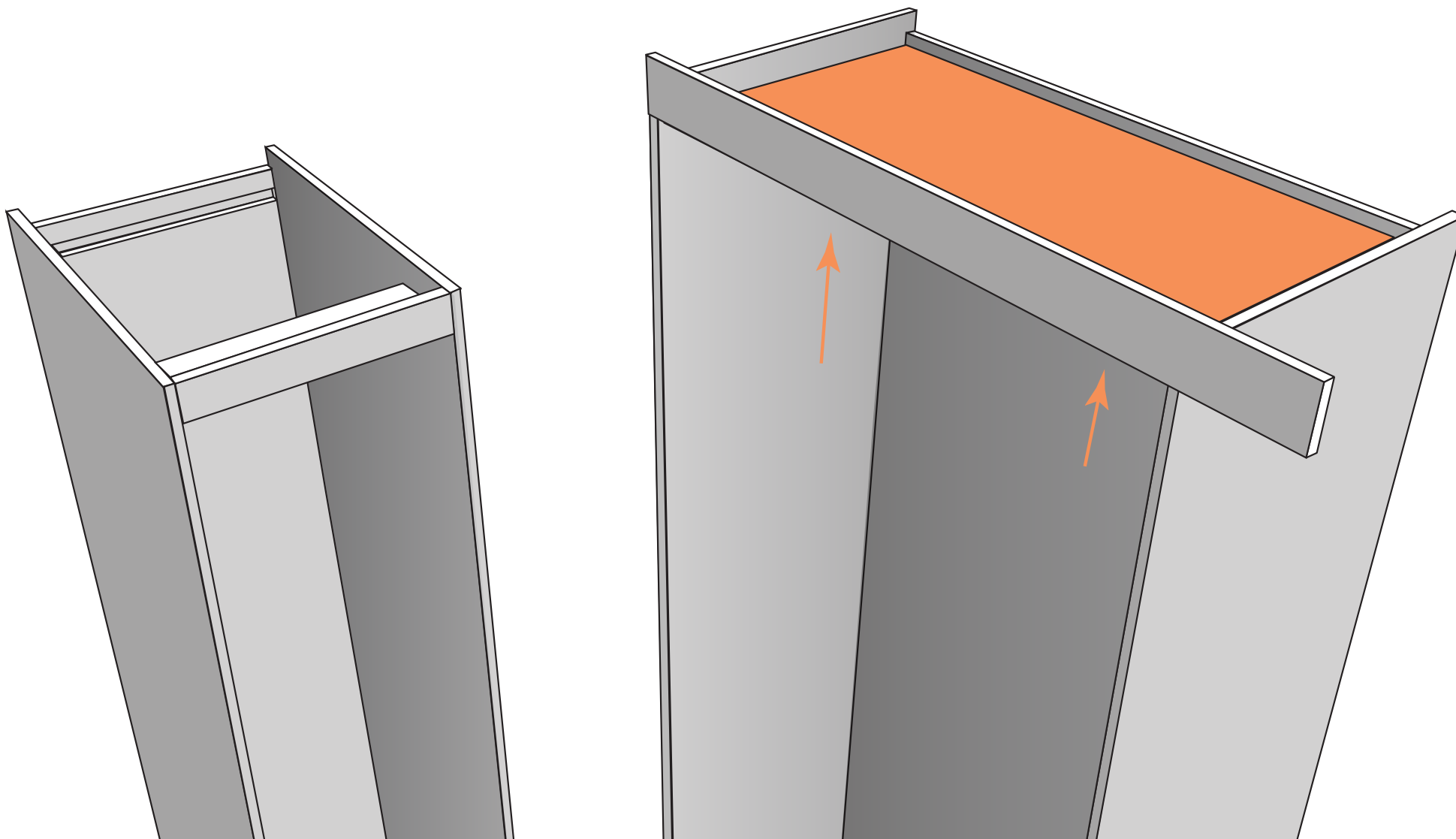
Fit the plinths

fit the top and bottom plinths to the corner unit, screwing in from the back of the L-shaped brace



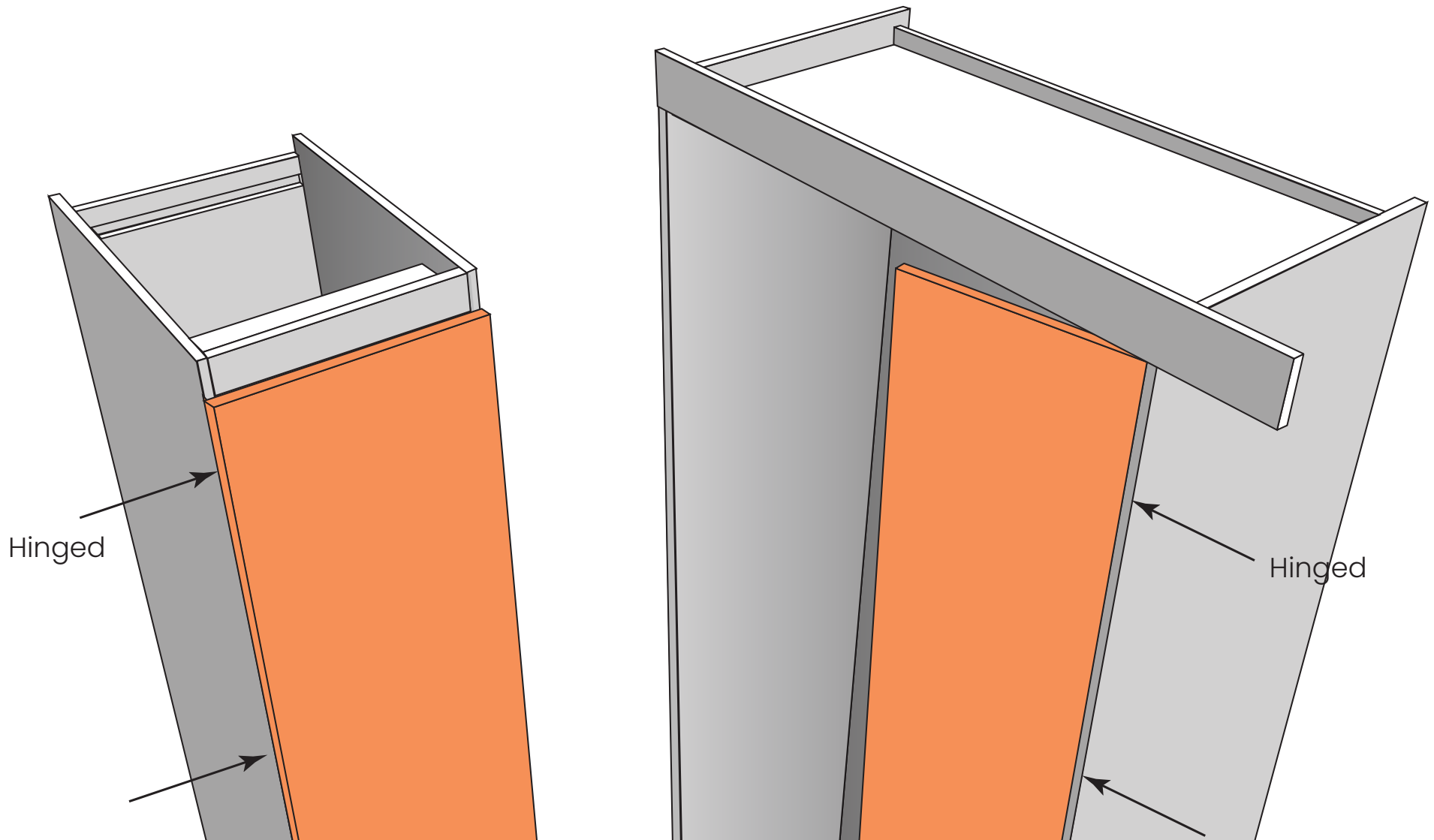
Fit the panels

fit the top and bottom panels to the corner unit, using the grooves on the back.
Note: screw holes to the front.



Fit the doors

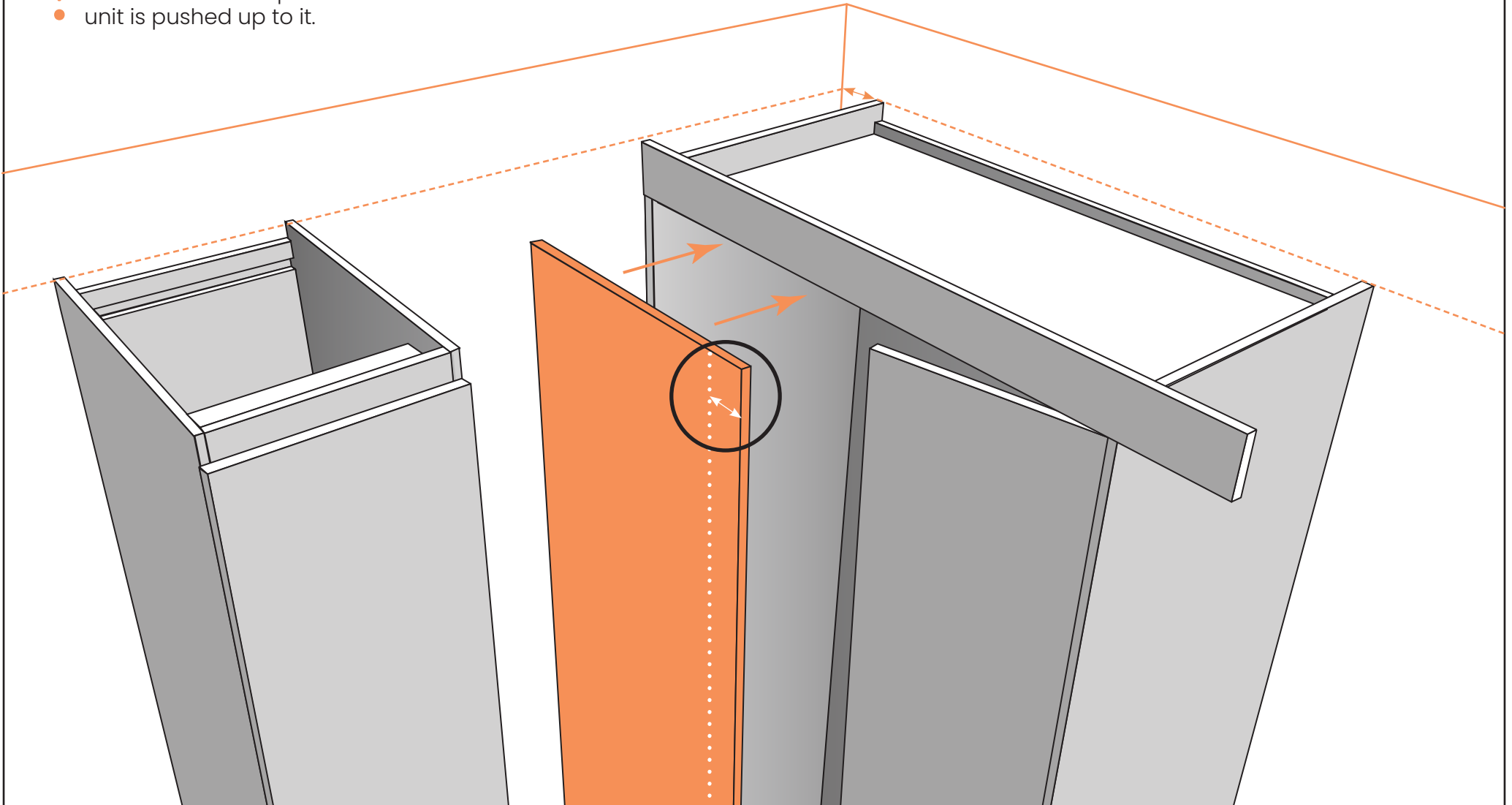
This will make it easier to line the corner post up with the doors later



Fit the blank panel

! **This unit should be spaced from the wall sufficiently** to allow the blank panel to be visible once the other unit is pushed up to it.

This is to allow the door handles to pass each other in the corner.

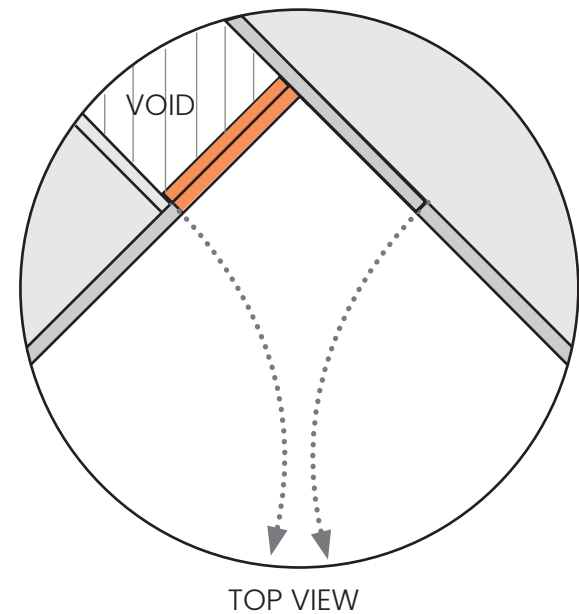
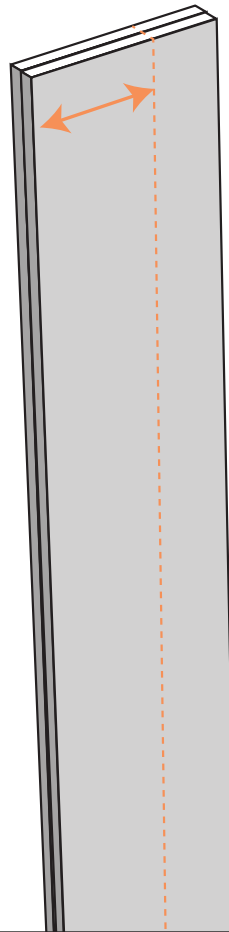
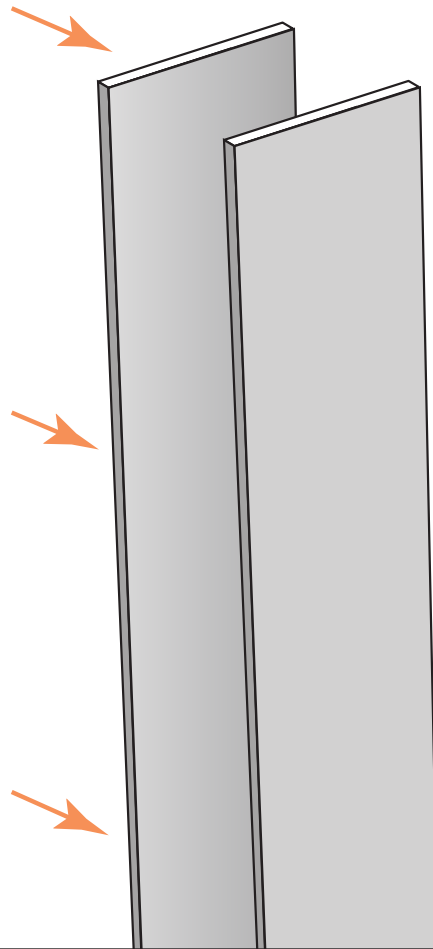


Cut the corner post

The corner post is made from 2 x 18mm pieces of MFC screwed together

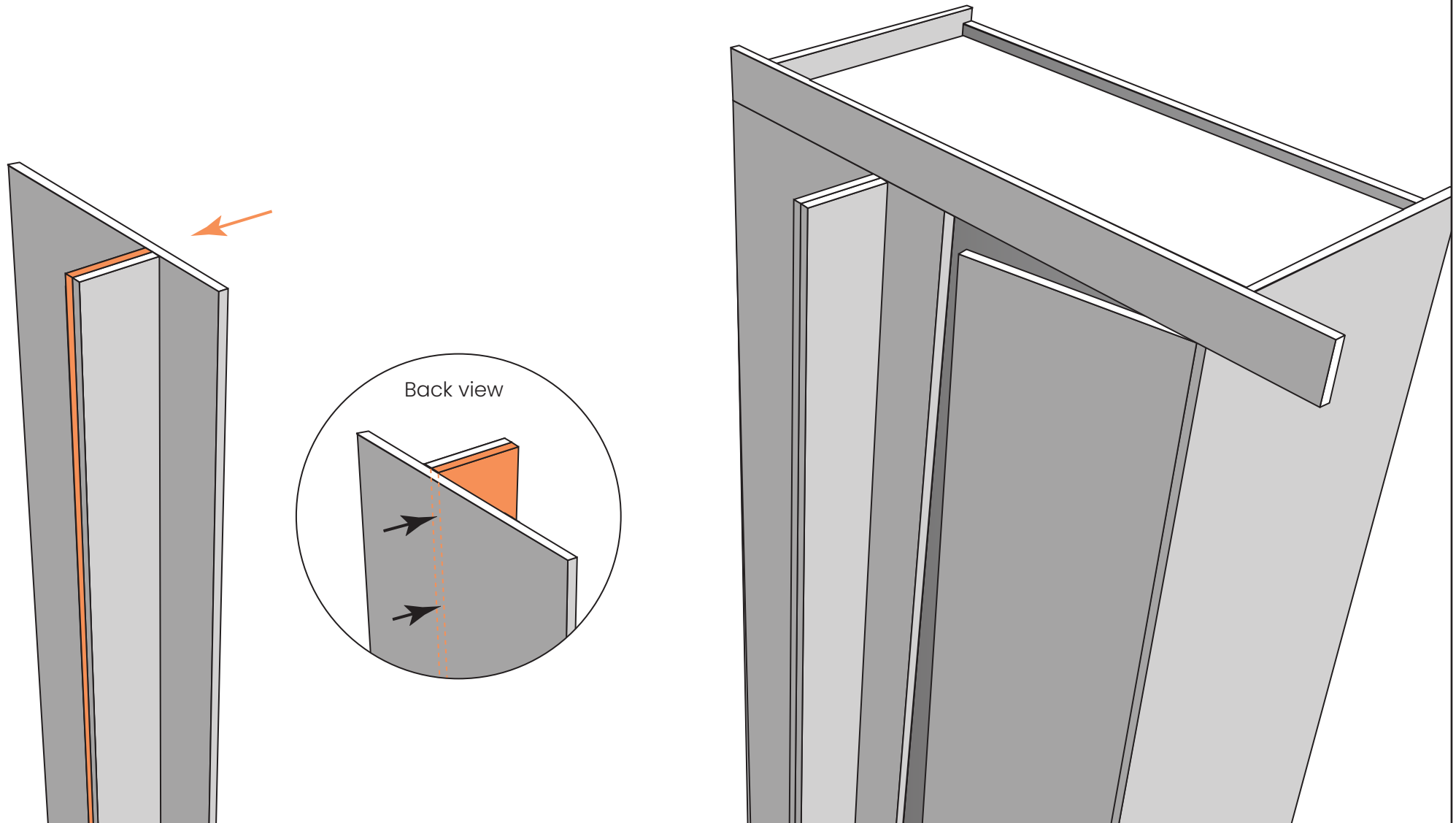
Cut the corner post to the desired size
(usually around 50-60mm depending on your room size)

Don't make this too small
Please ensure the handles on each unit will pass each other



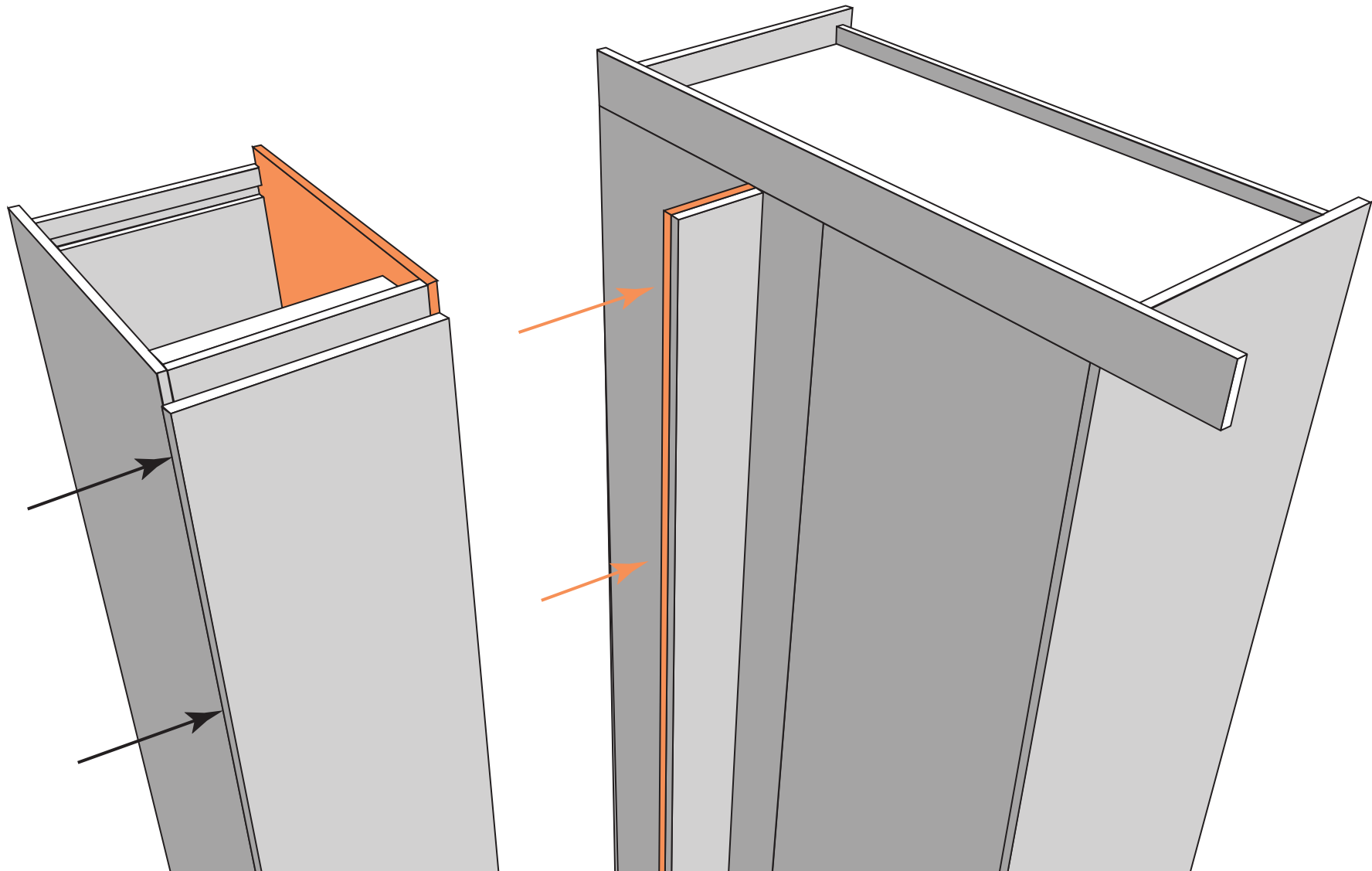
Fit the corner post

Once cut to size, screw through the back of the blank panel into the back peice of the corner post to create a T-shape.



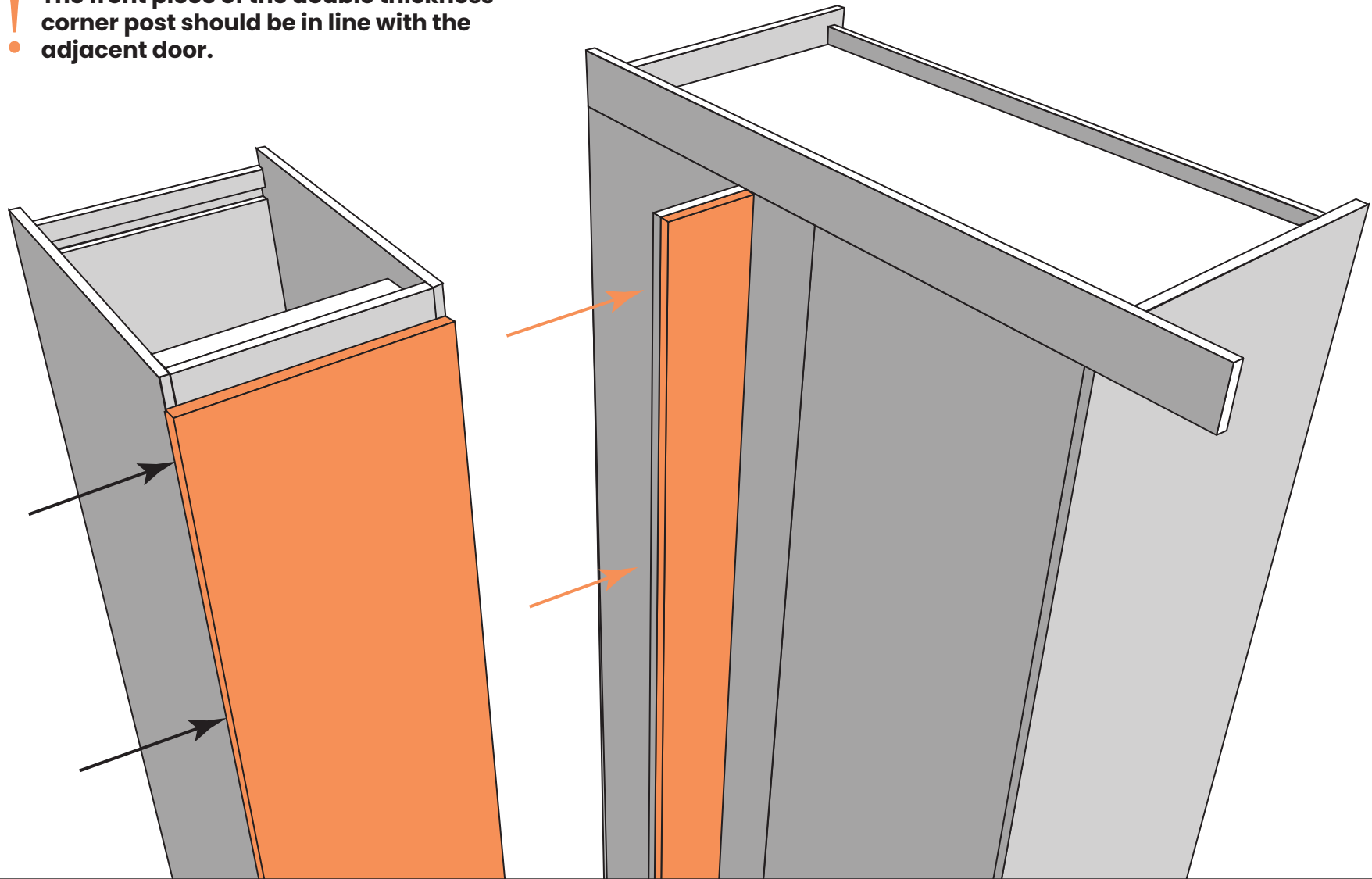
Push the adjoining cabinet up to the corner post

Screw the cabinet to the back part of the corner post

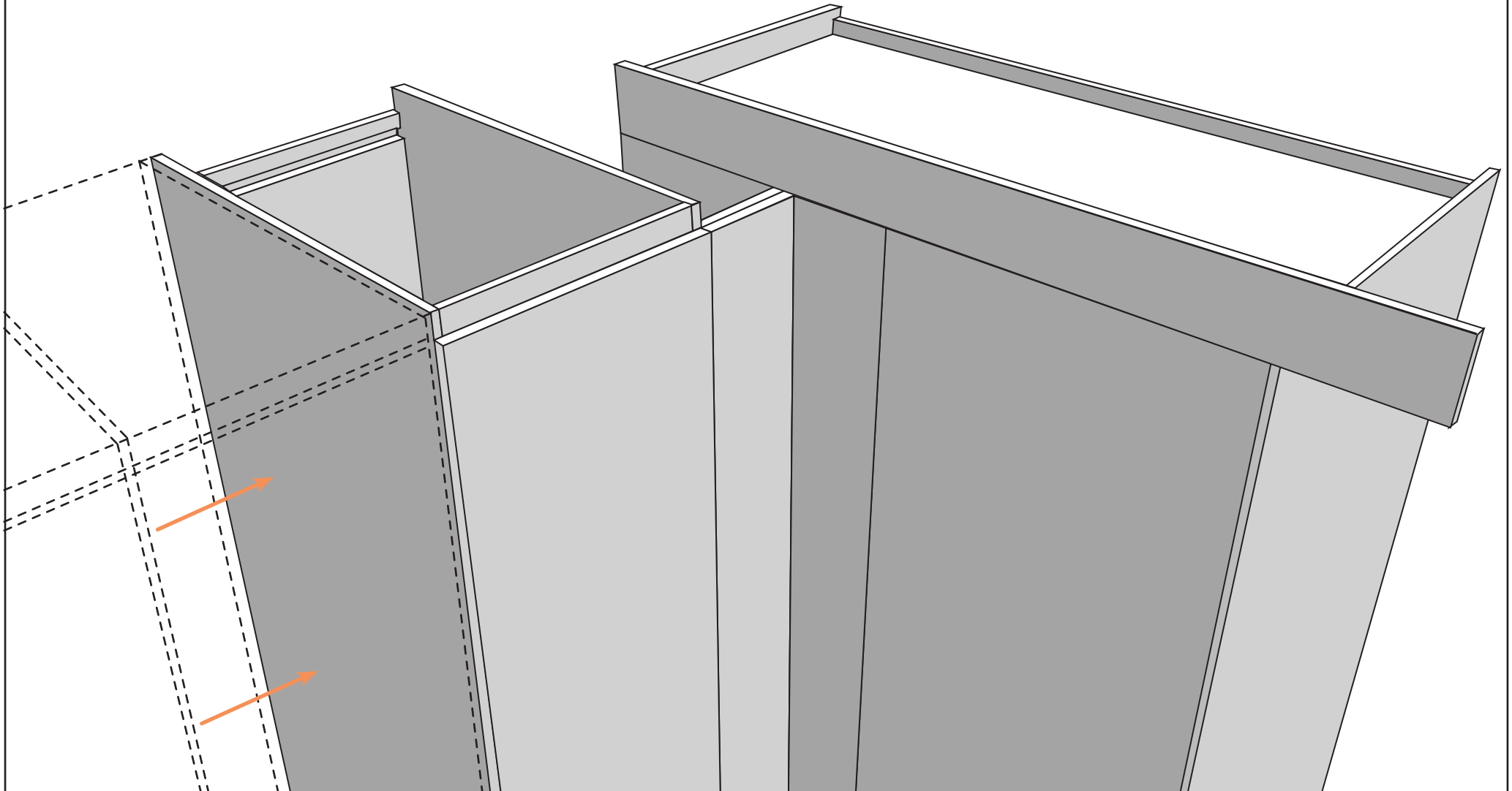


Push the adjoining cabinet up to the corner post

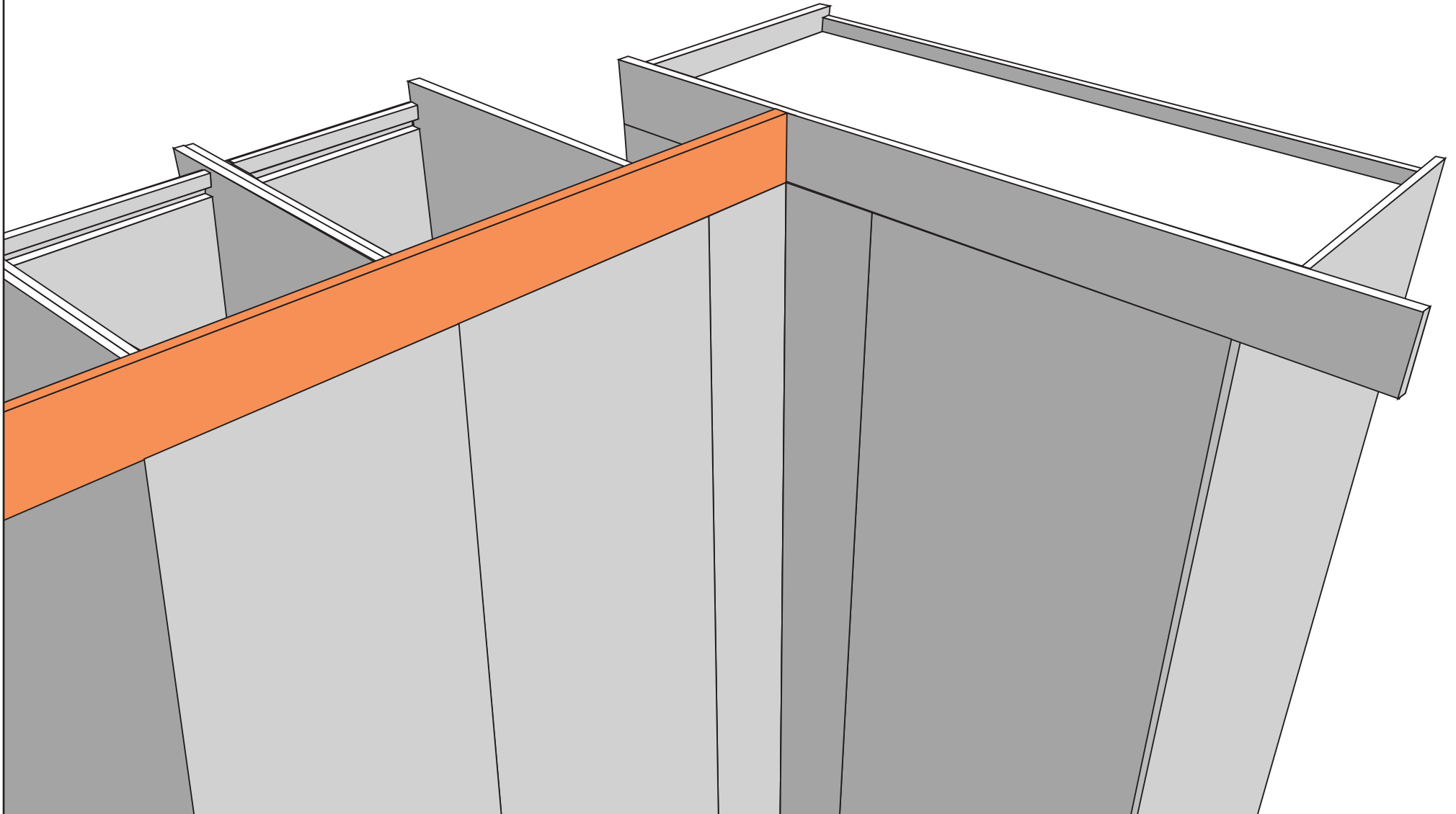
- ! The front piece of the double thickness corner post should be in line with the adjacent door.
-



Fit any remaining units coming off the left hand side



Fit the plinth to the top and bottom of the left side units



Fit the panels to the top and bottom of the left hand units

