



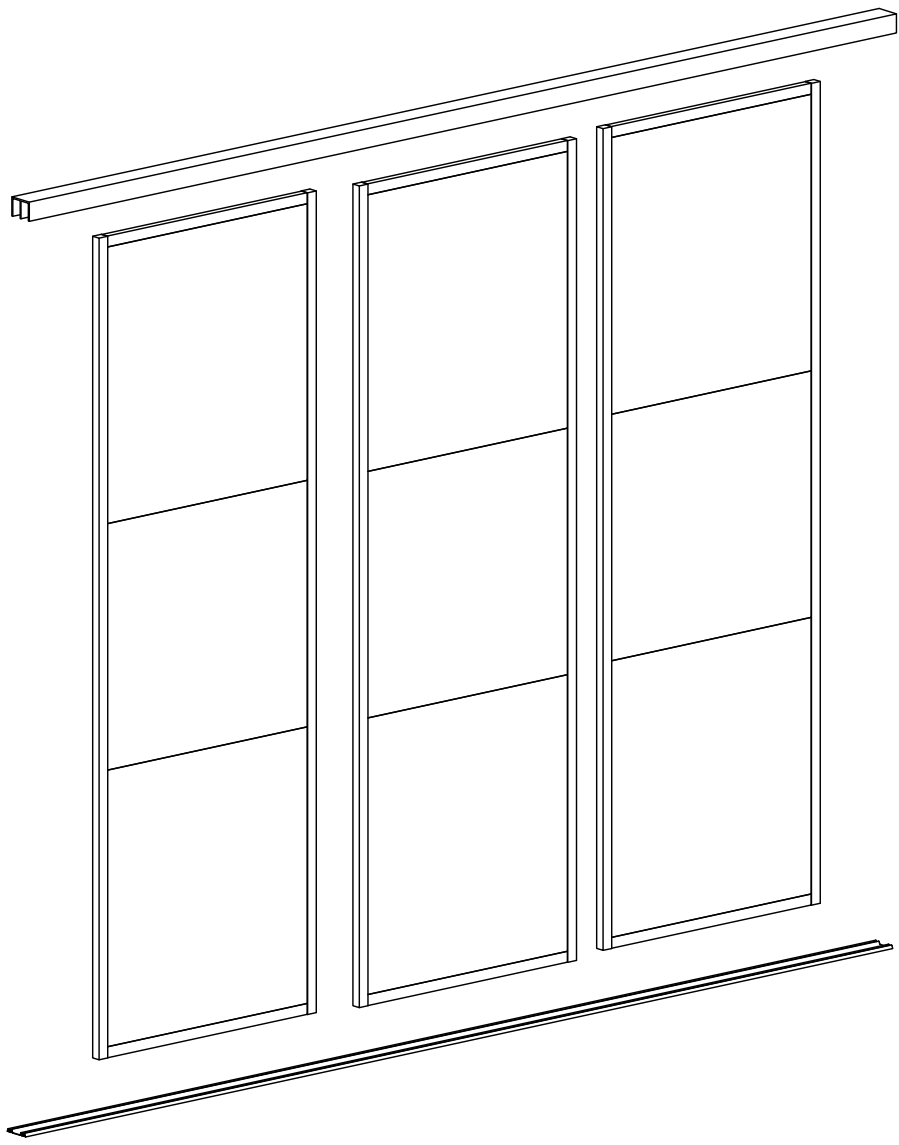
HOW TO FIT SLIDING DOORS



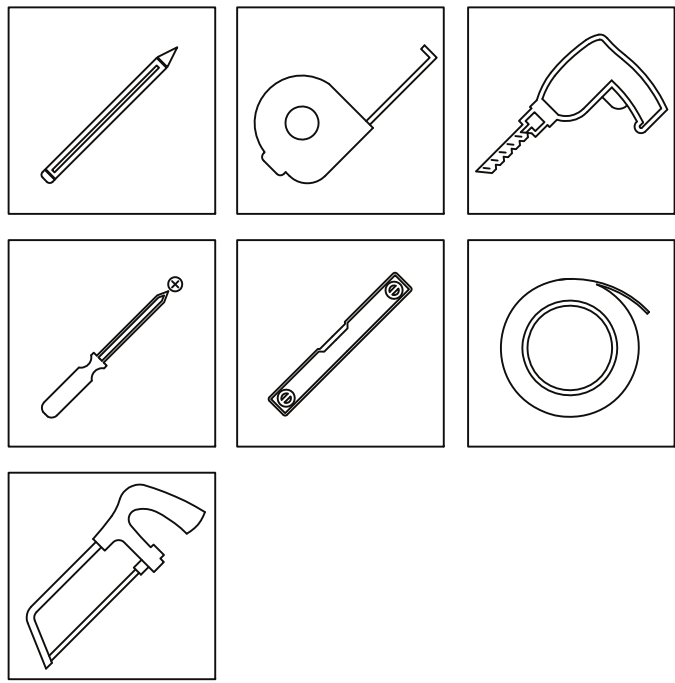
**Assemble and fit your open wardrobes
BEFORE installing the sliding doors.**

Floor should be level before starting installation.

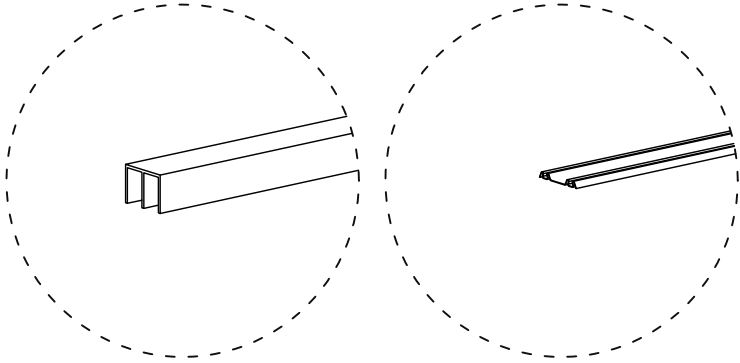
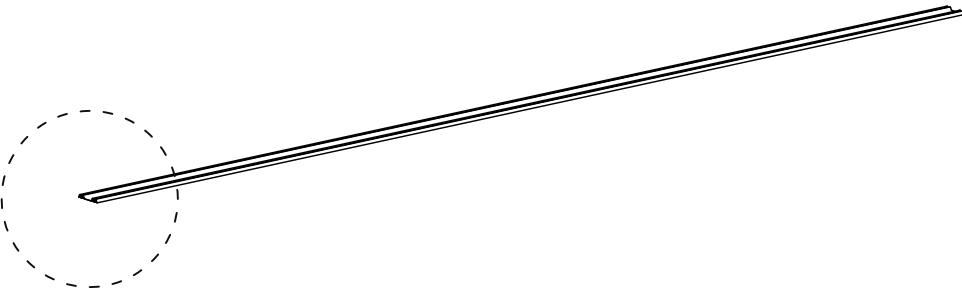
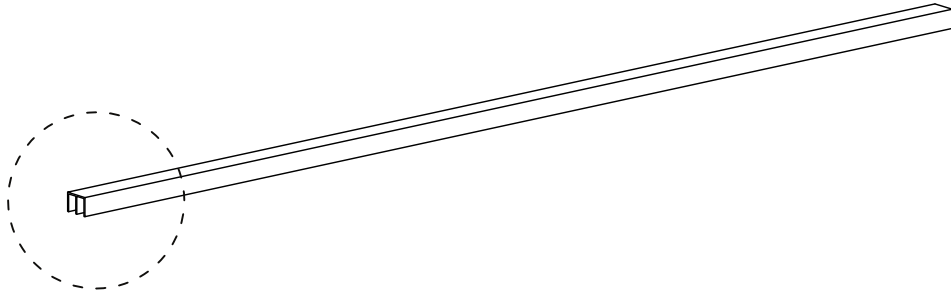
**We recommend installing your bottom track
on a hard floor and NOT on carpet.**



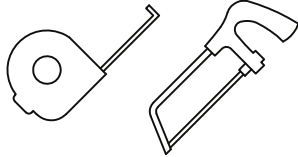
Tools Required



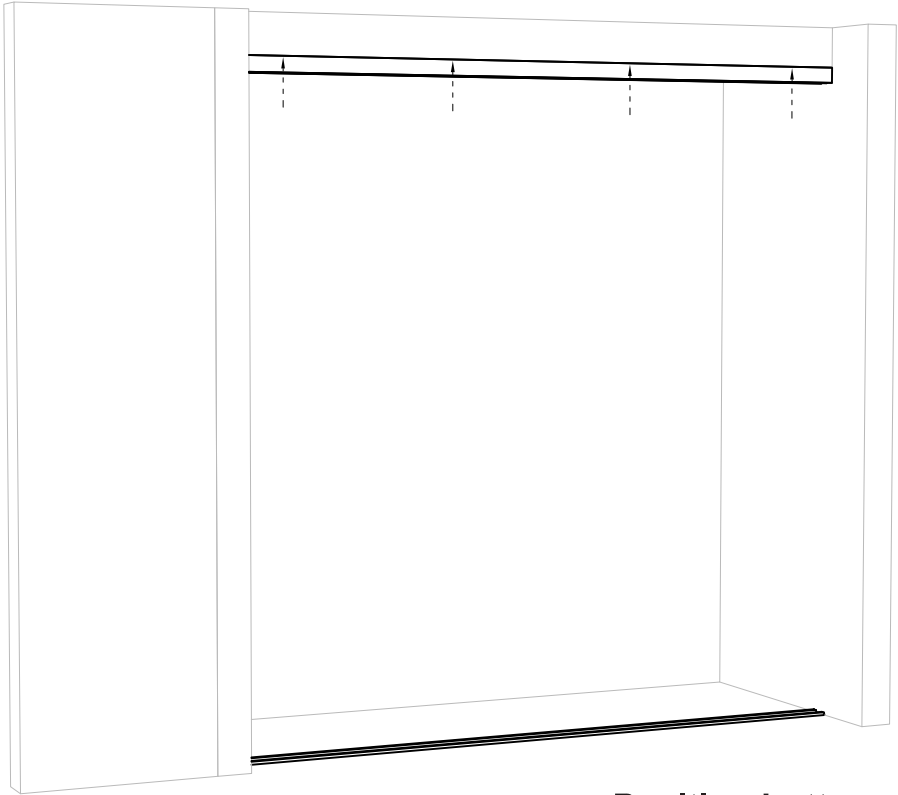
Step 01



Measure and cut
top and bottom tracks
to opening width



Step 02

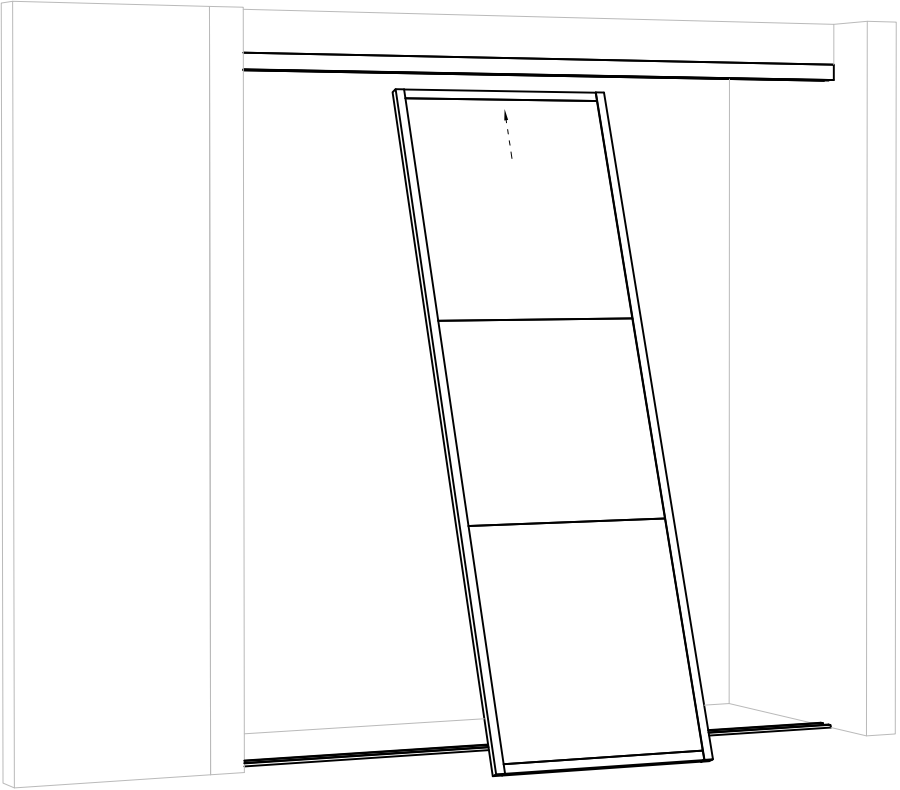


Fitting top track
screw equally across
width at desired depth

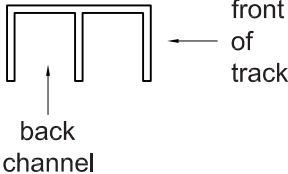
**Position bottom
track**
below top track

Note: Do not fix into place
at this stage

Step 03



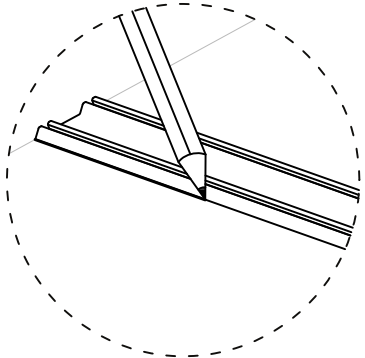
Insert door
into back channel
of top and bottom tracks



Step 04

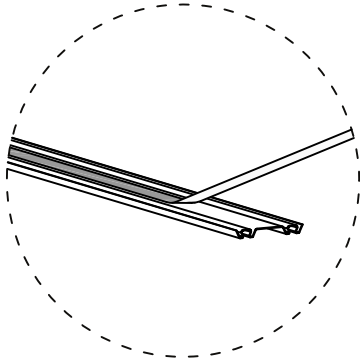
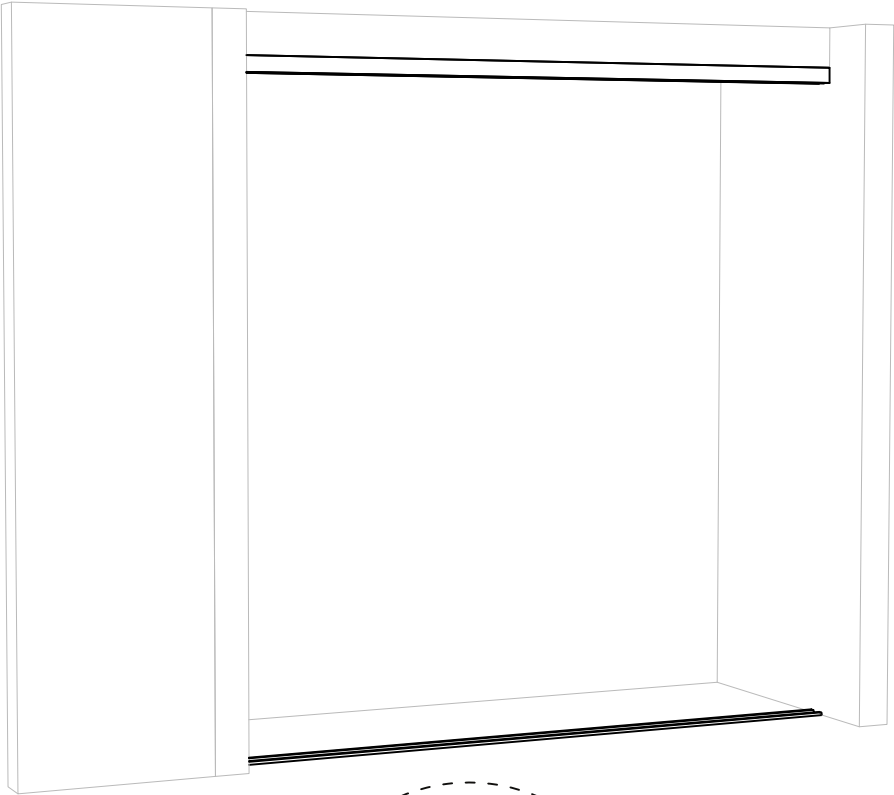


Position door
on both sides and
level up



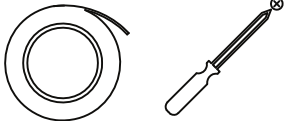
Mark position
on floor at both sides

Step 05

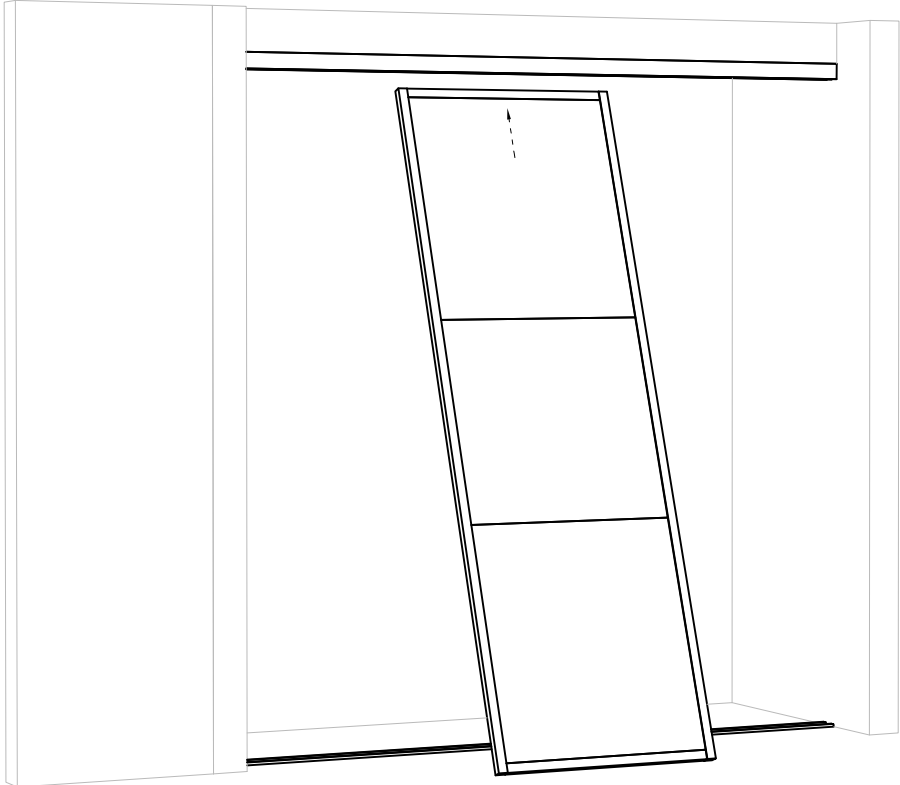


Fitting bottom track

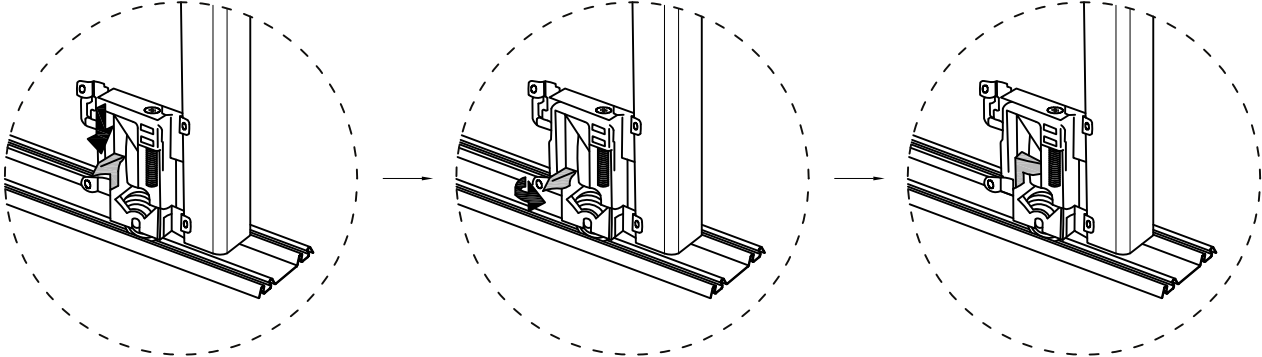
use double sided tape
or screw in place



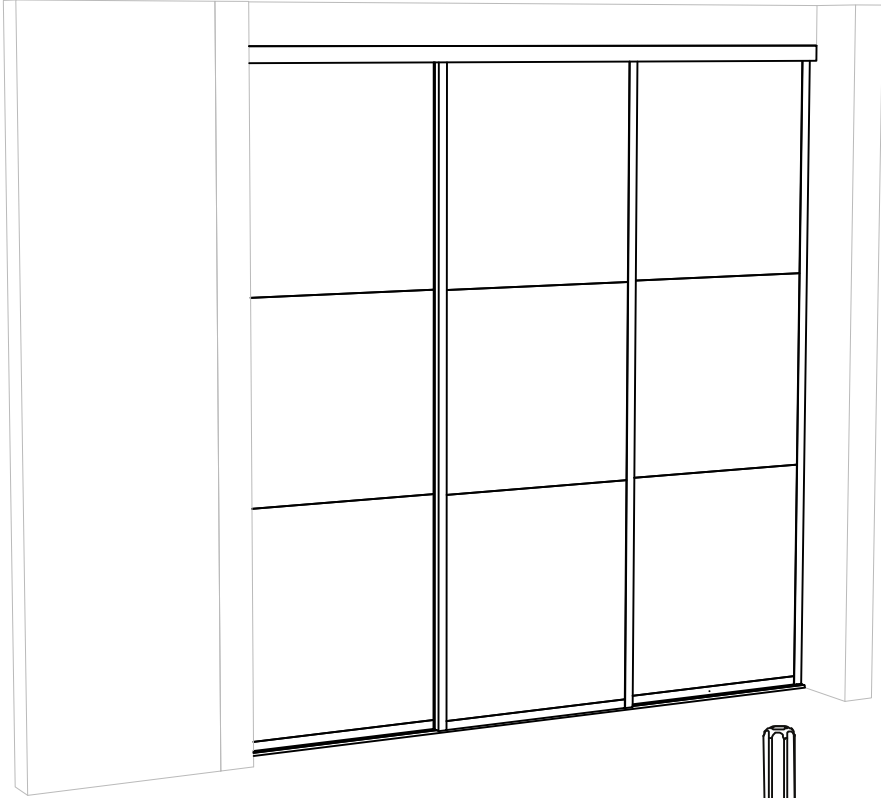
Step 06



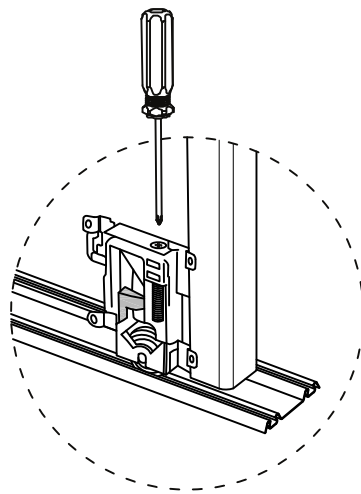
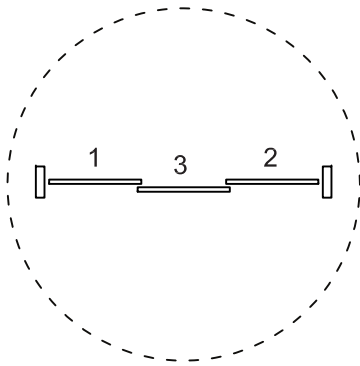
Apply anti-jump mechanism.



Step 07



Fitting order



Level doors
using adjusment screw
on both wheels