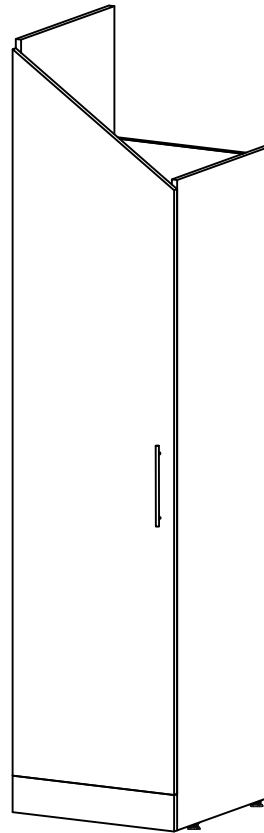


WARDROBE ASSEMBLY INSTRUCTIONS

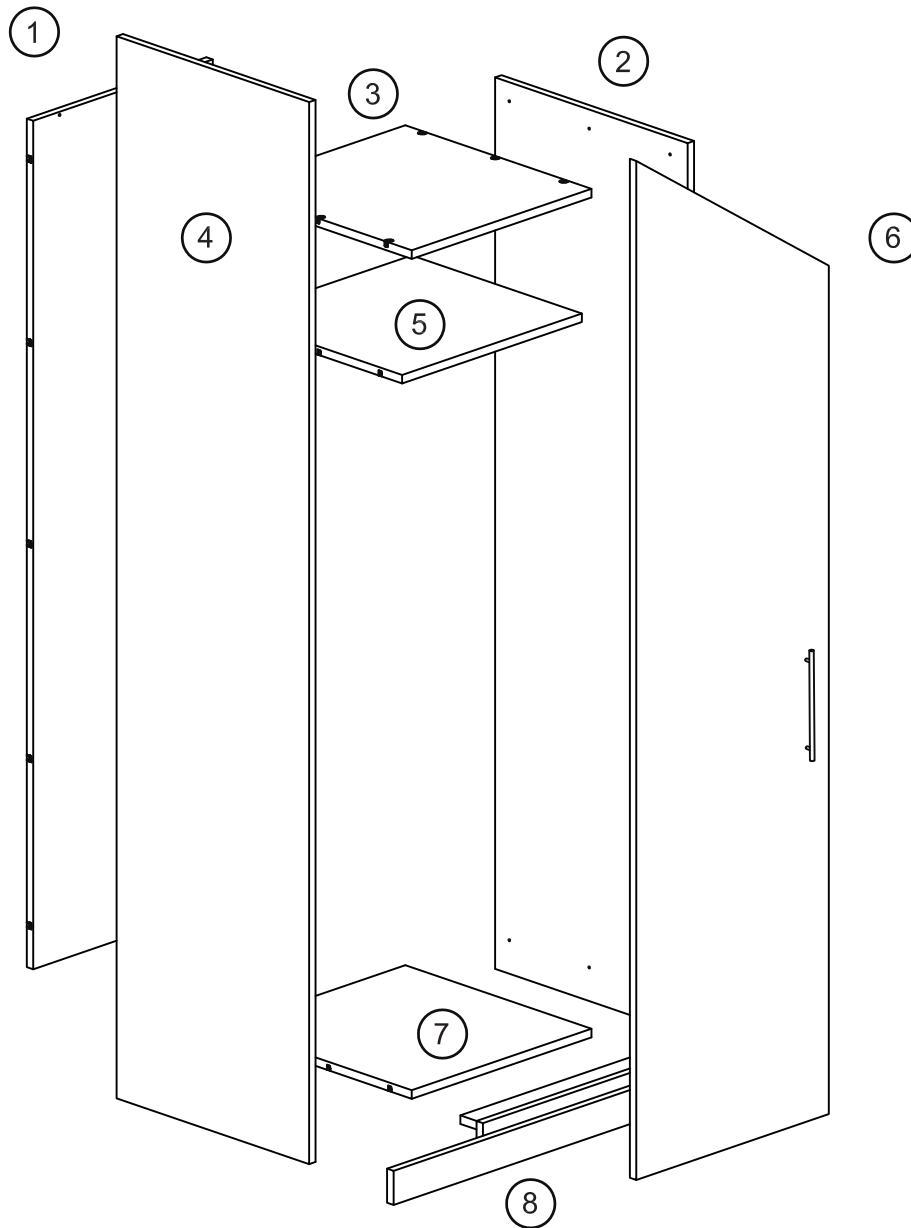
Please note: these instructions are generic for all of our cabinets and are not bespoke to your individual order.



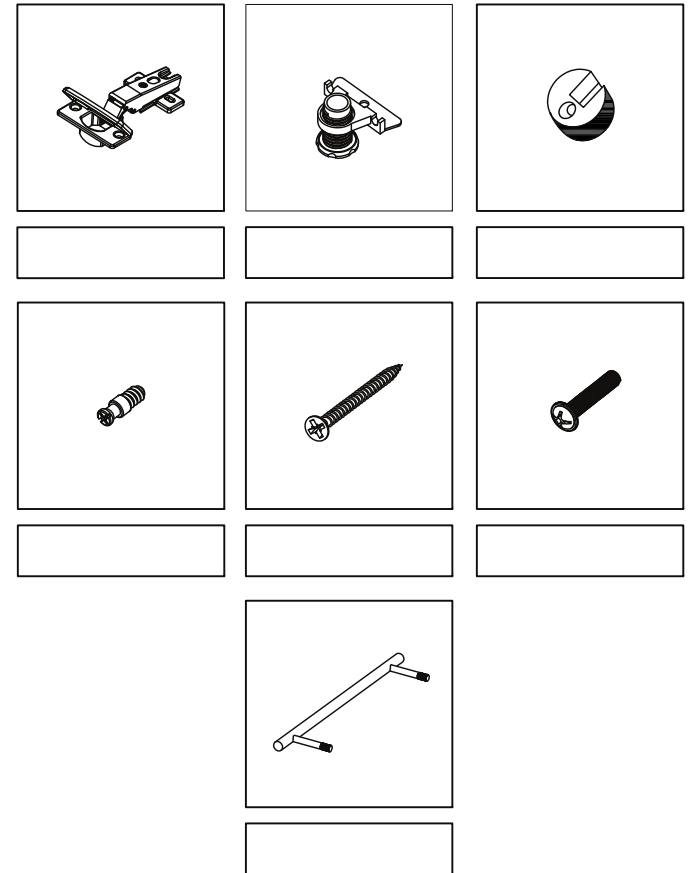
YOU MAY NEED:
SCREWDRIVER, CIRCULAR SAW, DRILL



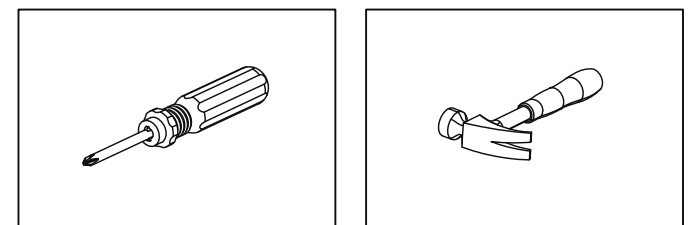
SOME ELEMENTS OF THE ASSEMBLY
MAY REQUIRE TWO PEOPLE



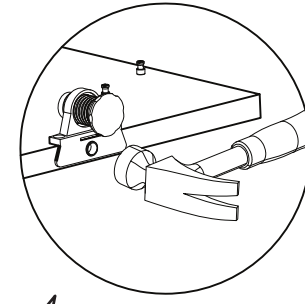
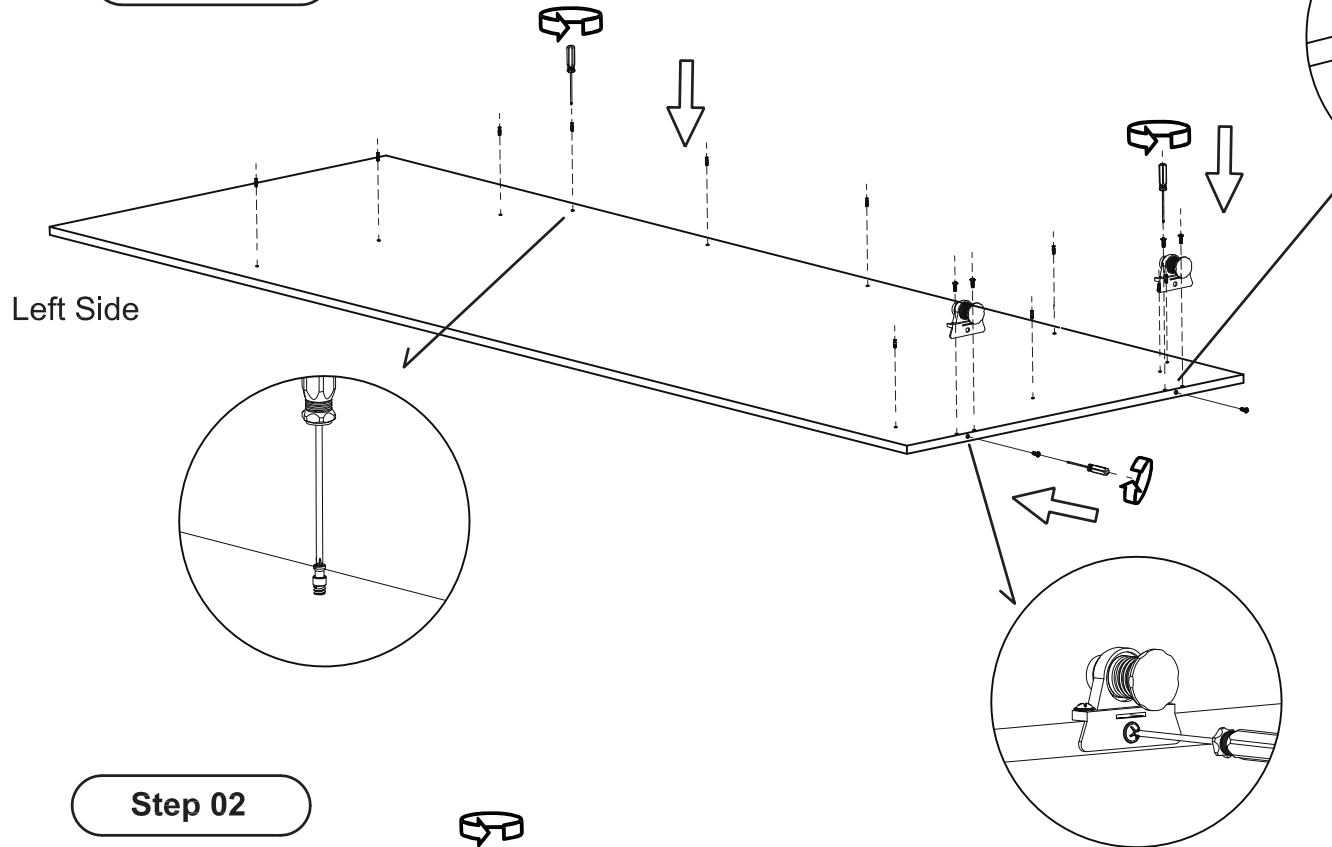
Required Parts



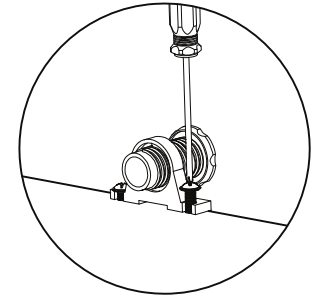
Tools Required



Step 01

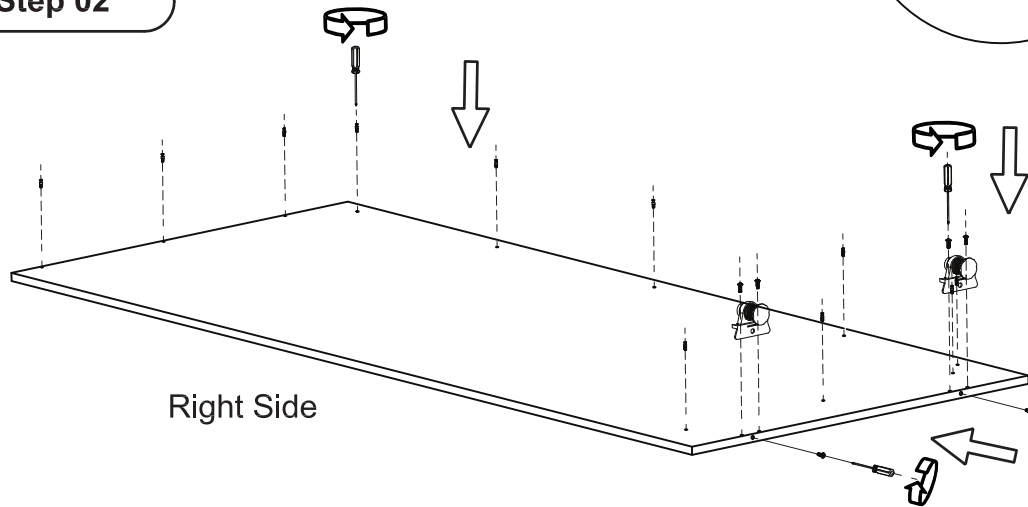


Step 1:
Hammer the
Leg in first

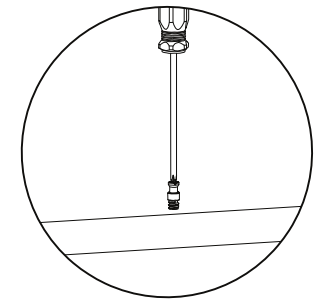
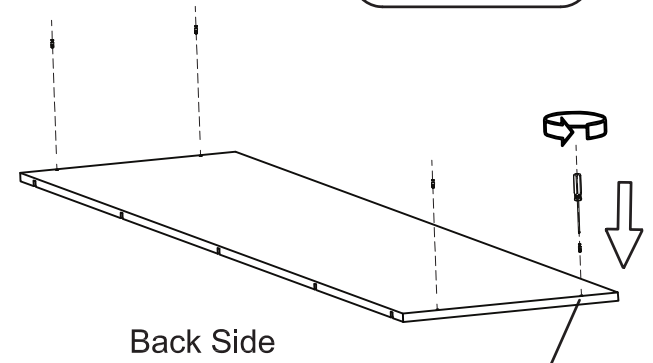


Step 2:
Screw it in
place

Step 02



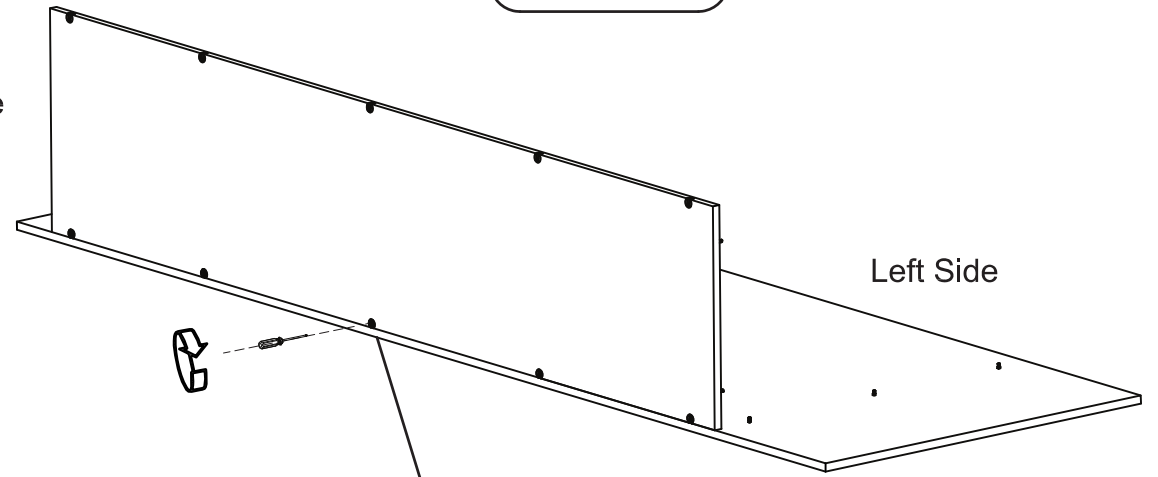
Step 03



Step 05

Back Side

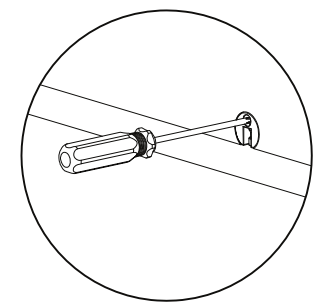
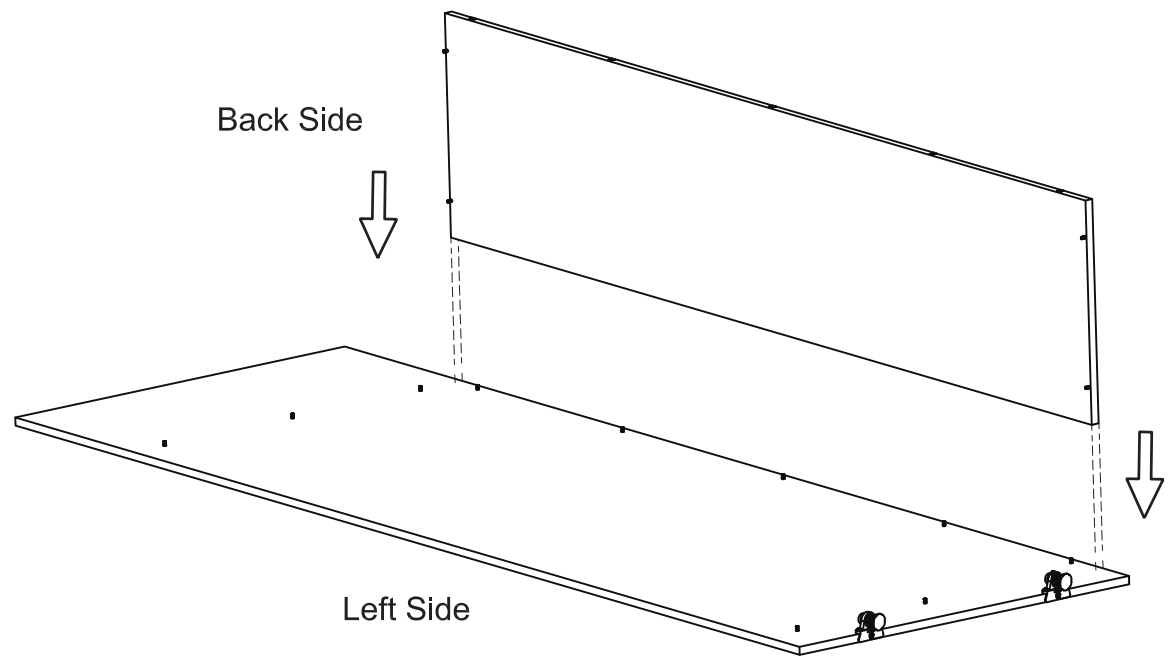
Left Side



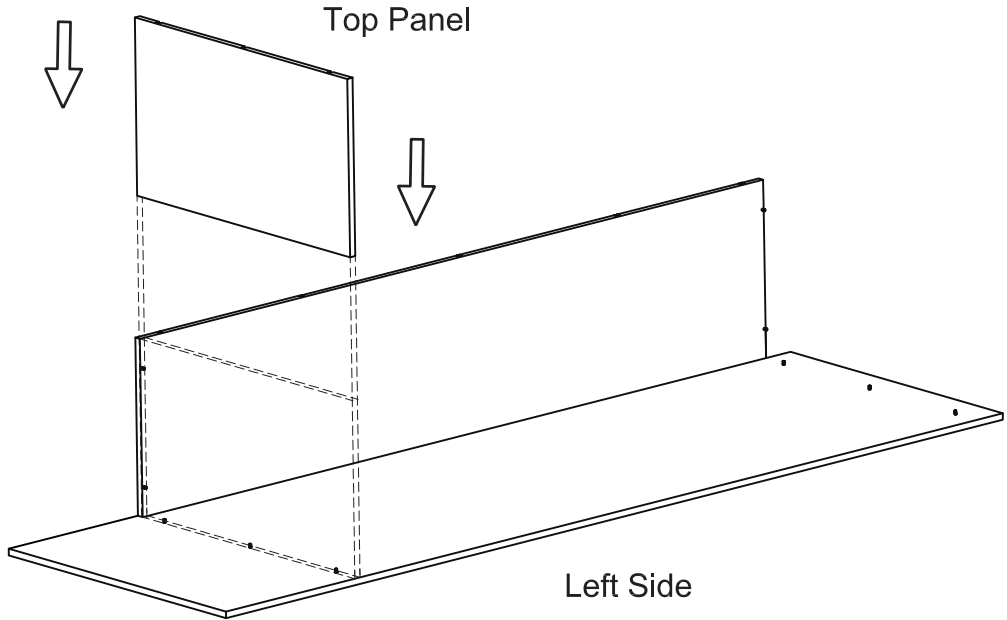
Step 04

Back Side

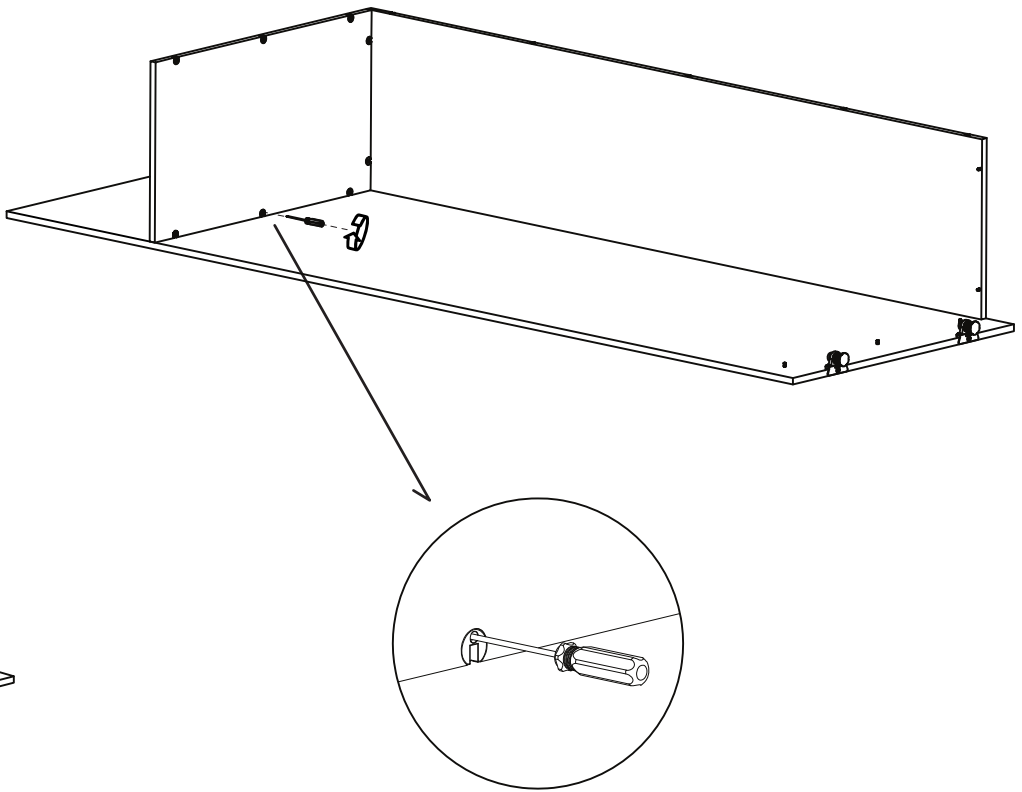
Left Side



Step 06

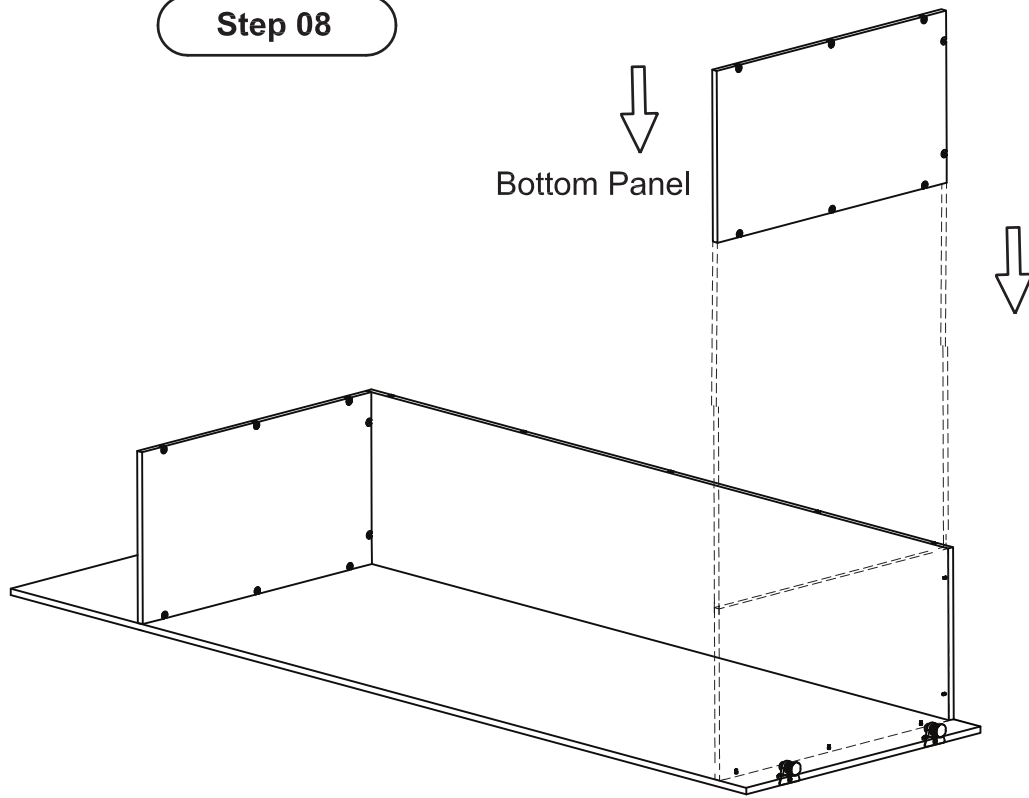


Step 07

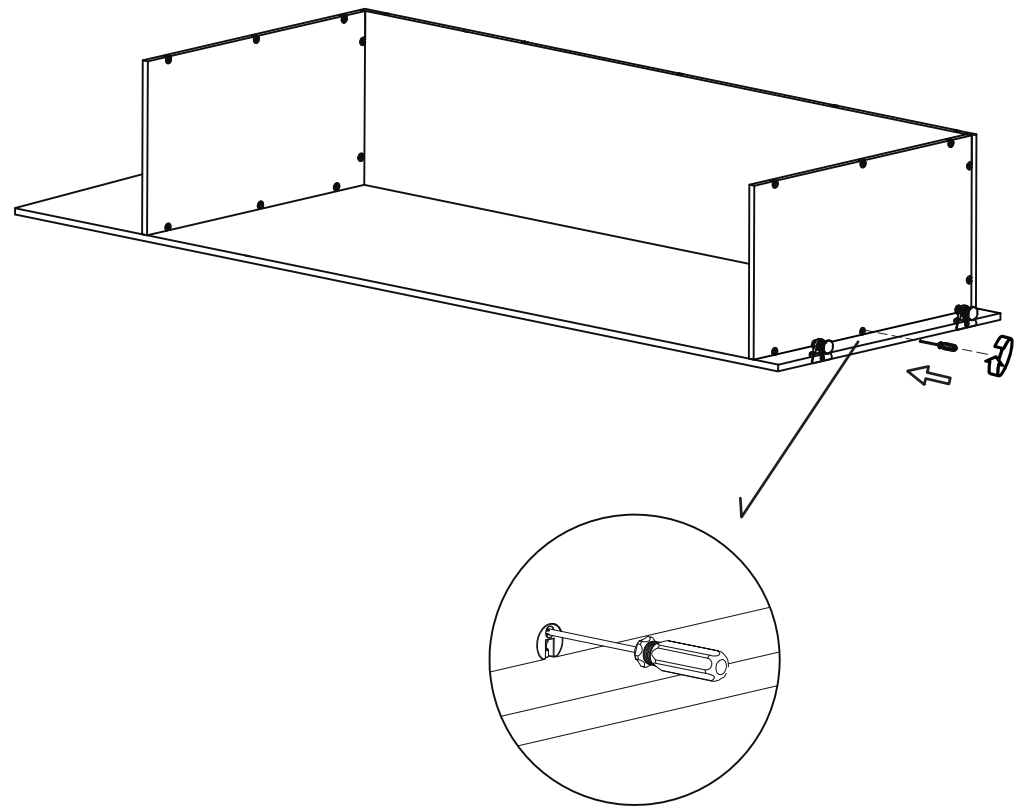


Step 08

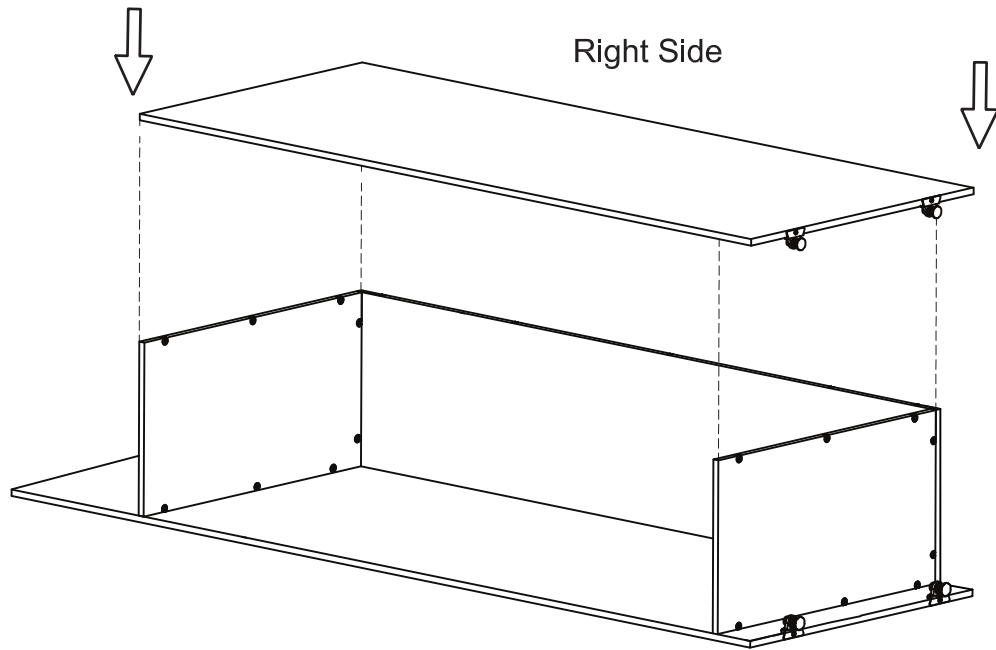
Bottom Panel



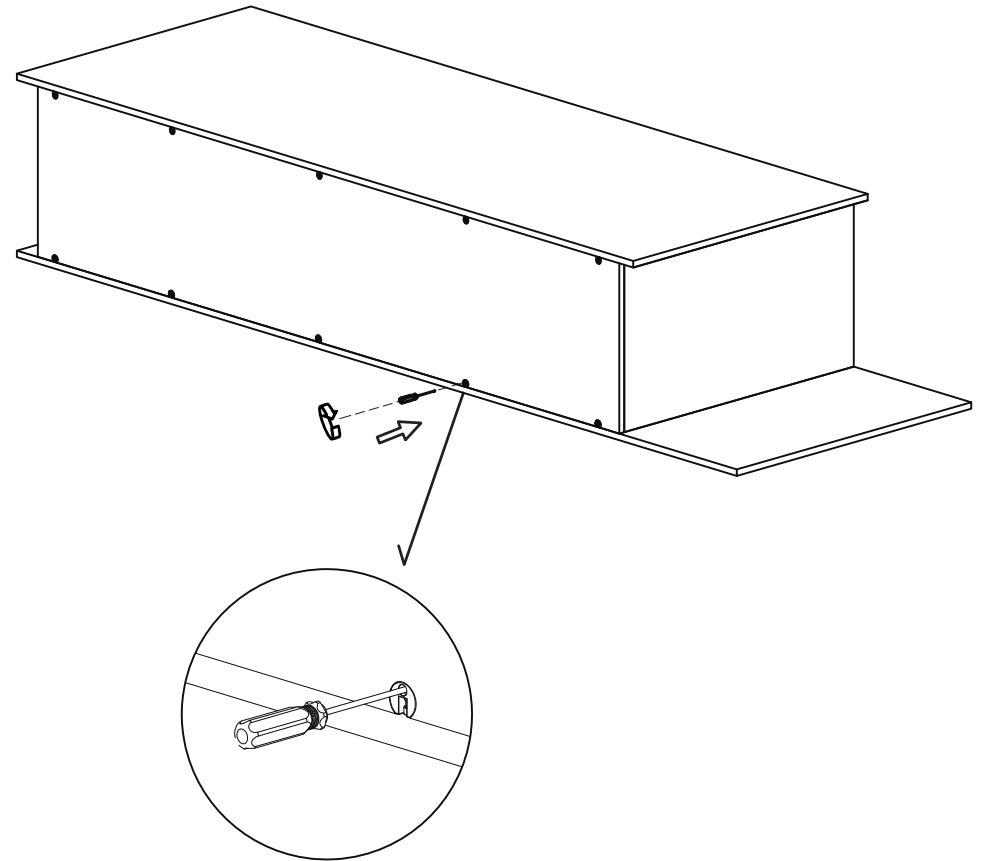
Step 09



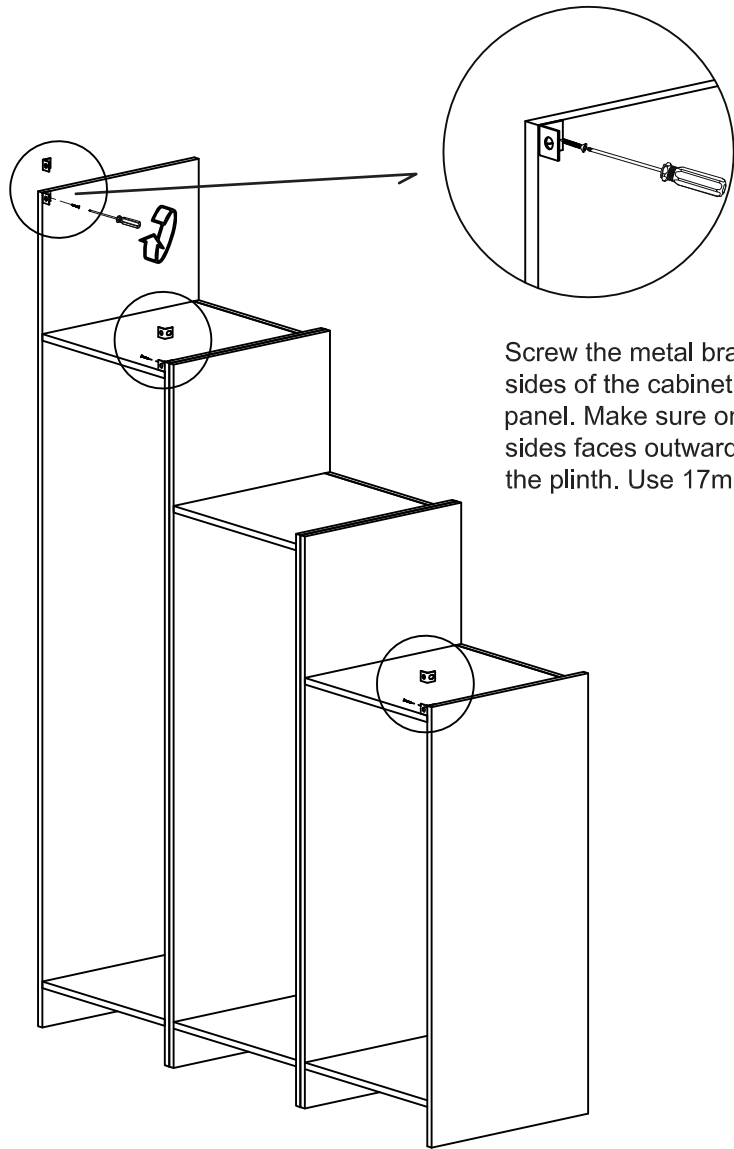
Step 10



Step 11

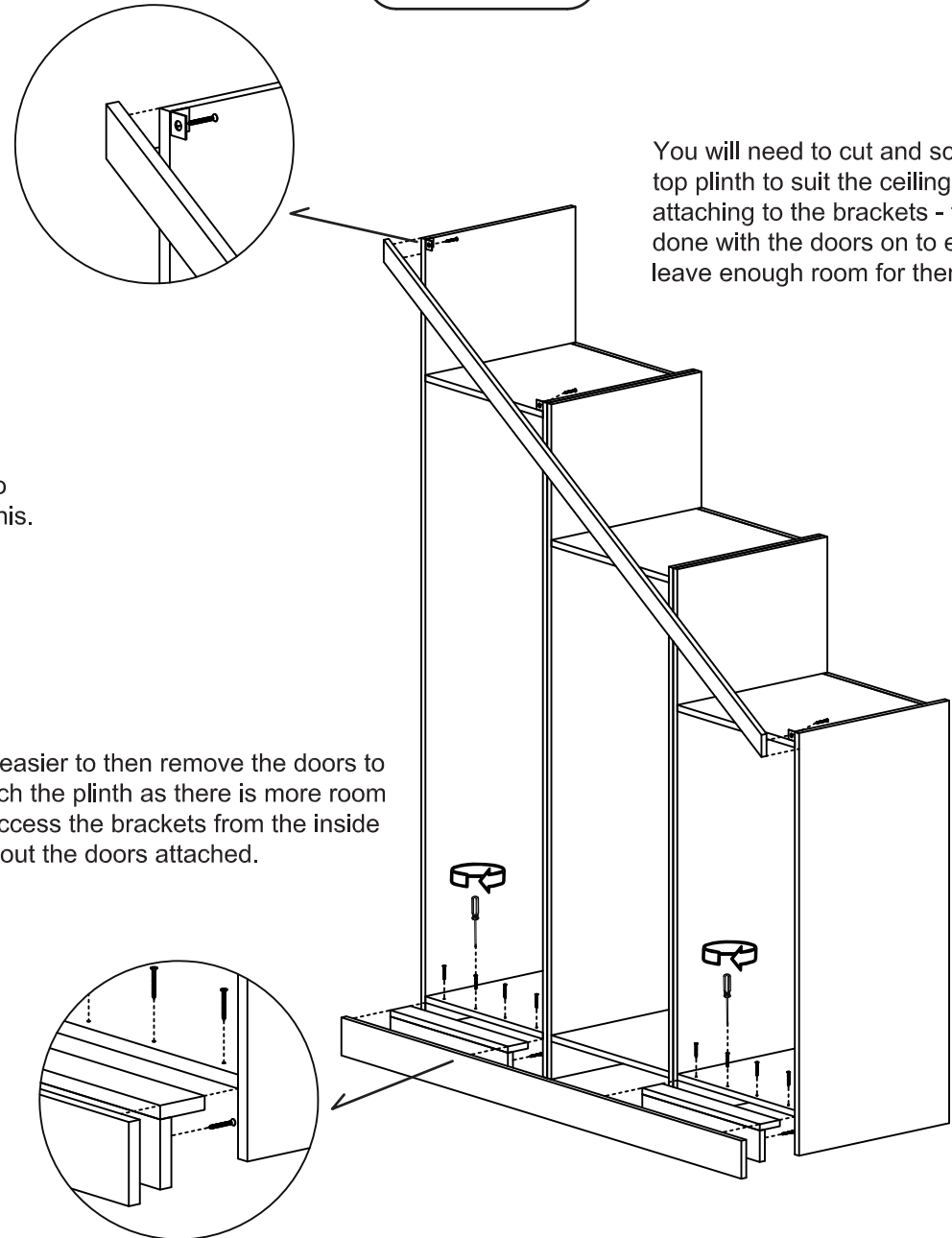


Step 12



Screw the metal brackets into the sides of the cabinet above the top panel. Make sure one of the flat sides faces outwards to connect to the plinth. Use 17mm screws for this.

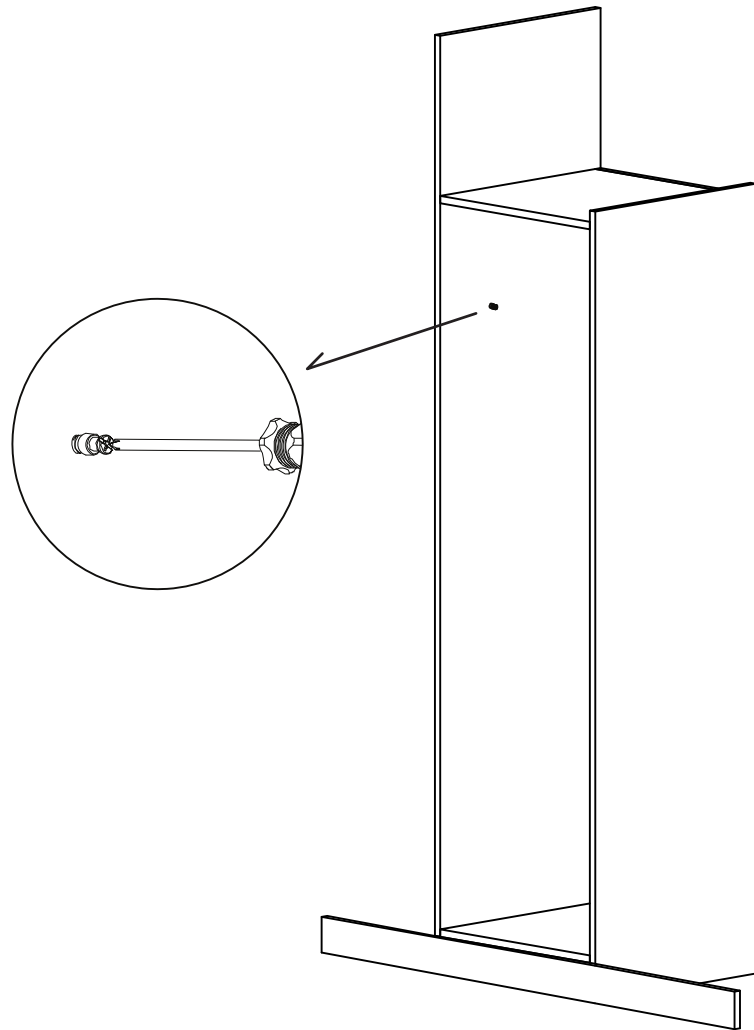
Step 13



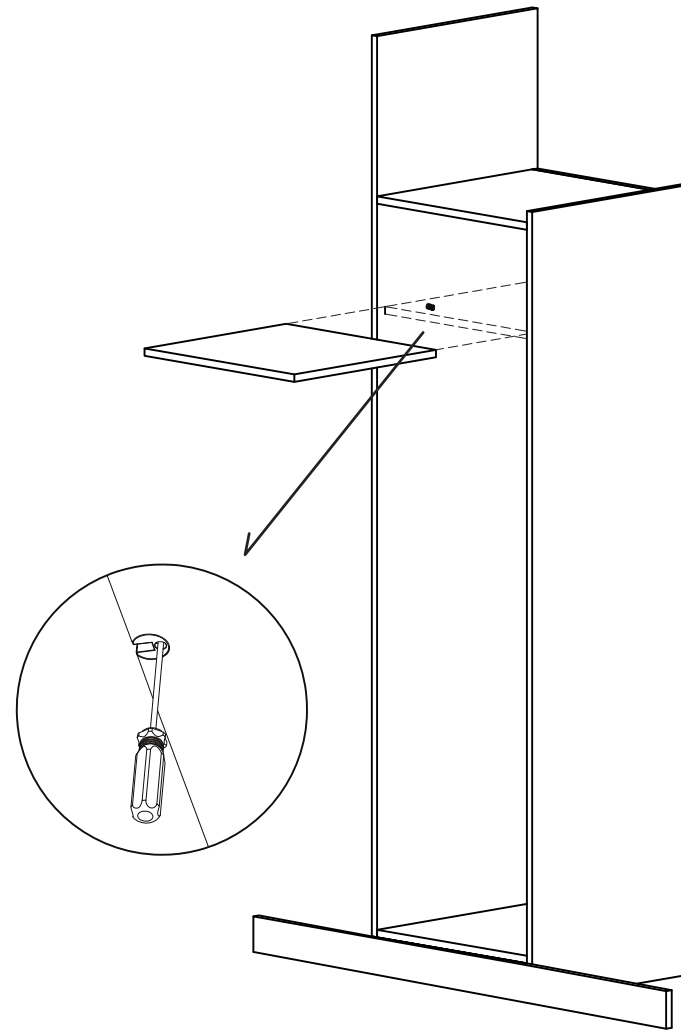
You will need to cut and scribe your top plinth to suit the ceiling before attaching to the brackets - this is best done with the doors on to ensure you leave enough room for them to open.

It is easier to then remove the doors to attach the plinth as there is more room to access the brackets from the inside without the doors attached.

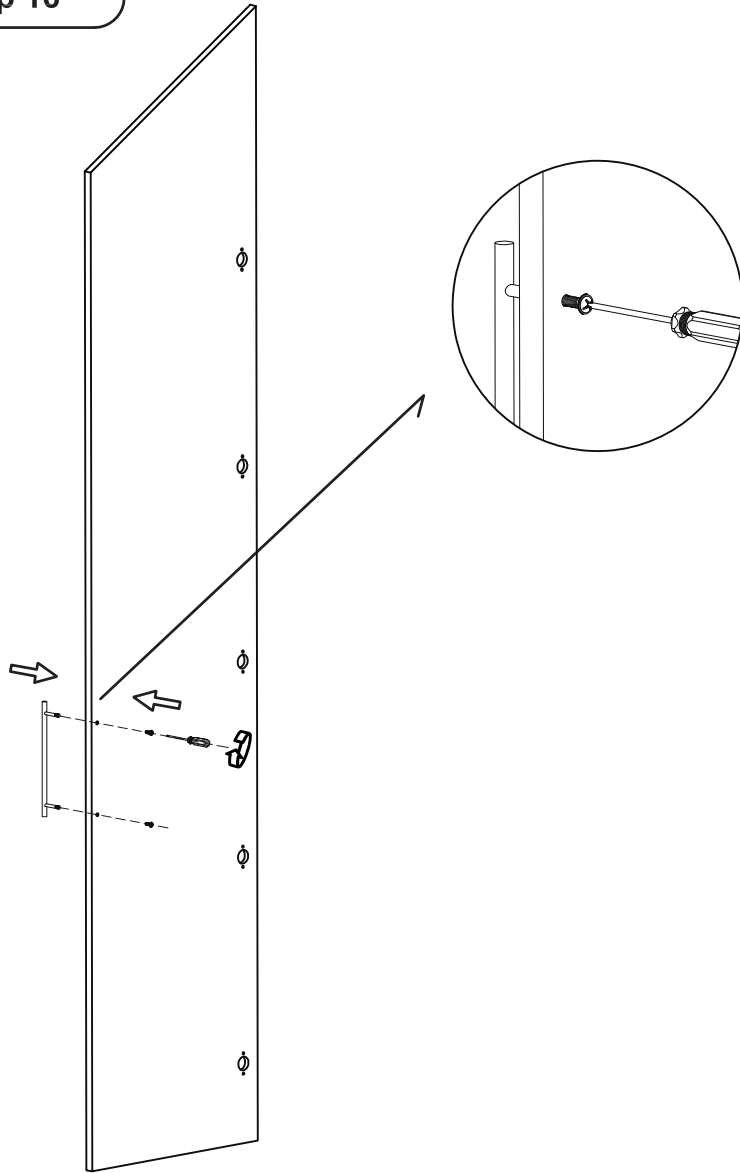
Step 14



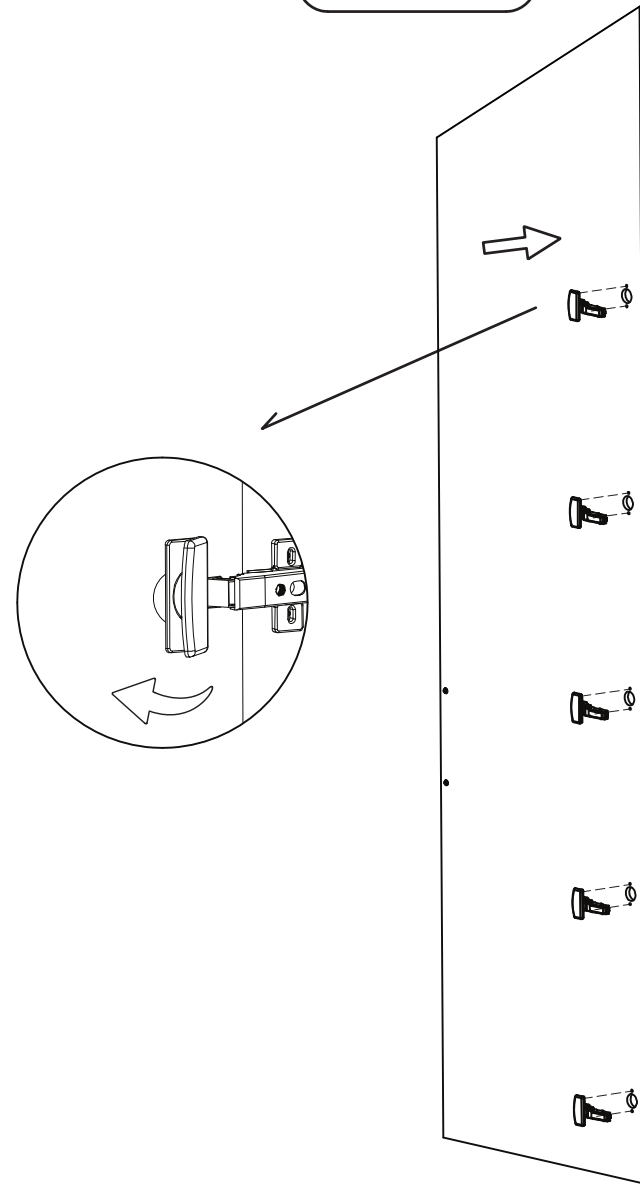
Step 15



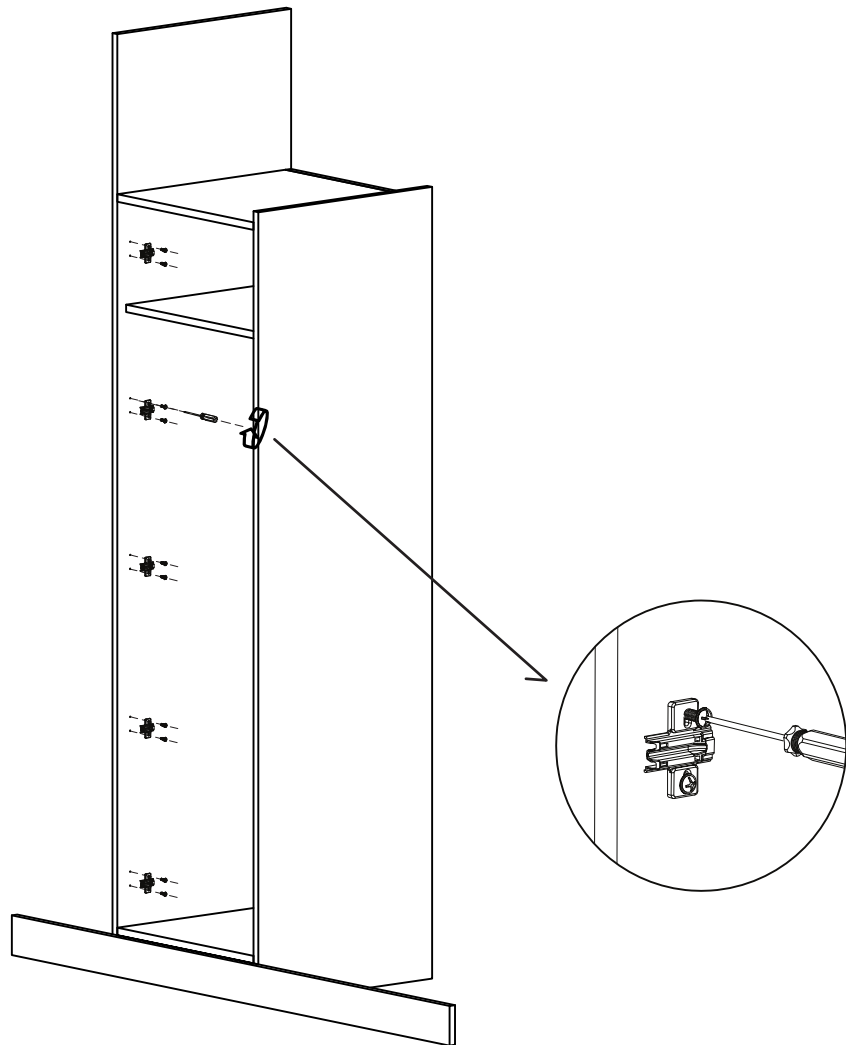
Step 16



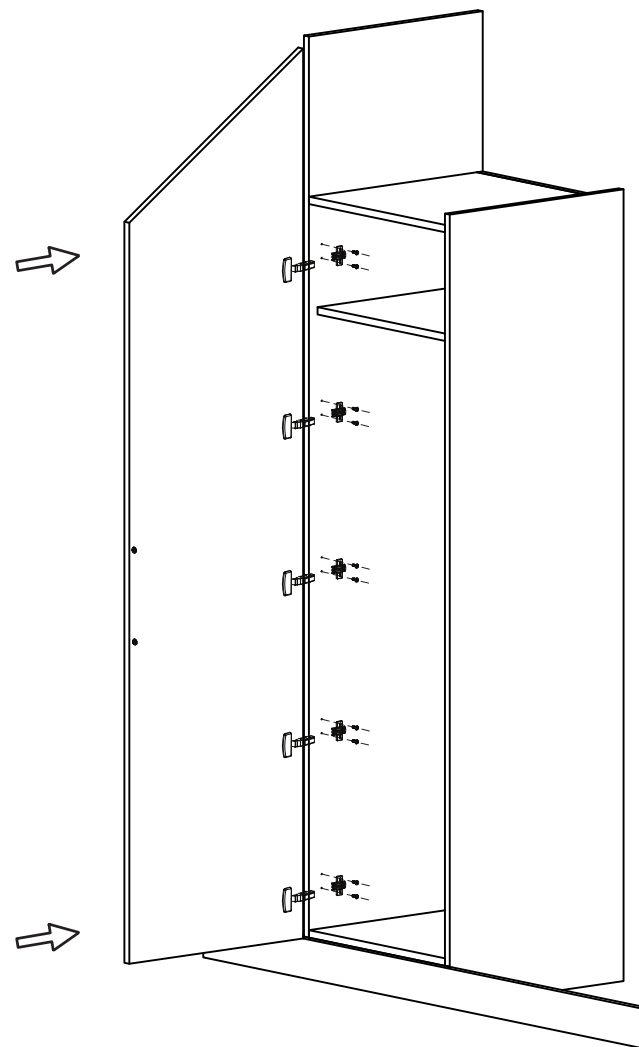
Step 17



Step 18

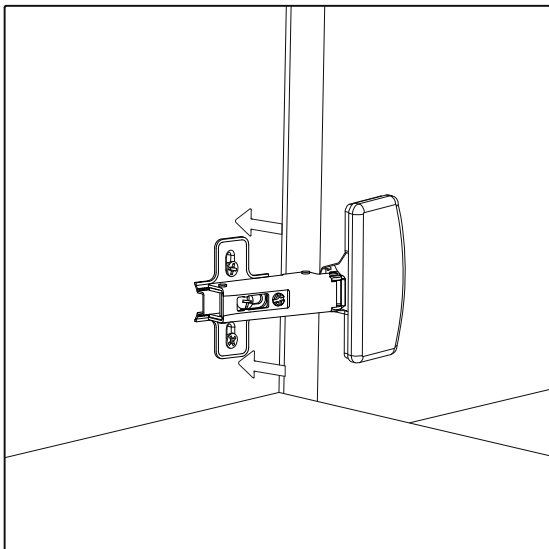


Step 19

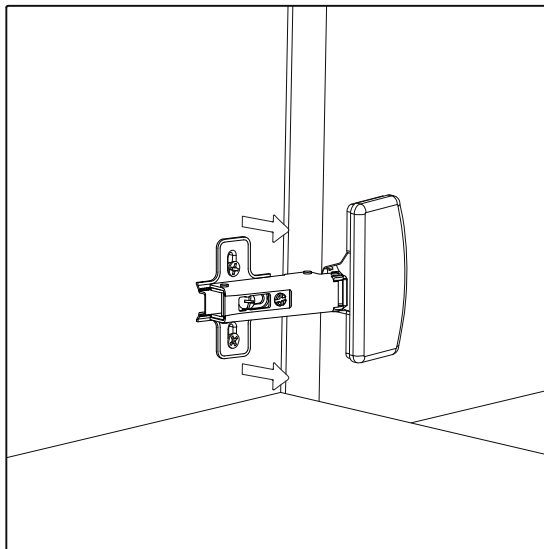


Step : Attaching the Door

Step 1

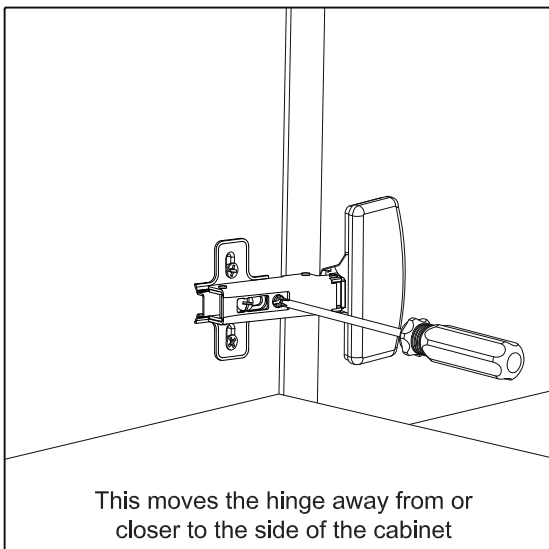


To remove the Door

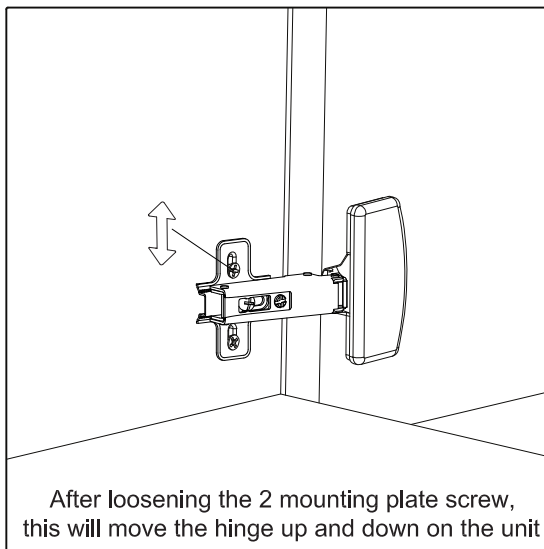


Step : Door Adjustment

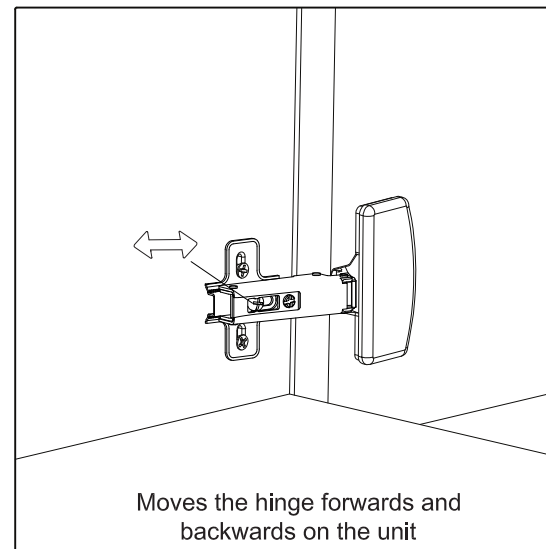
Step 1



Step 2



Step 3





ONLINE
Bedrooms

Wardrobe | Instruction Manual

©2022 Pb Design Studio.