

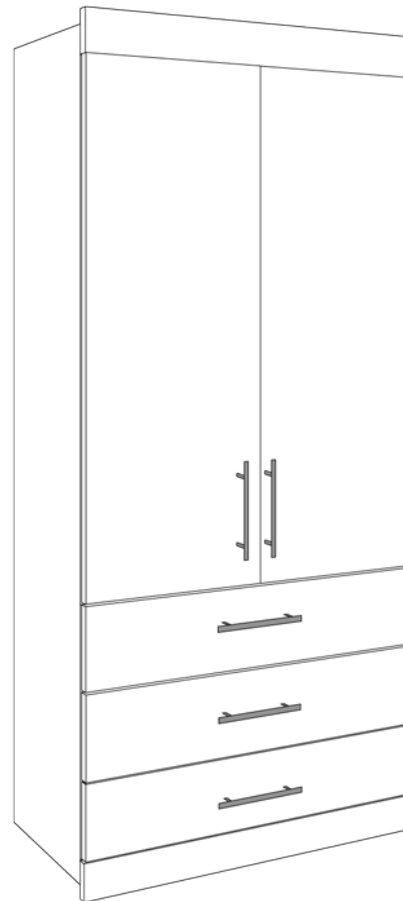
WARDROBE ASSEMBLY INSTRUCTIONS

Please note: these instructions are generic for all of our cabinets and are not bespoke to your individual order.

VIDEO INSTRUCTIONS



POINT YOUR SMARTPHONE
CAMERA HERE!



SOME ELEMENTS OF THE ASSEMBLY
MAY REQUIRE TWO PEOPLE

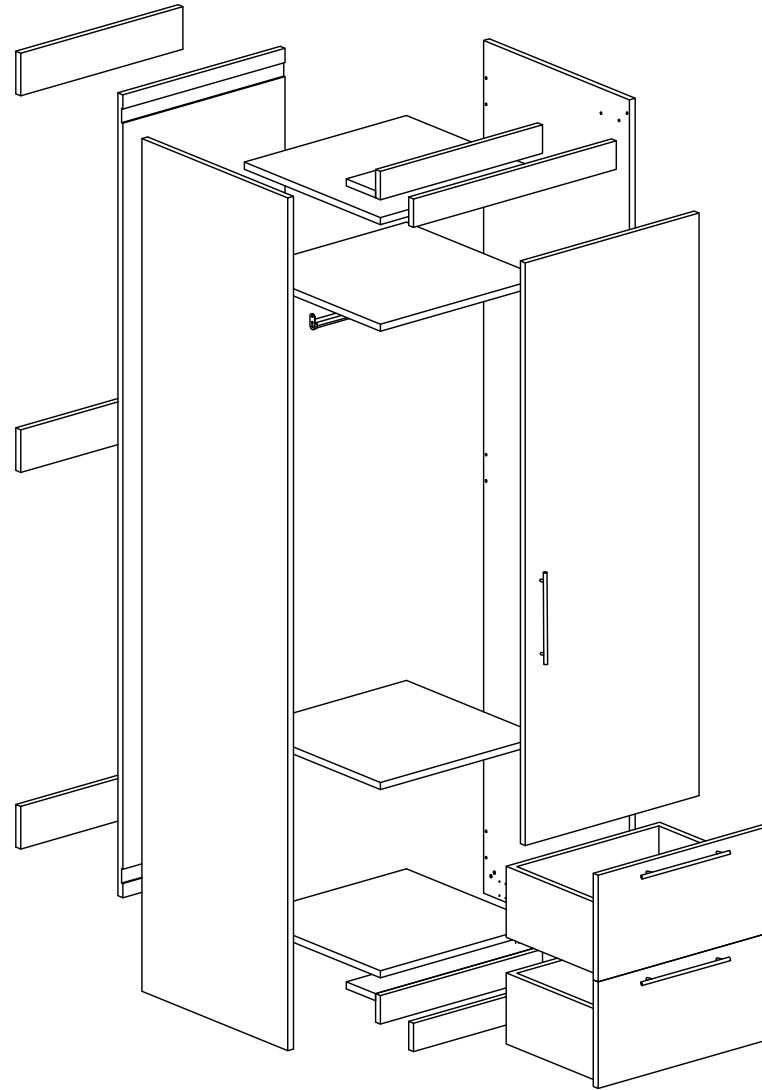
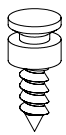
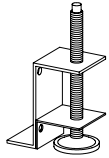


YOU MAY NEED:
SCREWDRIVER, CIRCULAR SAW, DRILL

ASSEMBLY INSTRUCTIONS

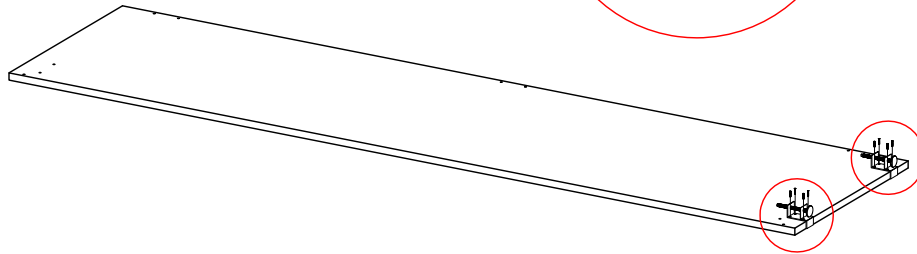
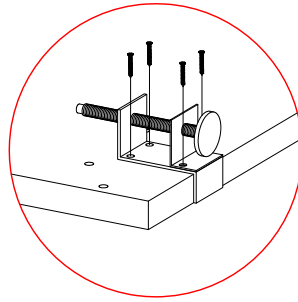
HARDWARE

PART

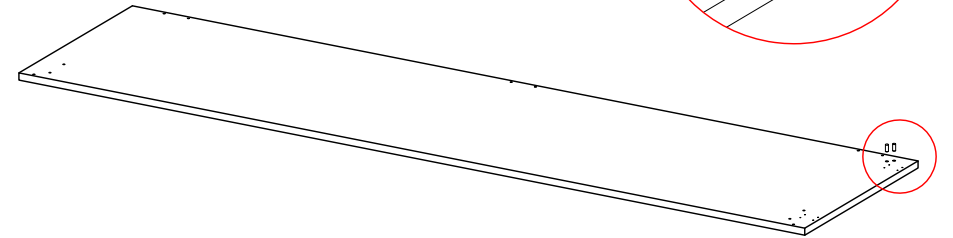
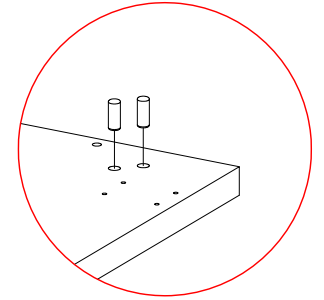


ASSEMBLY INSTRUCTIONS

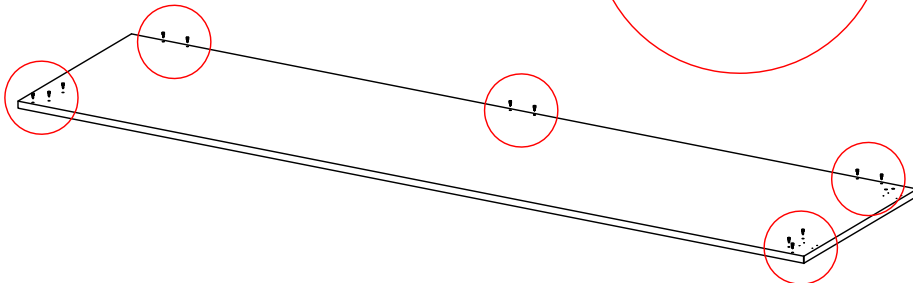
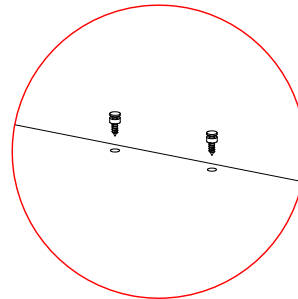
STEP 1
Screw legs onto side panel



STEP 2
Push 8mm dowels into 8mm holes on side panel



STEP 3
Screw cam pins into 12 holes shown



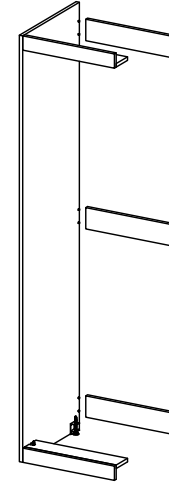
STEP 4
Repeat for other side panel

ASSEMBLY INSTRUCTIONS

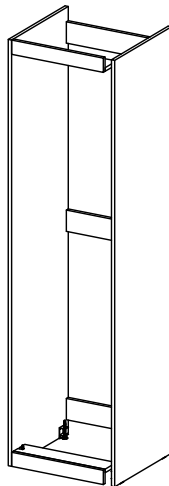
STEP 5
With left side upright
Attach 2 x L-shaped braces to front cam pins



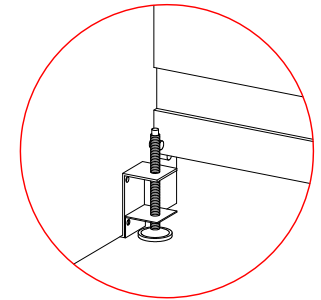
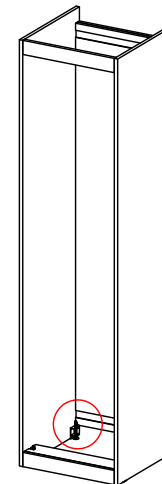
STEP 6
Fix 3 x Flat rear braces into cam pins at rear



STEP 7
Attach right side to create the wardrobe frame



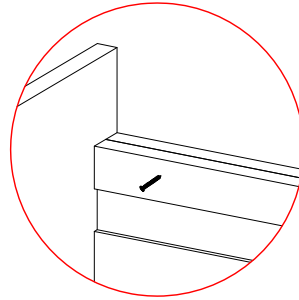
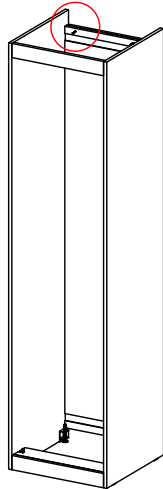
STEP 8
Fit the wardrobe back by locating the bottom
onto the dowels and tipping upright against rear braces



ASSEMBLY INSTRUCTIONS

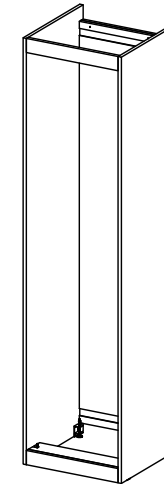
STEP 9

Fix back into place with 2 x 30mm screws through the holes in top edge of the back



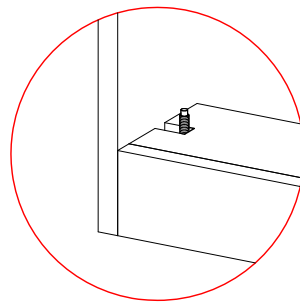
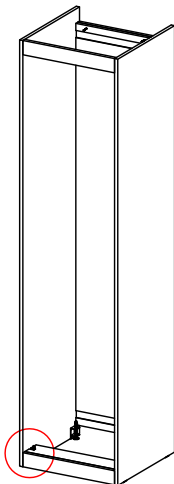
STEP 10

Move wardrobe into exact place that it will be fixed & level wardrobe using a spirit level



STEP 11

Use a screwdriver to adjust the legs ensure that the top of the legs is below the level of the brace at the front and the groove in the back panel



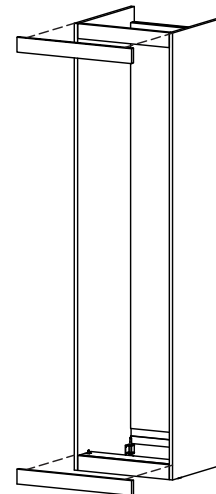
STEP 12

Fix wardrobe to the wall using the appropriate fixing method ensuring that the wardrobe is square and level

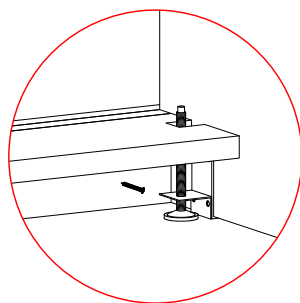
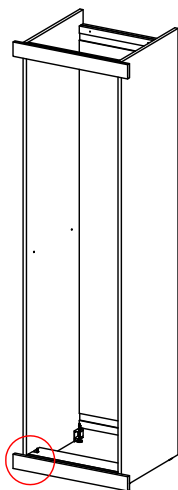
ASSEMBLY INSTRUCTIONS

STEP 13
Repeat this process for all additional wardrobes fixing them to each other and the wall as you build them.
Do not move onto next stage until you have done this

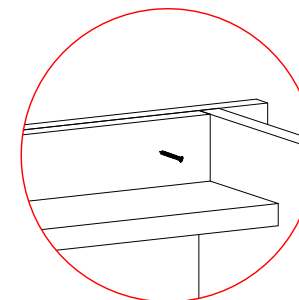
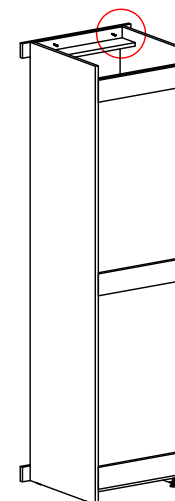
STEP 14
Once you have all wardrobe shells built and fixed to the wall
Cut and scribe top and bottom plinths to suit the ceiling and floor



STEP 15
Clamp bottom plinth to the L-shaped brace and screw plinth to the brace from the inside



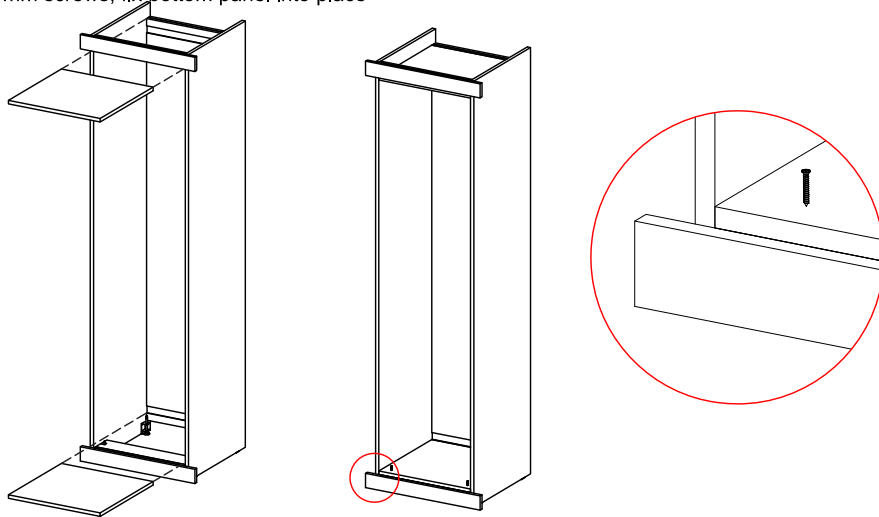
STEP 16
Repeat the process on the top plinth
(Note: Screw holes in the L-shaped brace)



ASSEMBLY INSTRUCTIONS

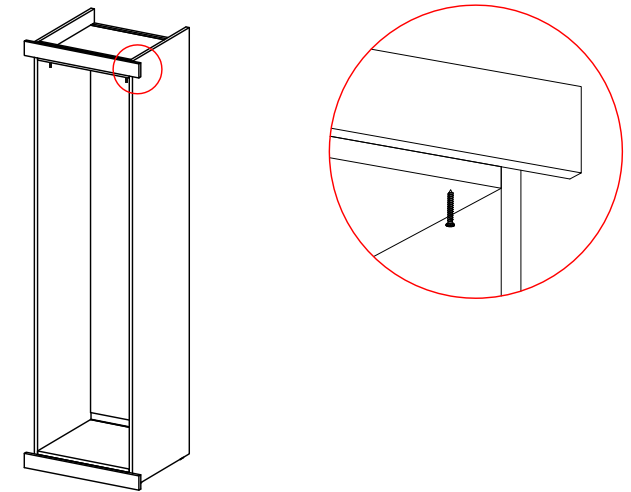
STEP 17

Slide bottom panel into the groove in the back panel and lay flat on the front brace (Note: Screw holes to the front)
Using 40mm screws, fix bottom panel into place



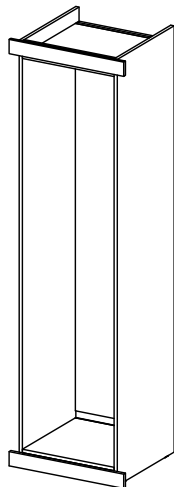
STEP 18

Repeat the process on the top panel



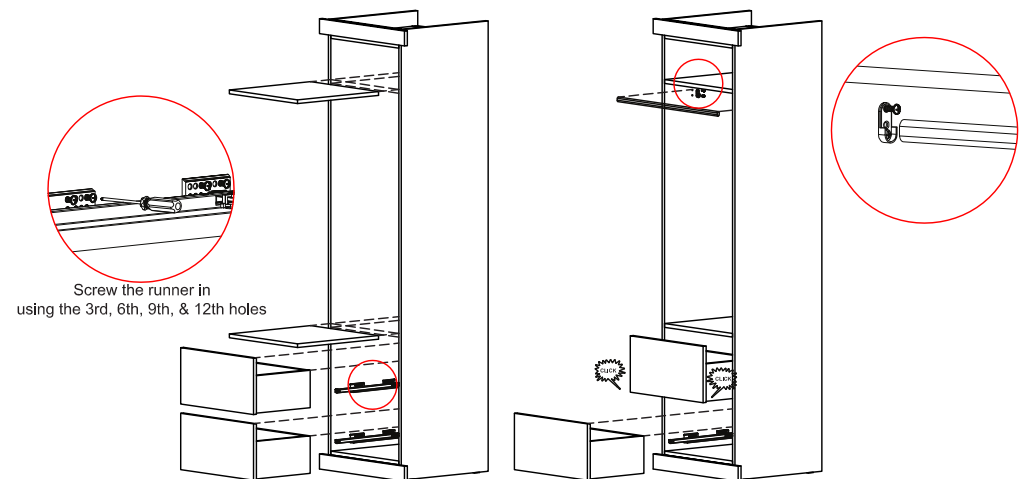
STEP 19

Wardrobes are now built.
holes will be different for each internal configuration,
depending on options purchased



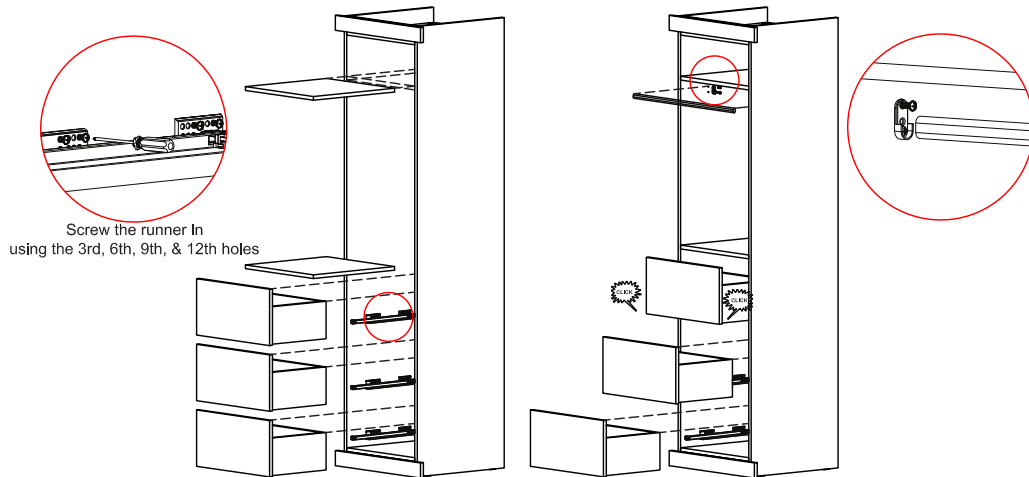
STEP 20

Assembly Options With 2 Drawers

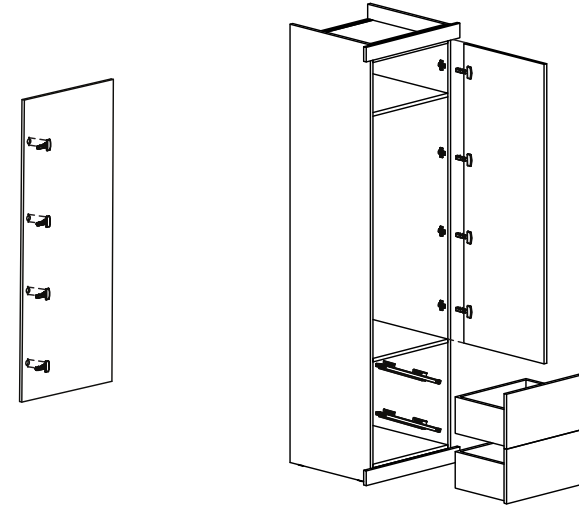


ASSEMBLY INSTRUCTIONS

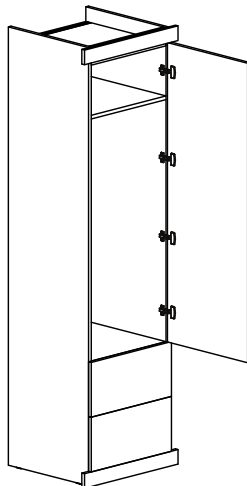
STEP 21 Assembly Options With 3 Drawers



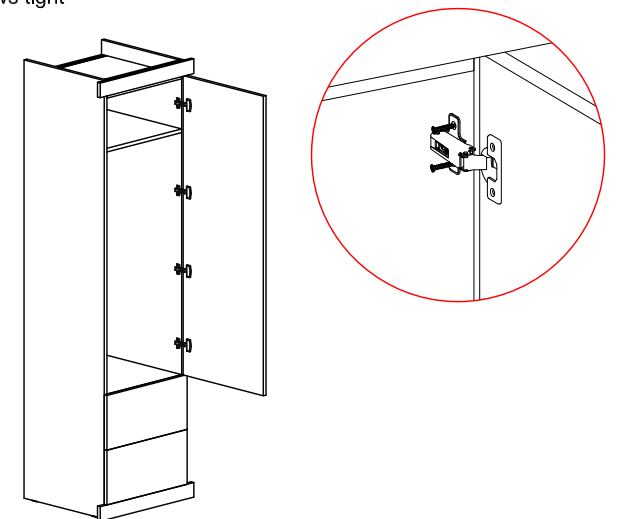
STEP 22 Finally - Fit the doors. Fix hinges to the doors. Insert hinge into door and fold the cover plate down to lock into place



STEP 23 Mount the door by lifting into place and fitting the white plugs of the mounting plate into the holes for the hinges



STEP 24 Ensure that the mounting plates are fitting fully flush into the cabinet before driving the screws tight



ASSEMBLY INSTRUCTIONS

COMPLETE

