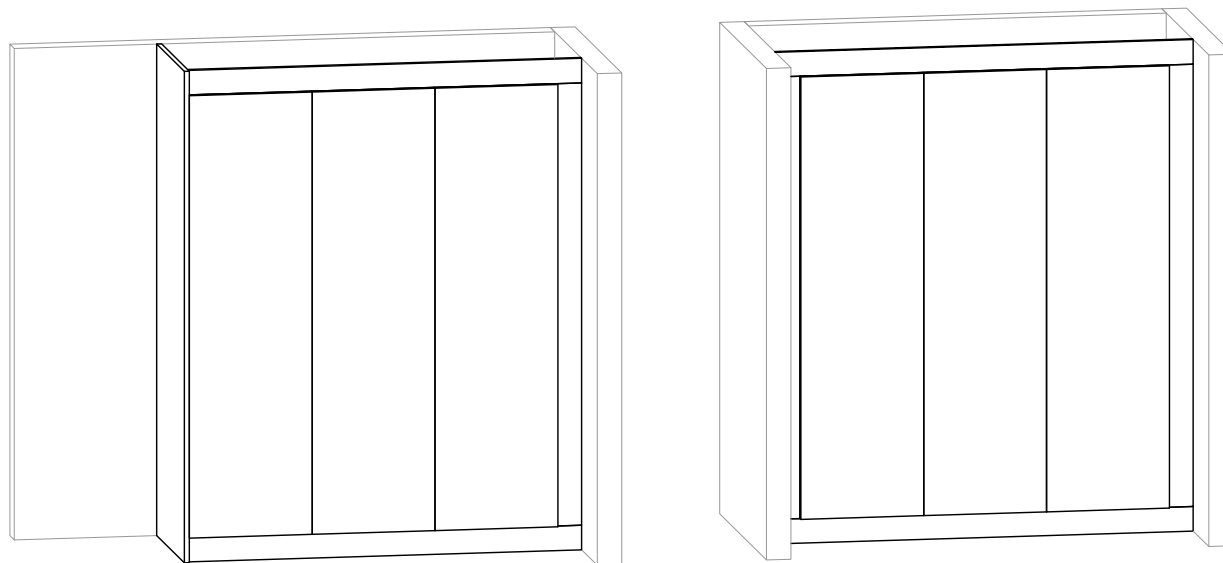


**FACE FRAME WARDROBE
ASSEMBLY INSTRUCTIONS.**



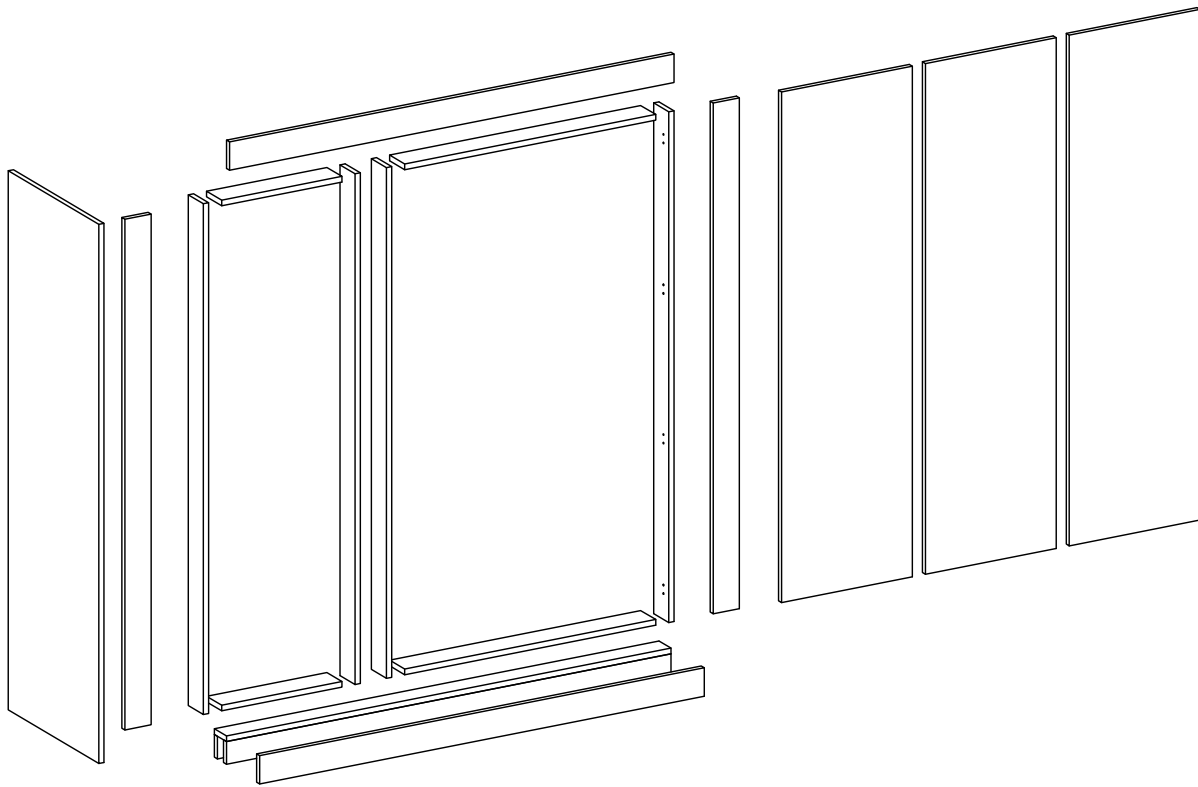
! Build any internal units as per the separate instructions before fitting the frames

BUILD ORDER

1. Make a cup of tea (or coffee!)
2. Assemble any internal cabinets that you may have but do not fix them to the wall
3. Build your frames and fix them to the wall
4. Fit the doors onto the frames
5. Move the internal cabinet(s) to your preferred position, suiting your door opening(s)
6. Fix the cabinets to the wall for safety
7. Trim your rails to suit your requirements and fix to the cabinets & wall using supplied brackets
8. Stand back, admire your work and take photos to send to us!

NEED HELP? CALL US ON 0115 718 0322 OR SCAN THE QR CODE BELOW TO SEE THE VIDEO ASSEMBLY GUIDE





Parts



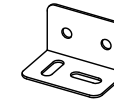
30mm Screws



40mm Screws



17mm Screws



Large L Bracket

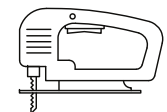
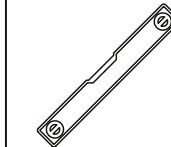
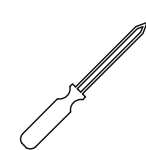
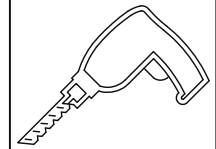
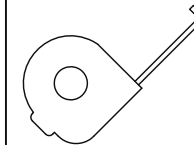
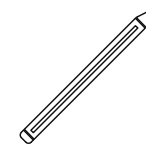


Small L Bracket



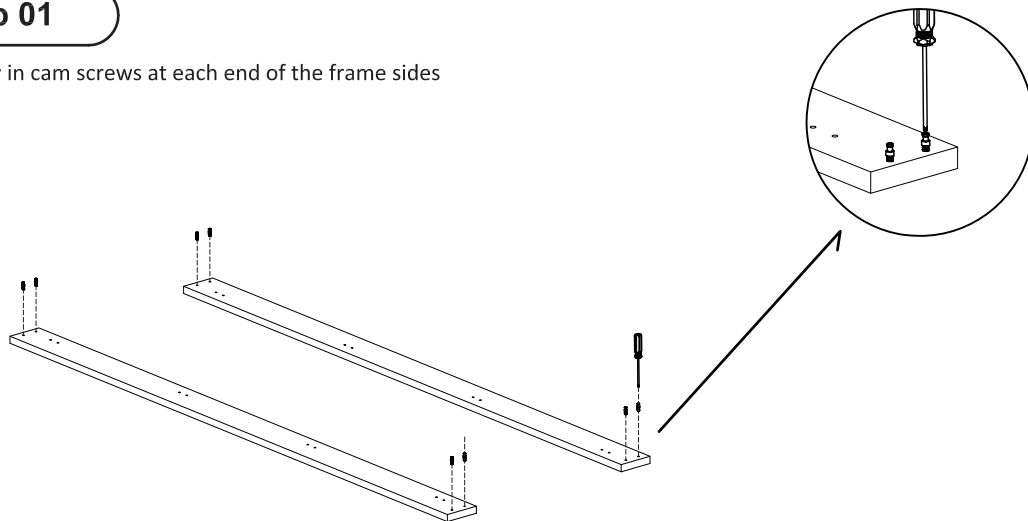
Cam Screws

Tools Required



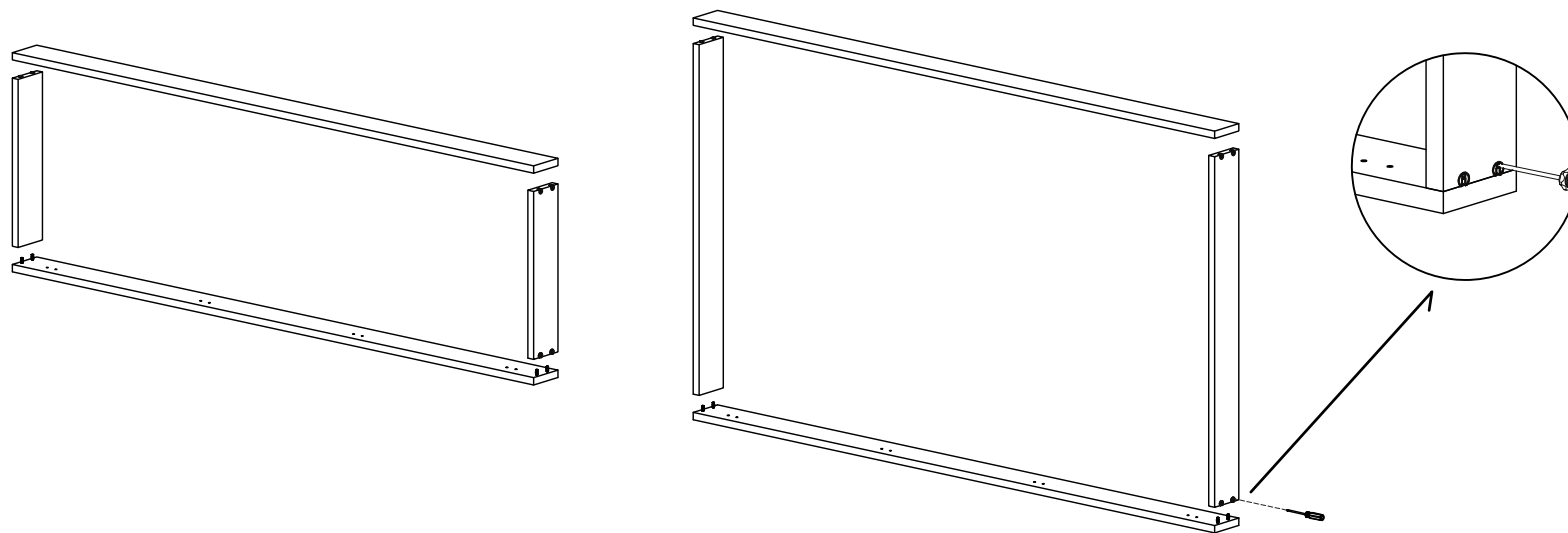
Step 01

Screw in cam screws at each end of the frame sides



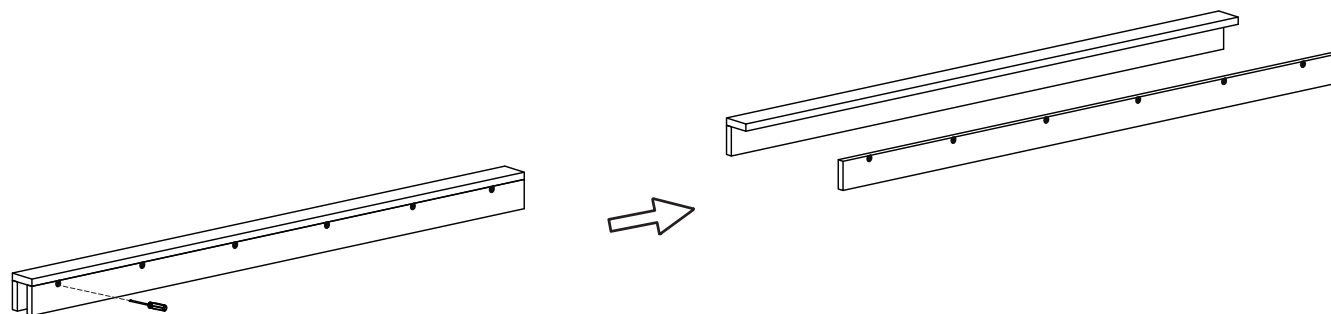
Step 02

Assemble all frames



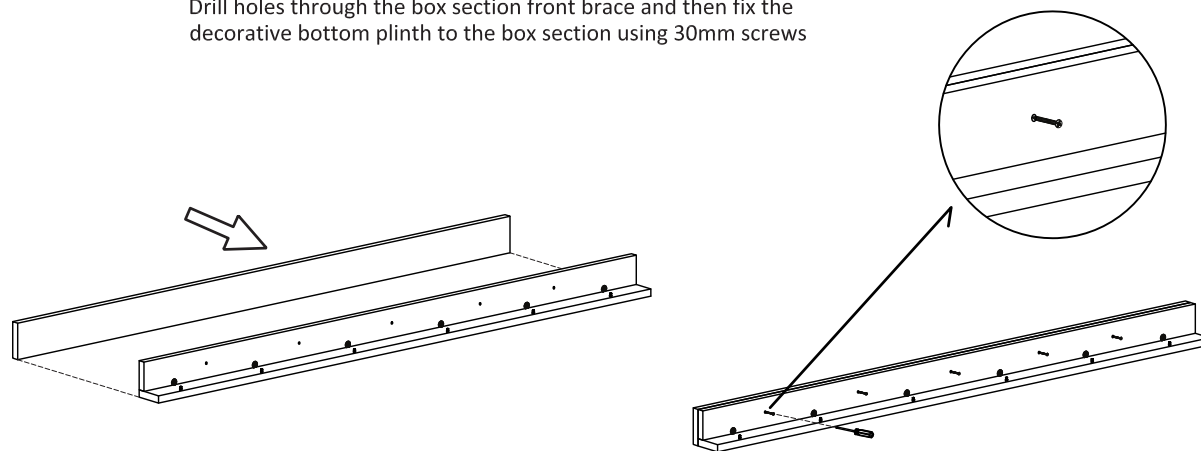
Step 03

Undo rear brace from bottom box section



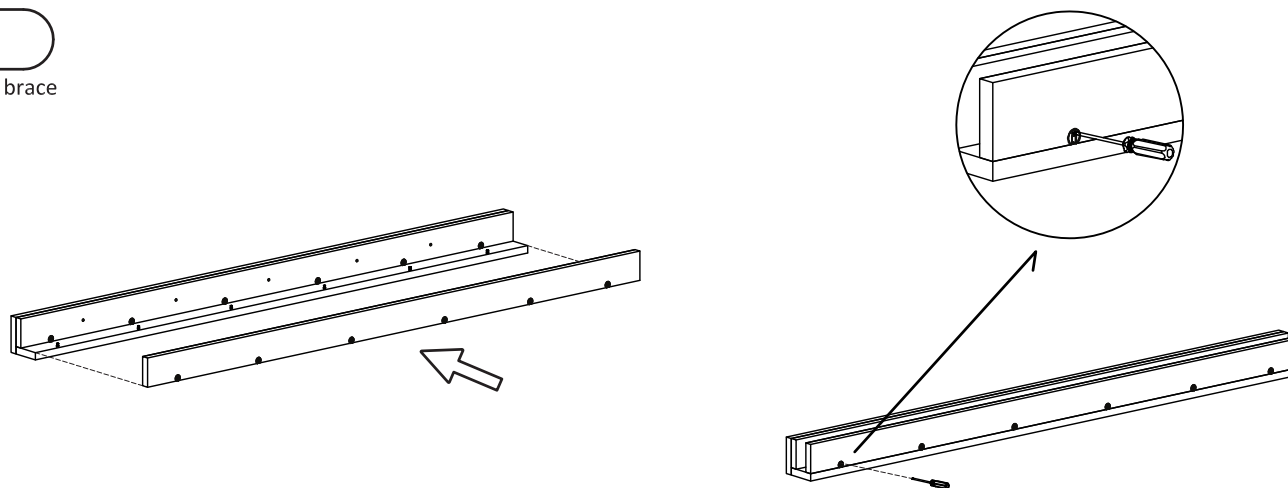
Step 04

Drill holes through the box section front brace and then fix the decorative bottom plinth to the box section using 30mm screws



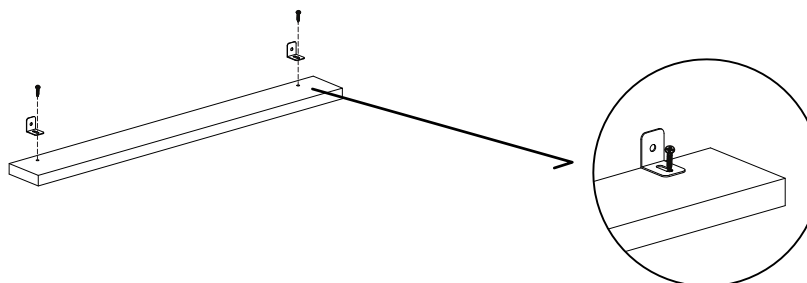
Step 05

Replace rear brace



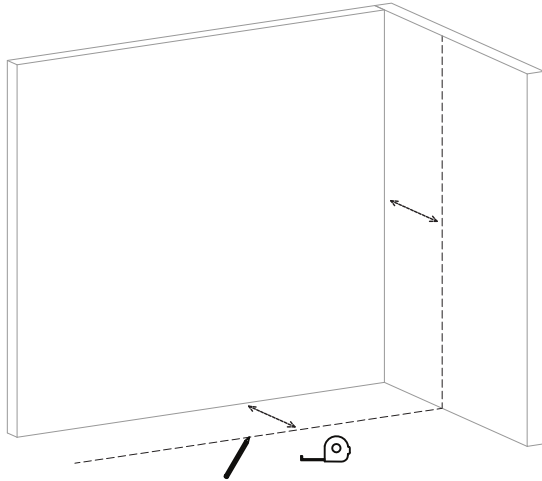
Step 06

Screw Small L brackets to wall brace using 17mm screws



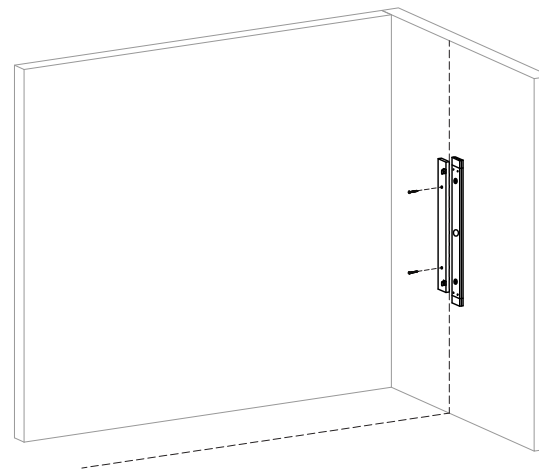
Step 07

Measure chosen depth from the back wall and mark floor and wall



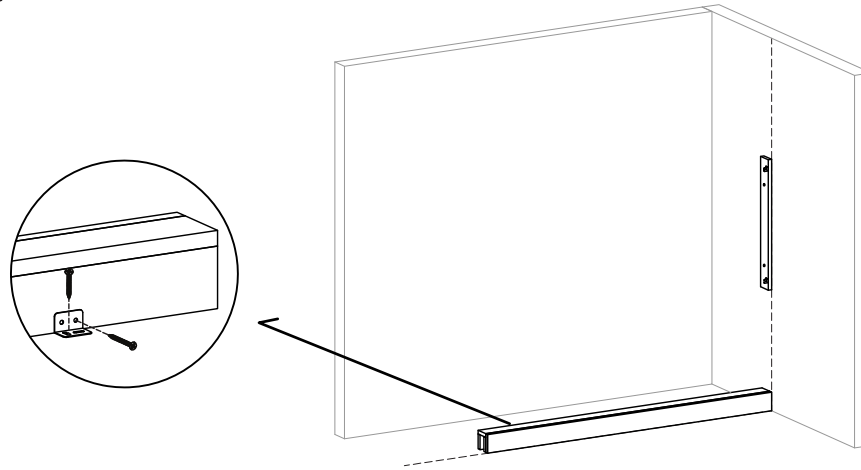
Step 08

Fix wall brace to wall with correct fixing for your type of wall (not provided).
Use a spirit level to ensure it is level. Repeat on opposite wall if your design is wall to wall



Step 09

Place bottom box section on marked line and use packers (not provided) to level it. Secure to the floor once level using large L Brackets (if bottom box section is oversized then you will need to cut it down before fixing into place)

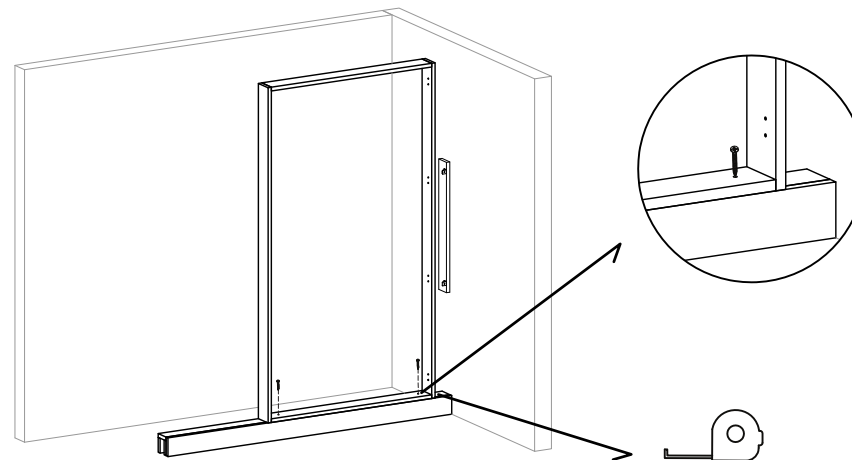


Step 10

Use a tape measure to mark a line on the bottom box section at the point where your first frame will start. Screw first frame to the box section at the line previously marked. Use 30mm screws.

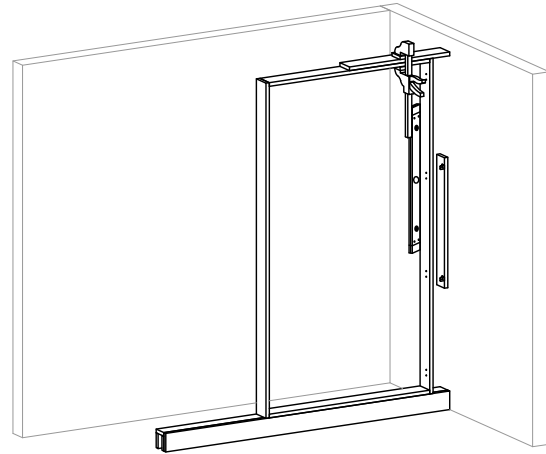
Note: - Frame should be level at the front with the decorative plinth.

- Ensure frame is correct way around
- Smaller gap at the front on the hinge plate holes



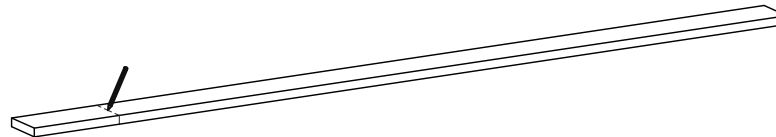
Step 11

Use a spirit level to get the frame square and clamp a piece of spare material to the top of the frame at the point where the frame is perfectly level.



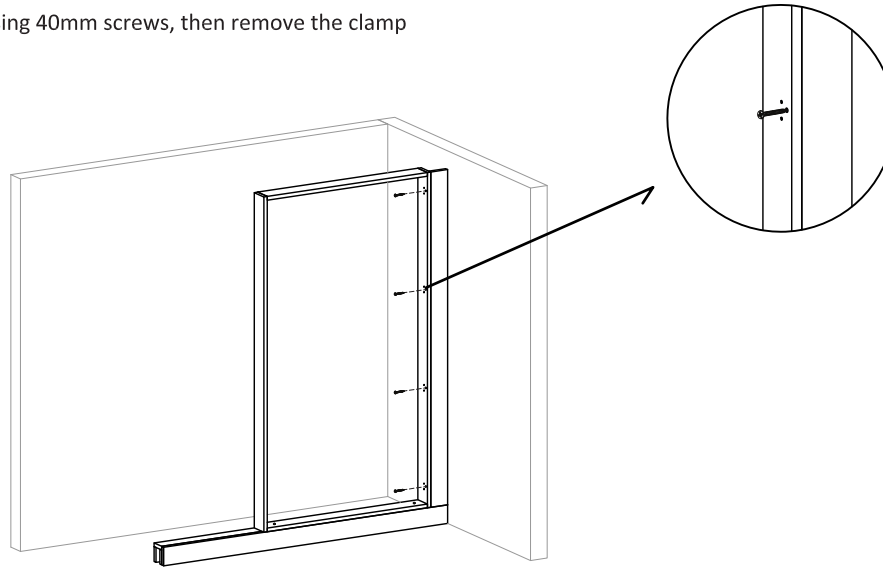
Step 12

Mark your side scribe panel and cut to size and shape of the wall



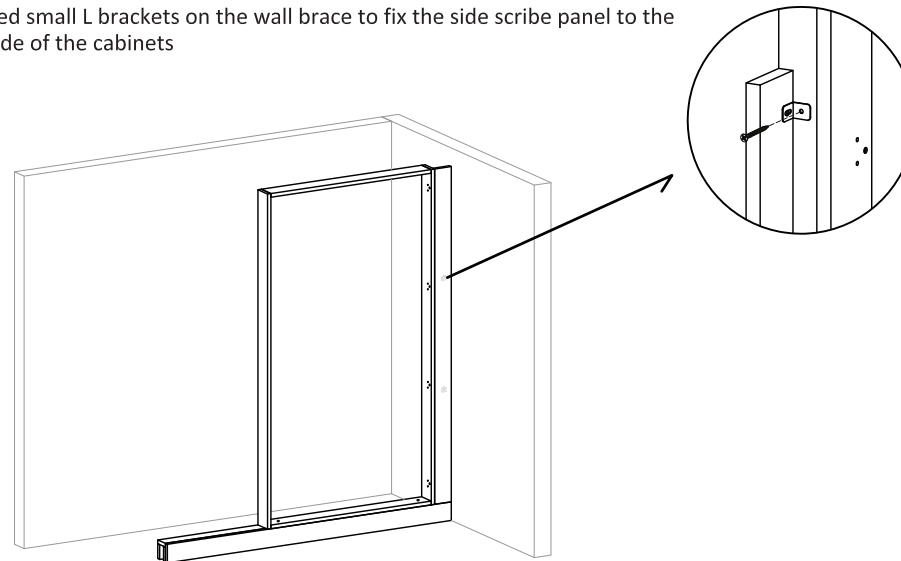
Step 13

Fix side scribe panel to the frame using 40mm screws, then remove the clamp and spare material



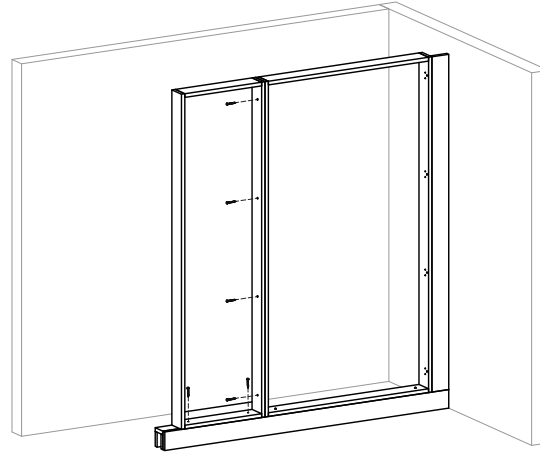
Step 14

Using the previously fixed small L brackets on the wall brace to fix the side scribe panel to the wall brace from the inside of the cabinets



Step 15

Screw further frames to each other and to the bottom box section using 30mm screws until you have completed the entire length

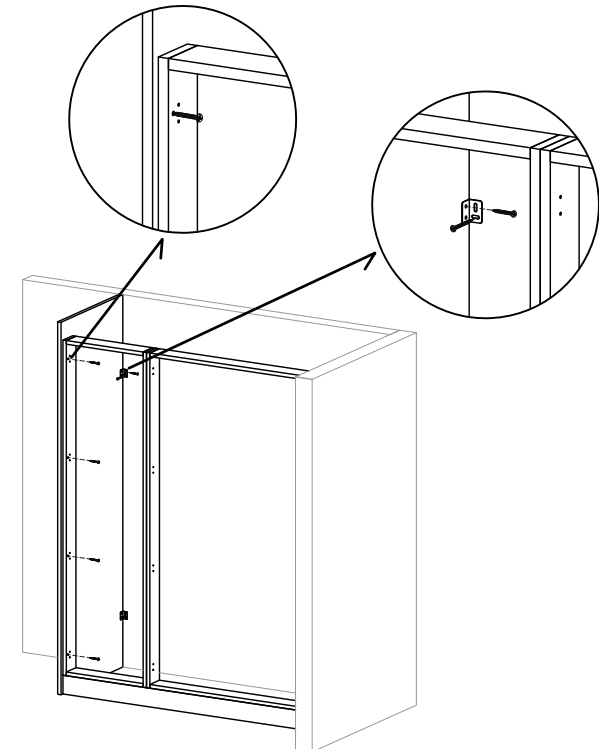
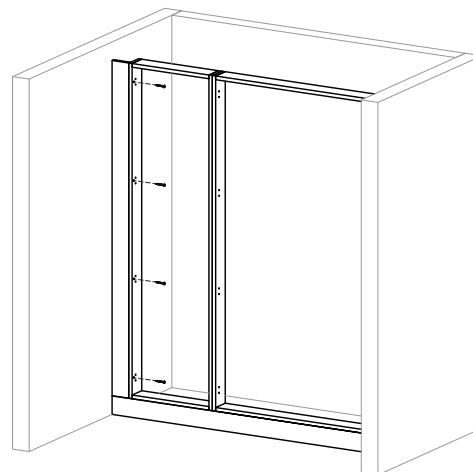


Step 16

If your wardrobe is wall to wall then you will need to repeat the same process as before to cut and fit your second side scribe. If your wardrobe has an open end then you will have an end panel.

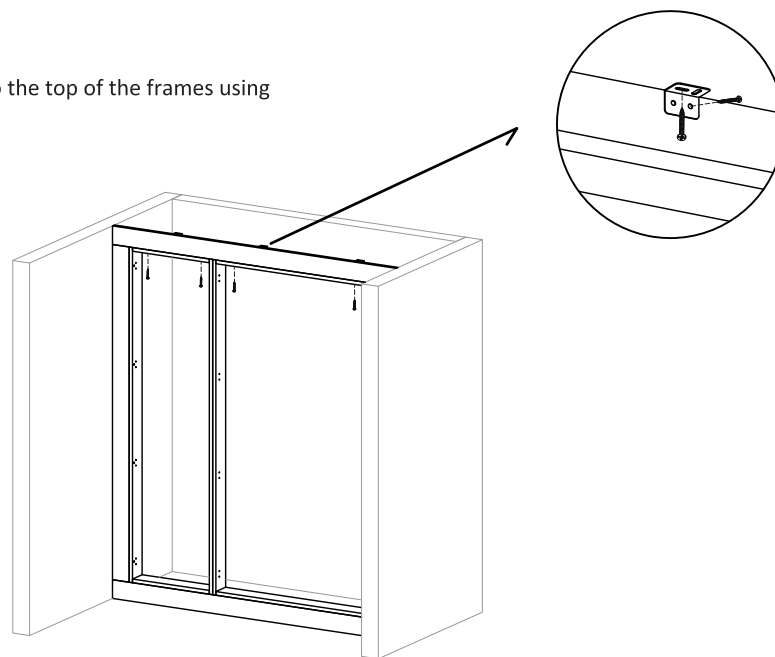
Screw the end panel to the frame and then fix at the rear to the wall with the large L brackets.

Note: End panel should be 20mm forwards of the frame front.



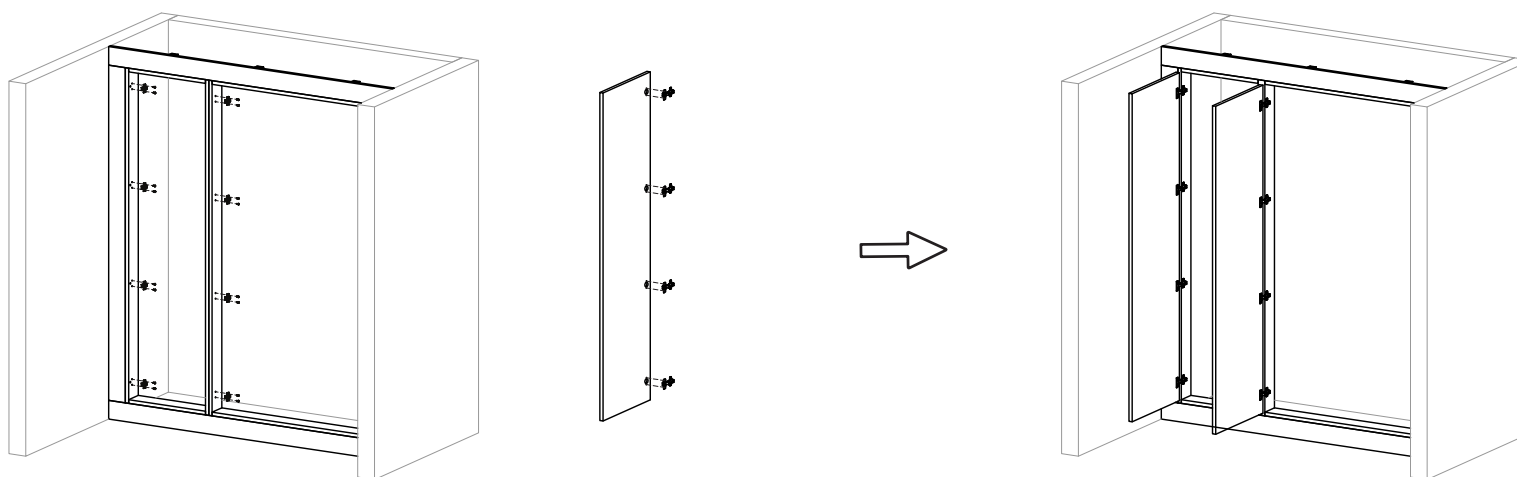
Step 17

Cut and scribe top plinths to the ceiling and screw to the top of the frames using 40mm screws and the ceiling using large L brackets



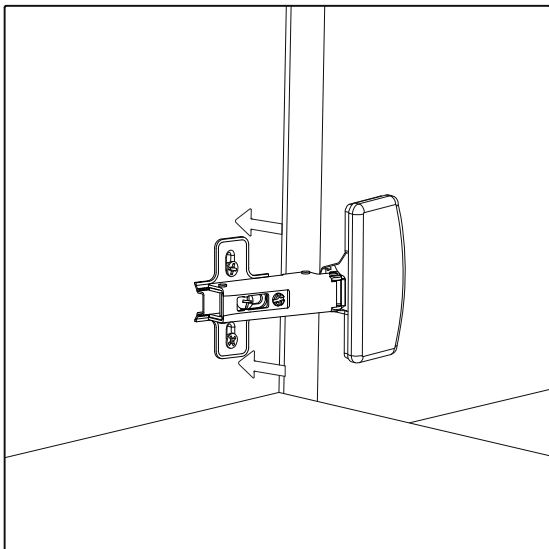
Step 18

Fix hinge plates to the frame and hinges to doors before mounting the doors to the frames

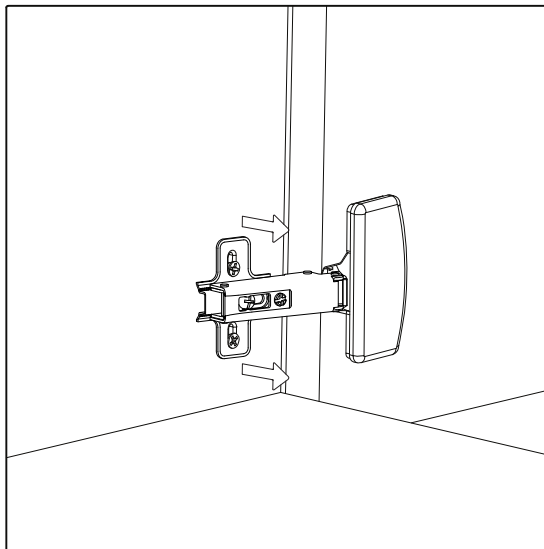


Step : Attaching the Door

Step 1

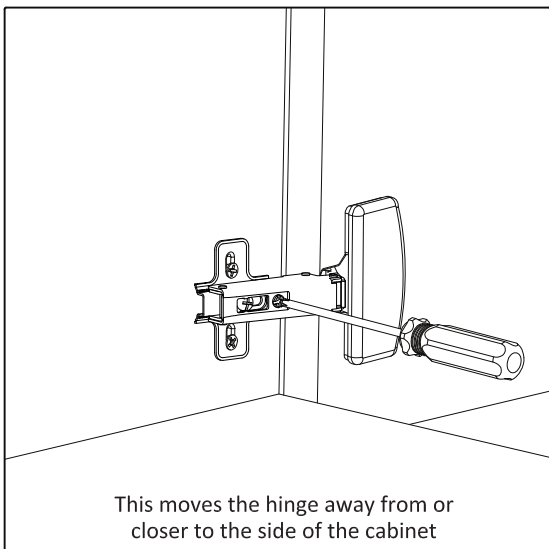


To remove the Door

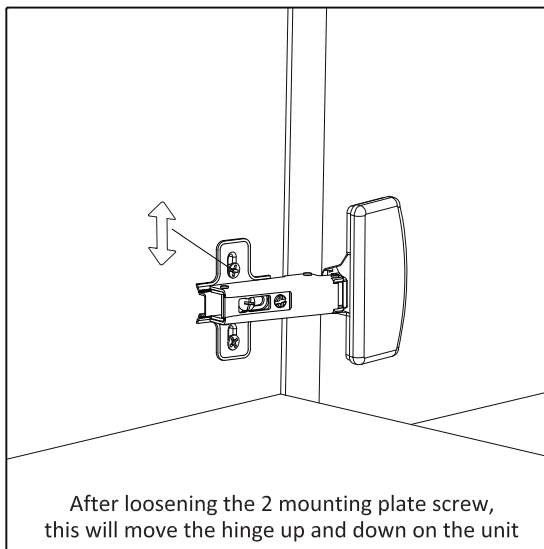


Step : Door Adjustment

Step 1



Step 2



Step 3

