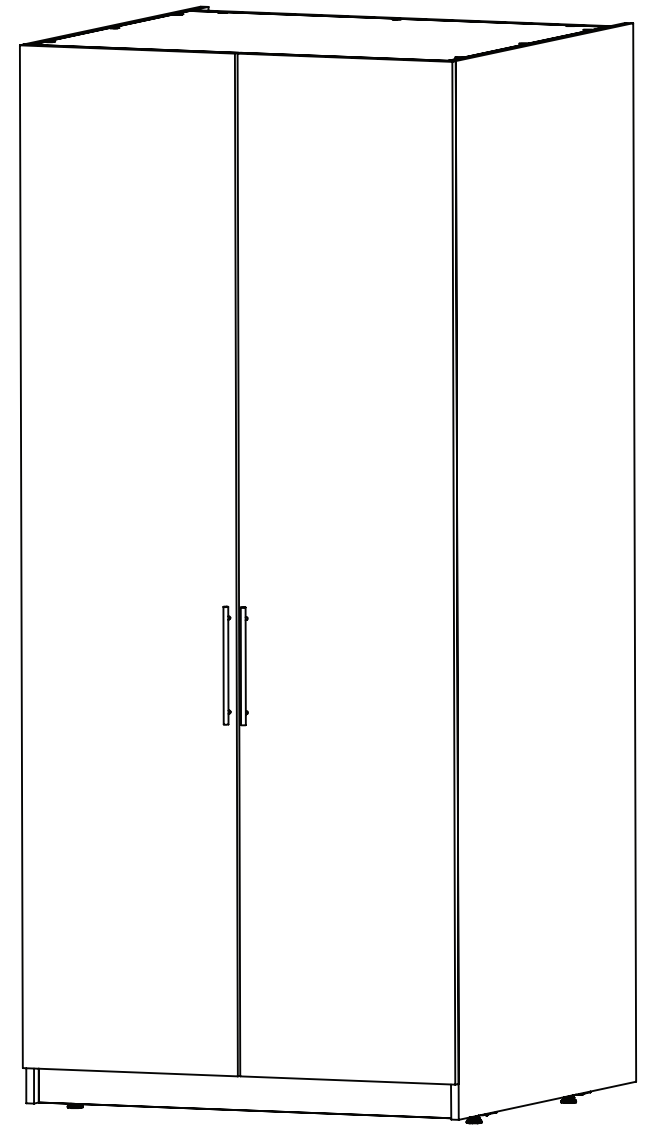
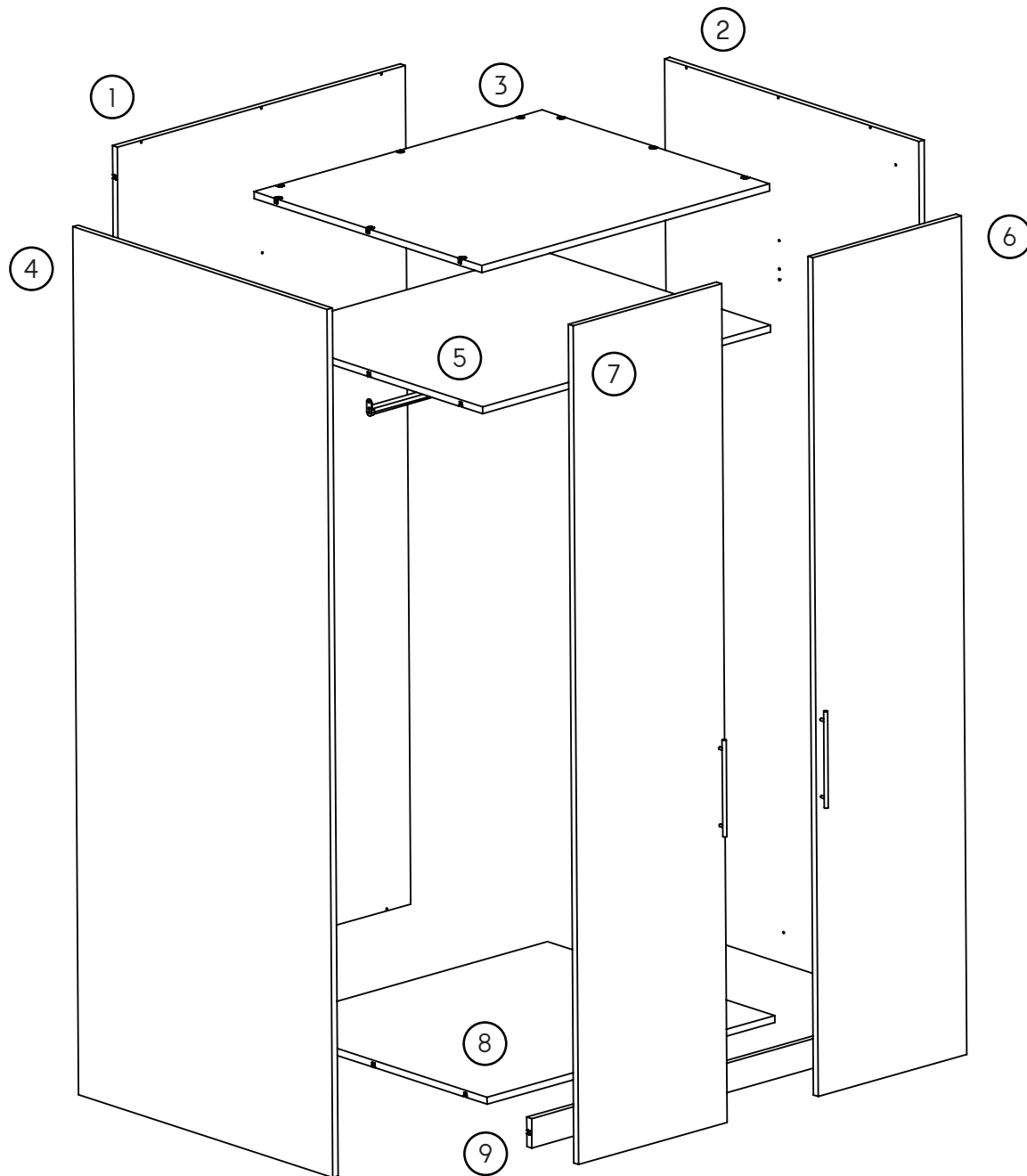


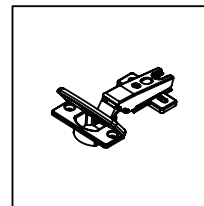
 **ONLINE**
Bedrooms

**FREESTANDING WARDROBE
ASSEMBLY INSTRUCTIONS.**

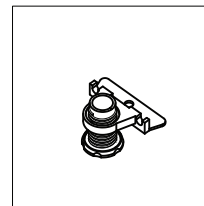




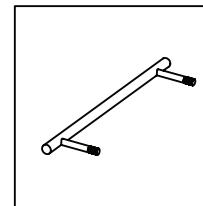
Parts



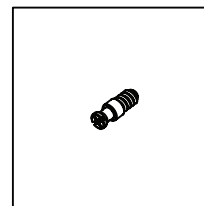
Hinges (4x per door)



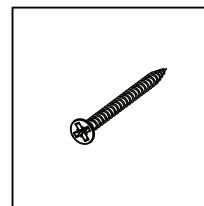
Cabinet legs



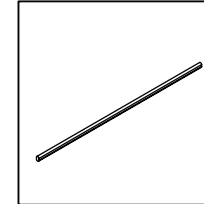
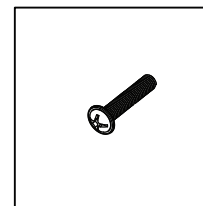
Handles



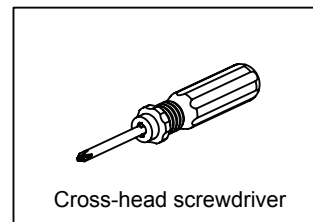
Hanging rail brackets
(if specified)



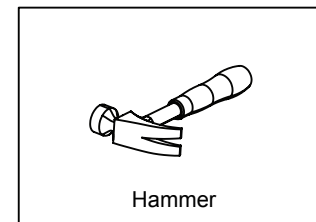
Hanging rail
(if specified)



Tools required

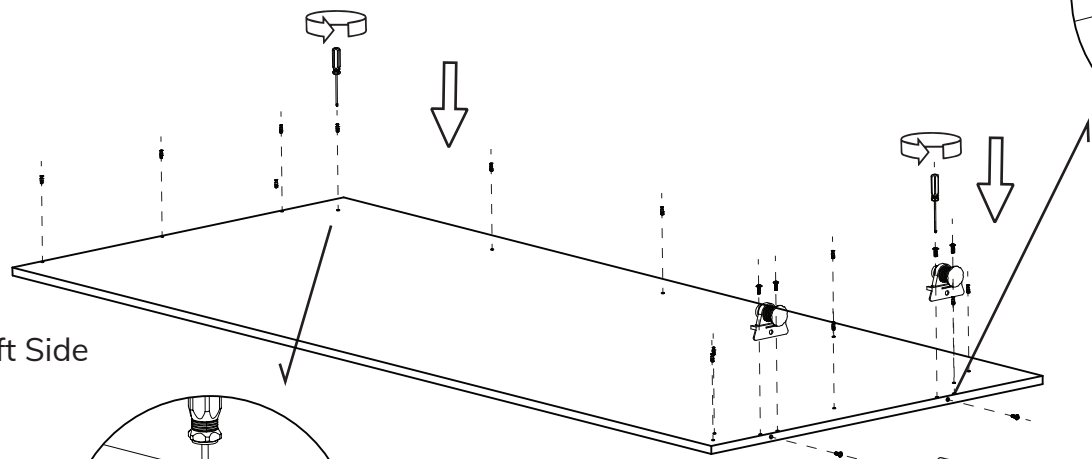


Cross-head screwdriver

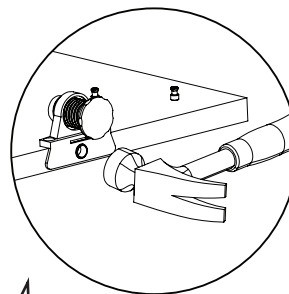


Hammer

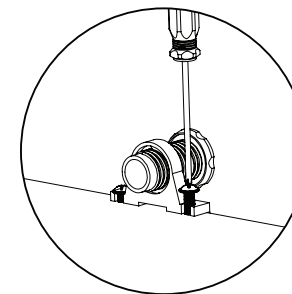
Step 01



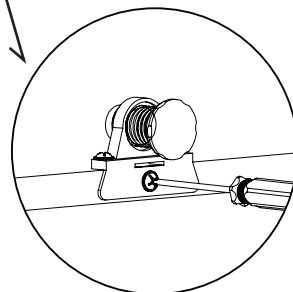
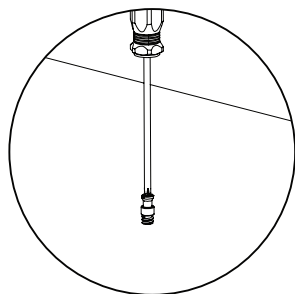
Left Side



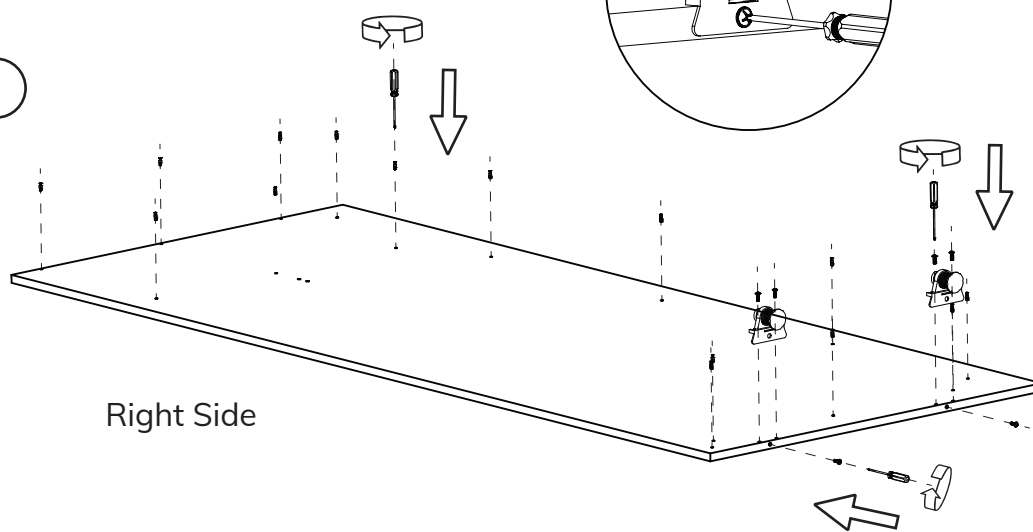
Step 1:
Hammer the
Leg in first



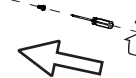
Step 2:
Screw it in
place



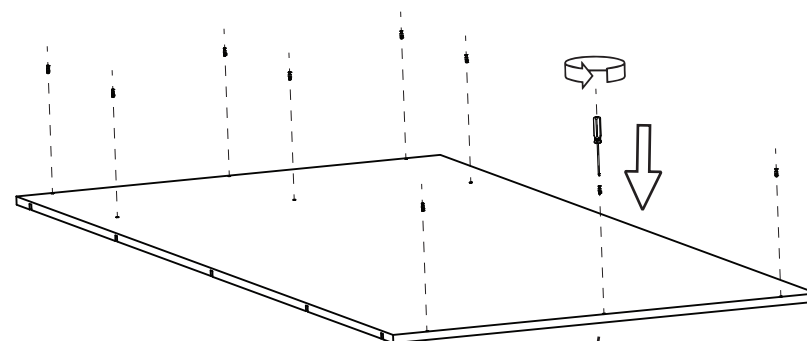
Step 02



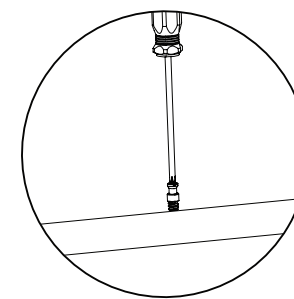
Right Side



Step 03

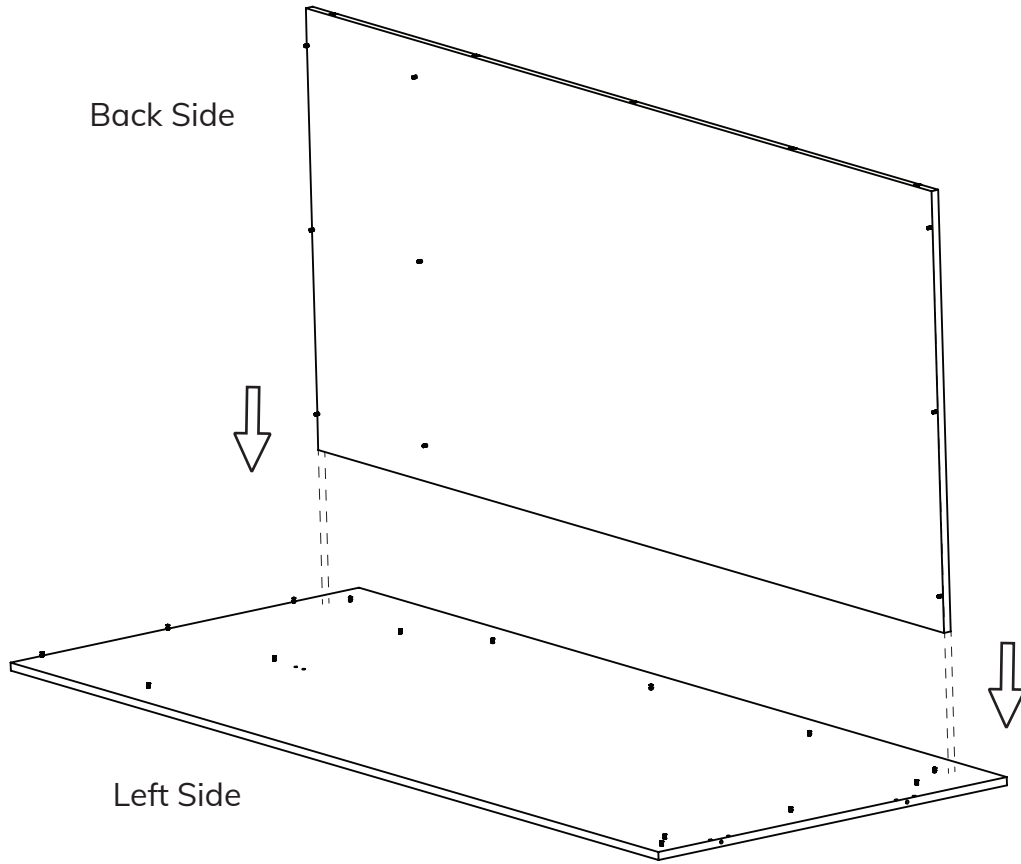


Back Side



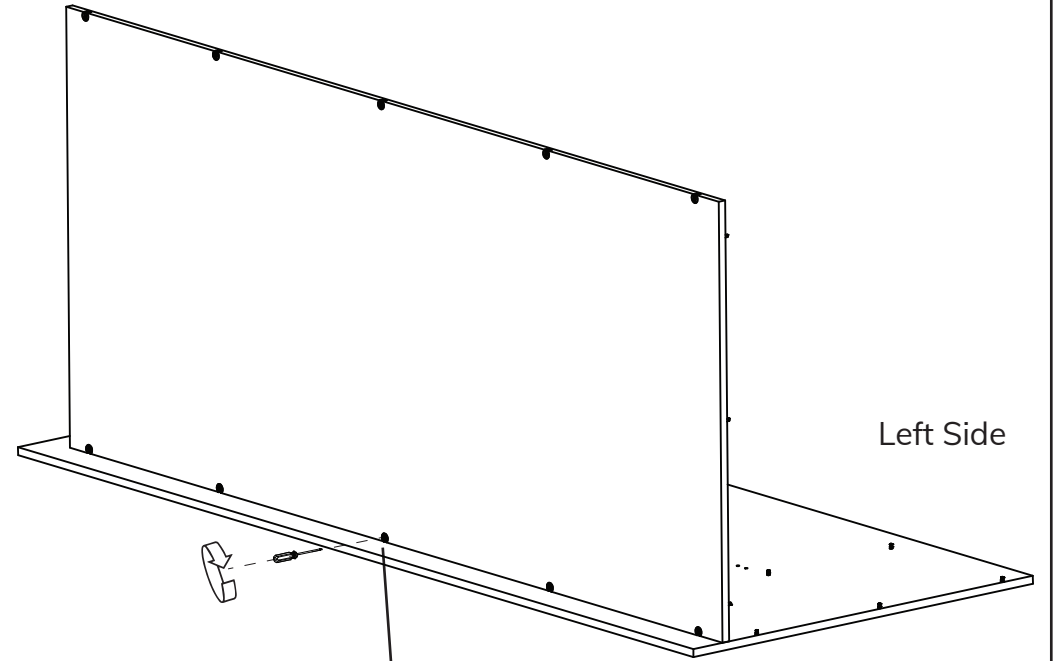
Step 04

Back Side

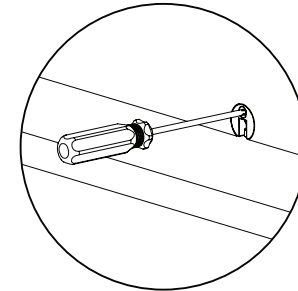


Back Side

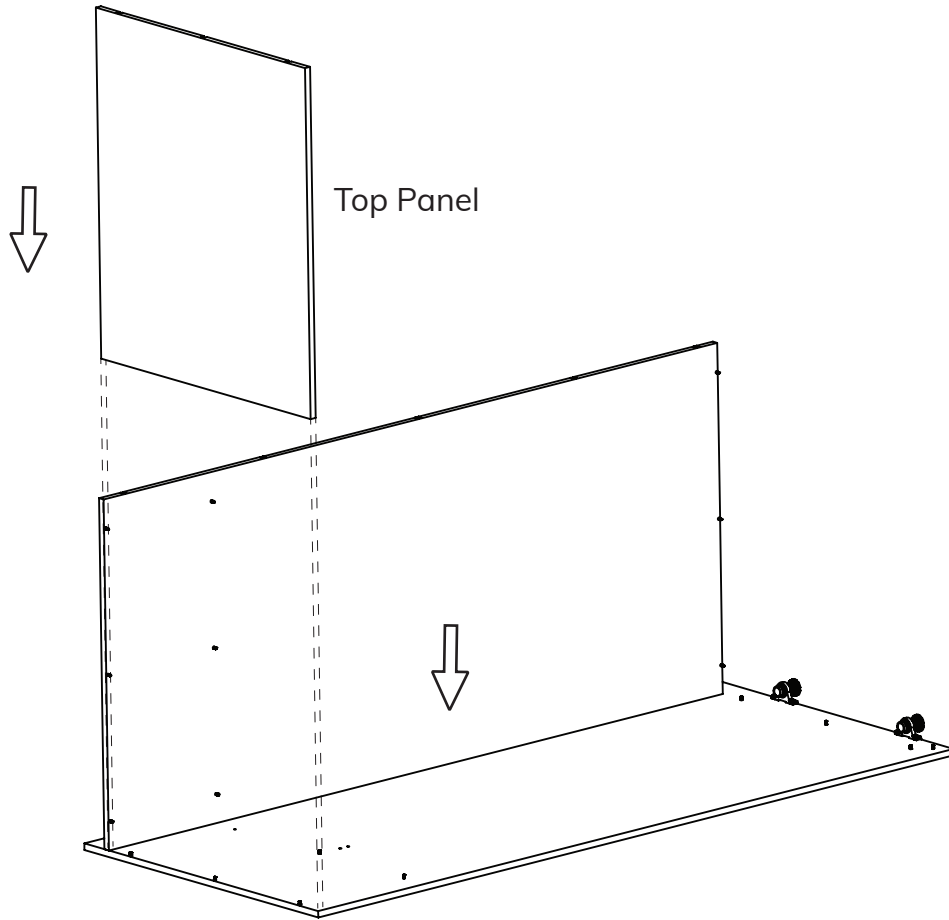
Left Side



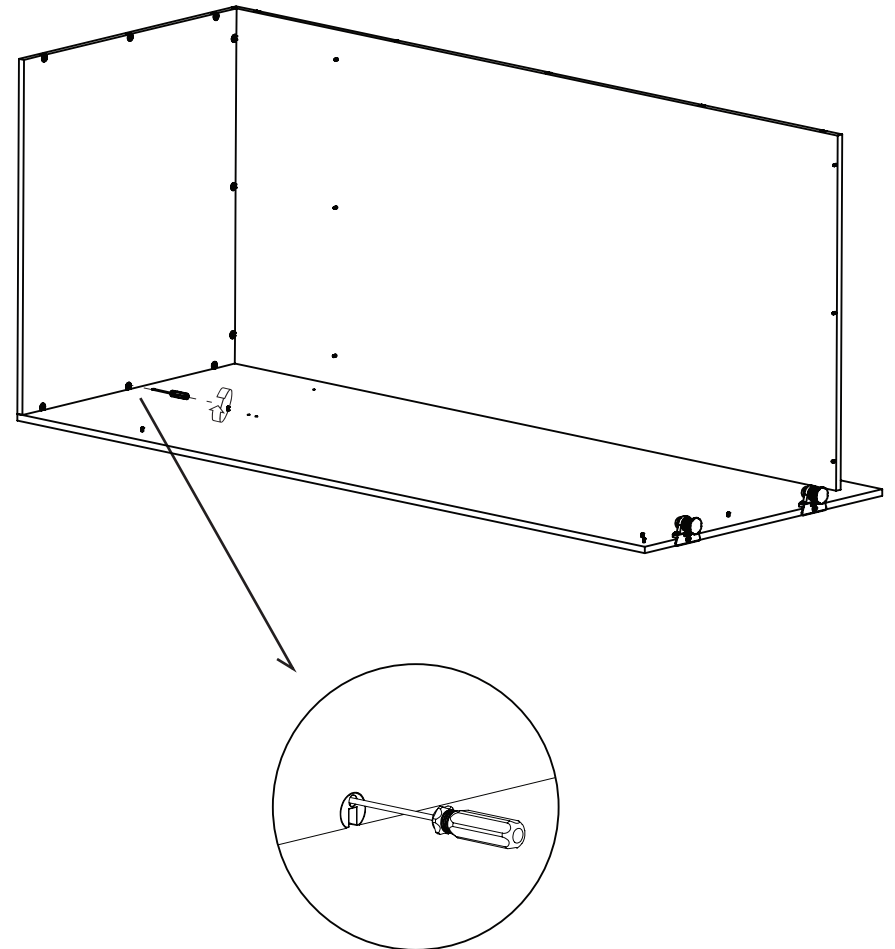
Step 05



Step 06

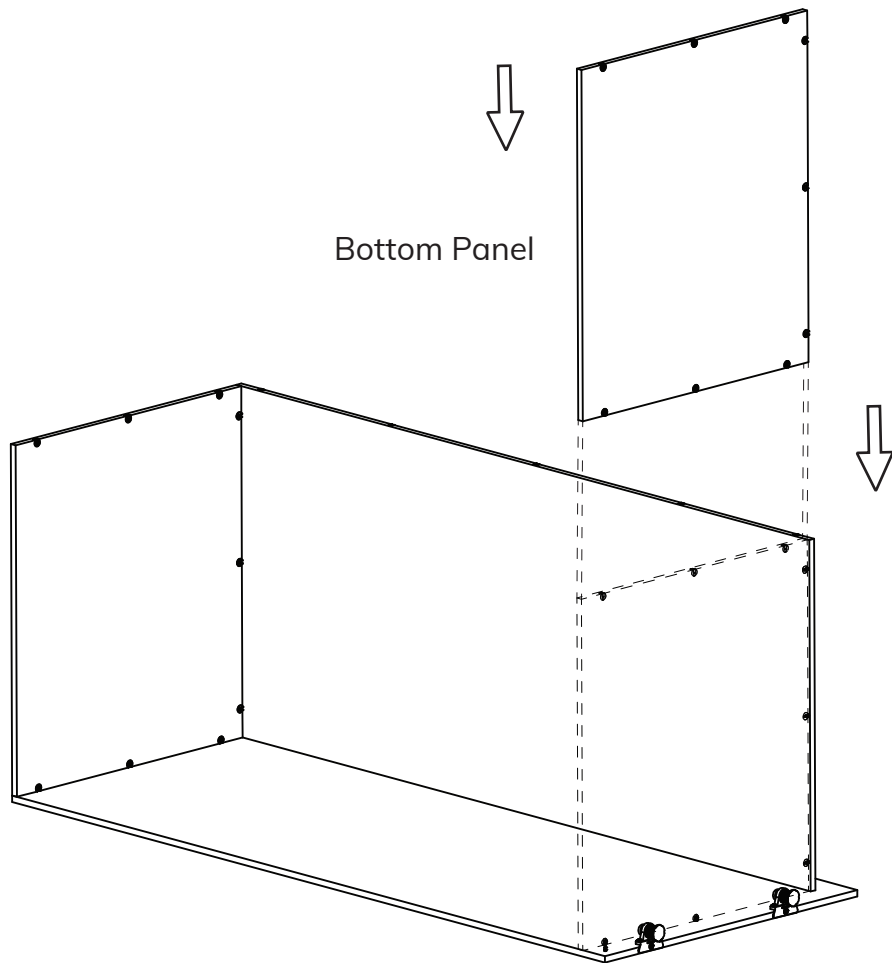


Step 07

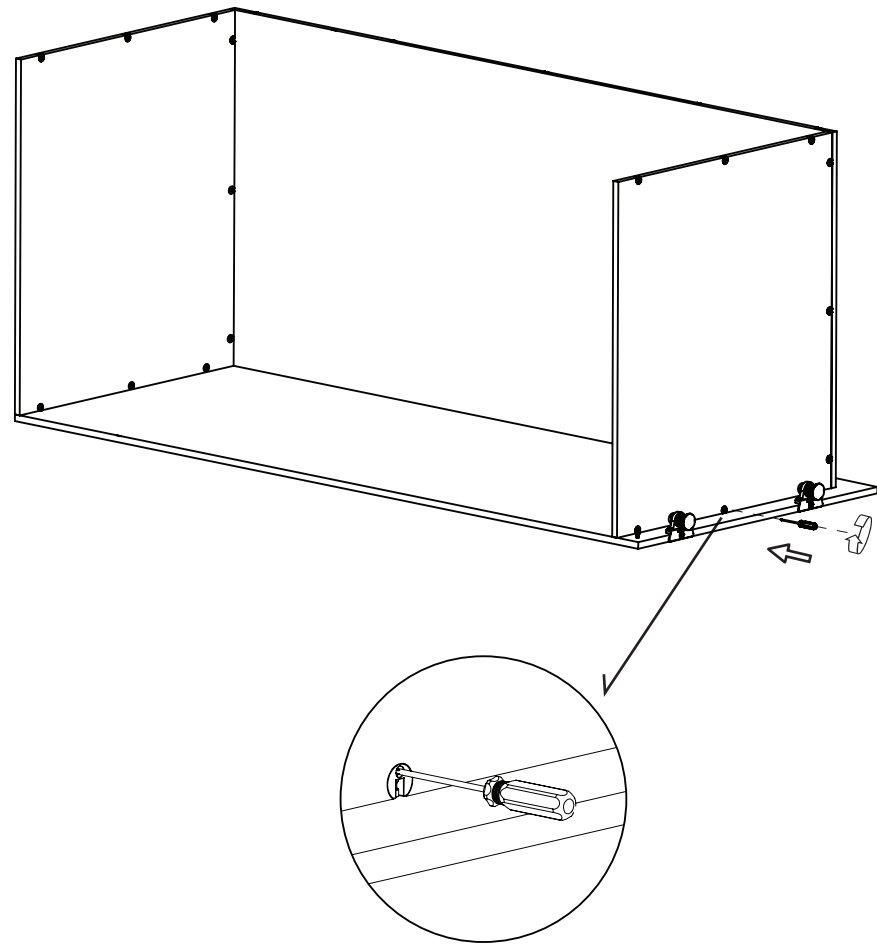


Step 08

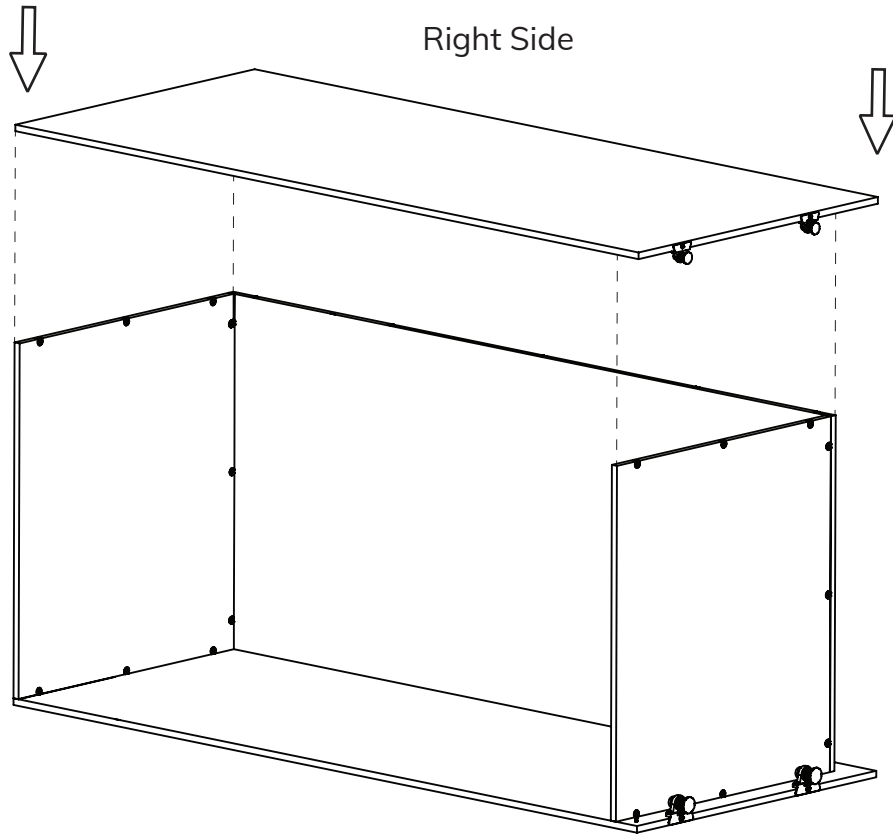
Bottom Panel



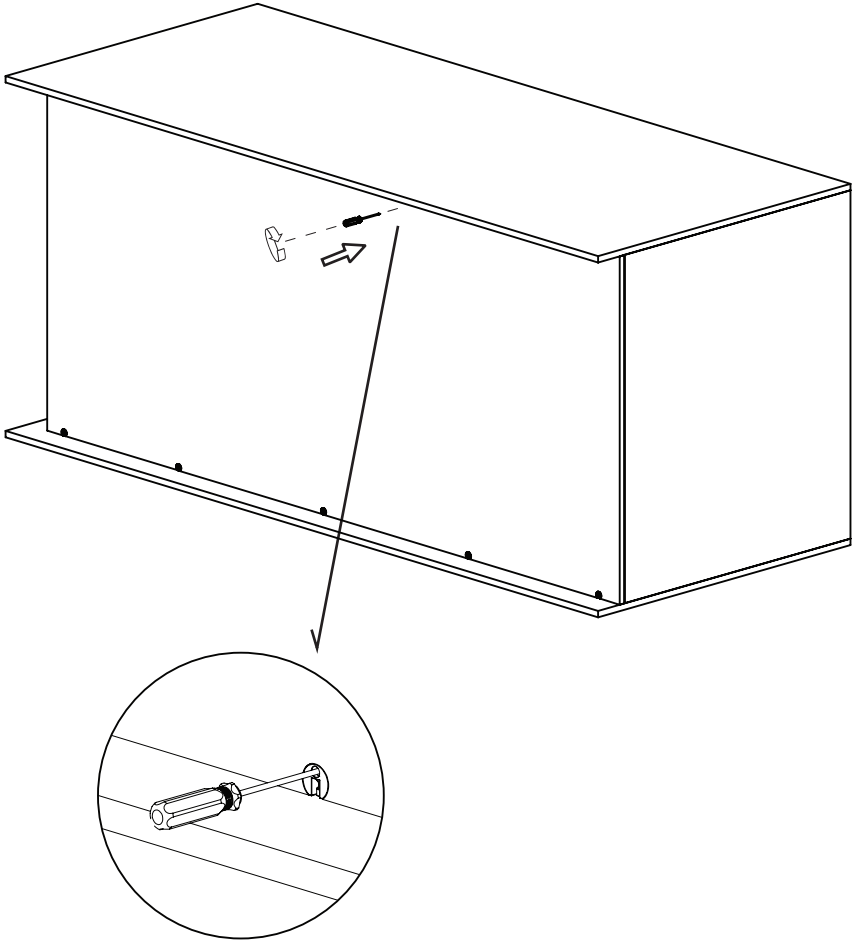
Step 9



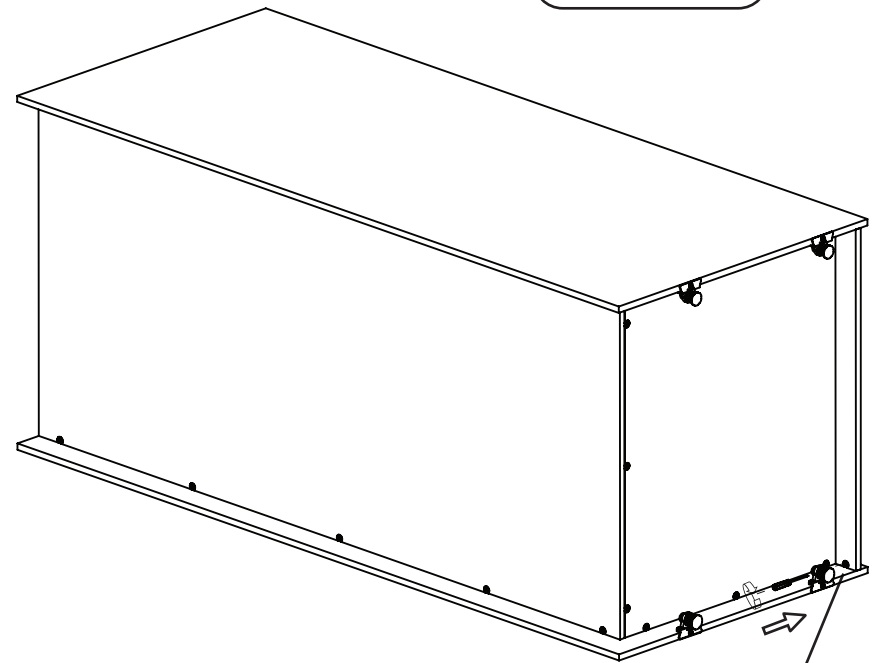
Step 10



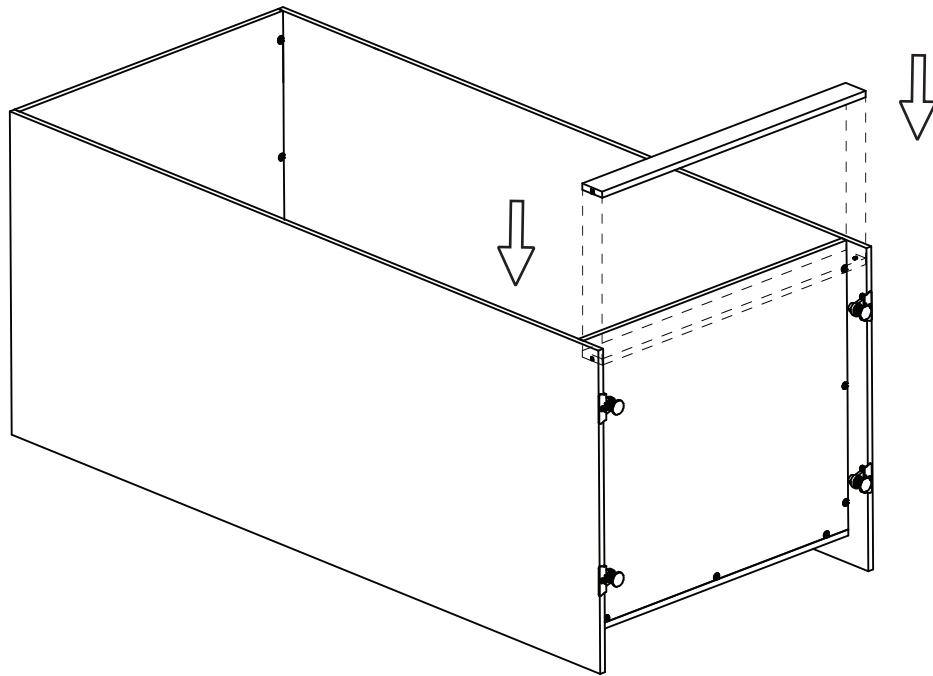
Step 11



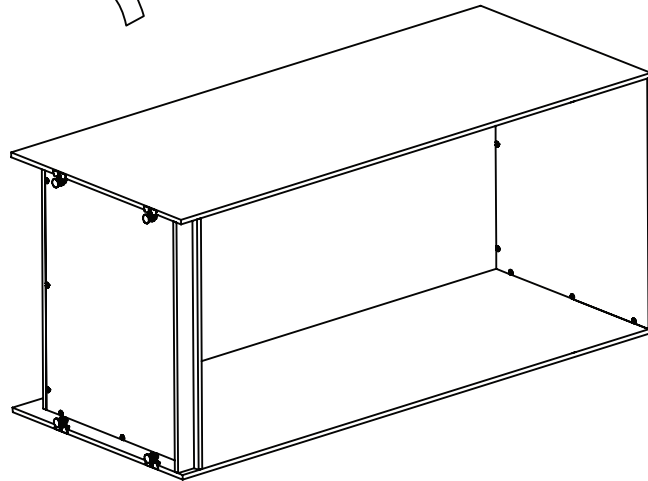
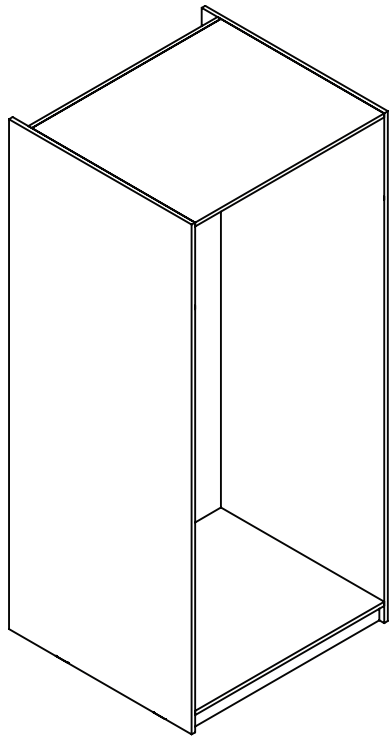
Step 13



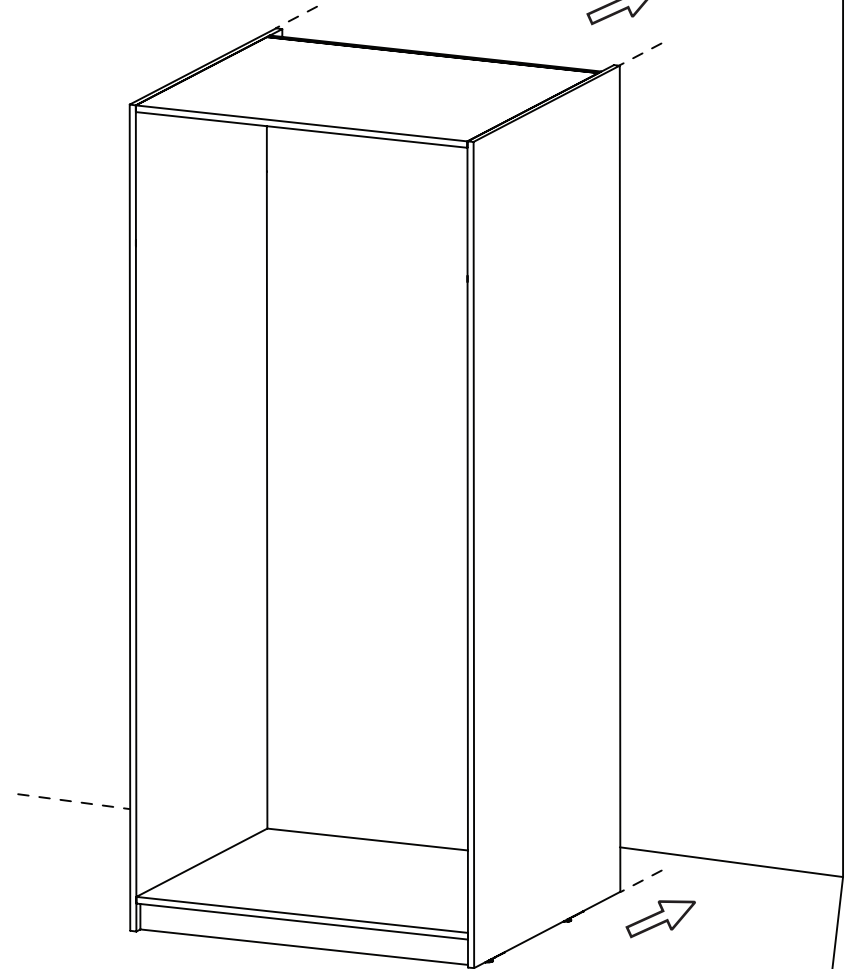
Step 12



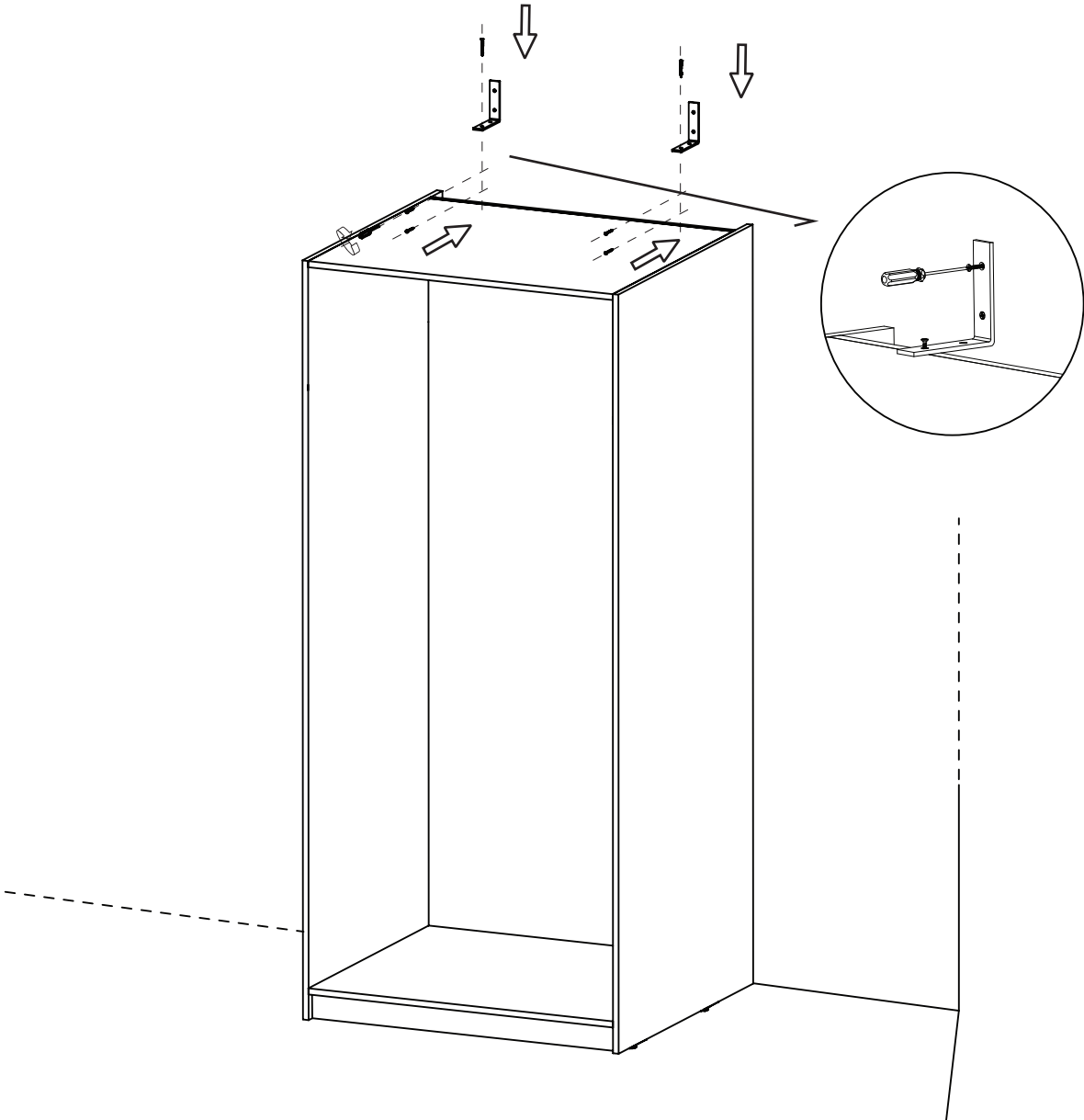
Step 14



Step 15

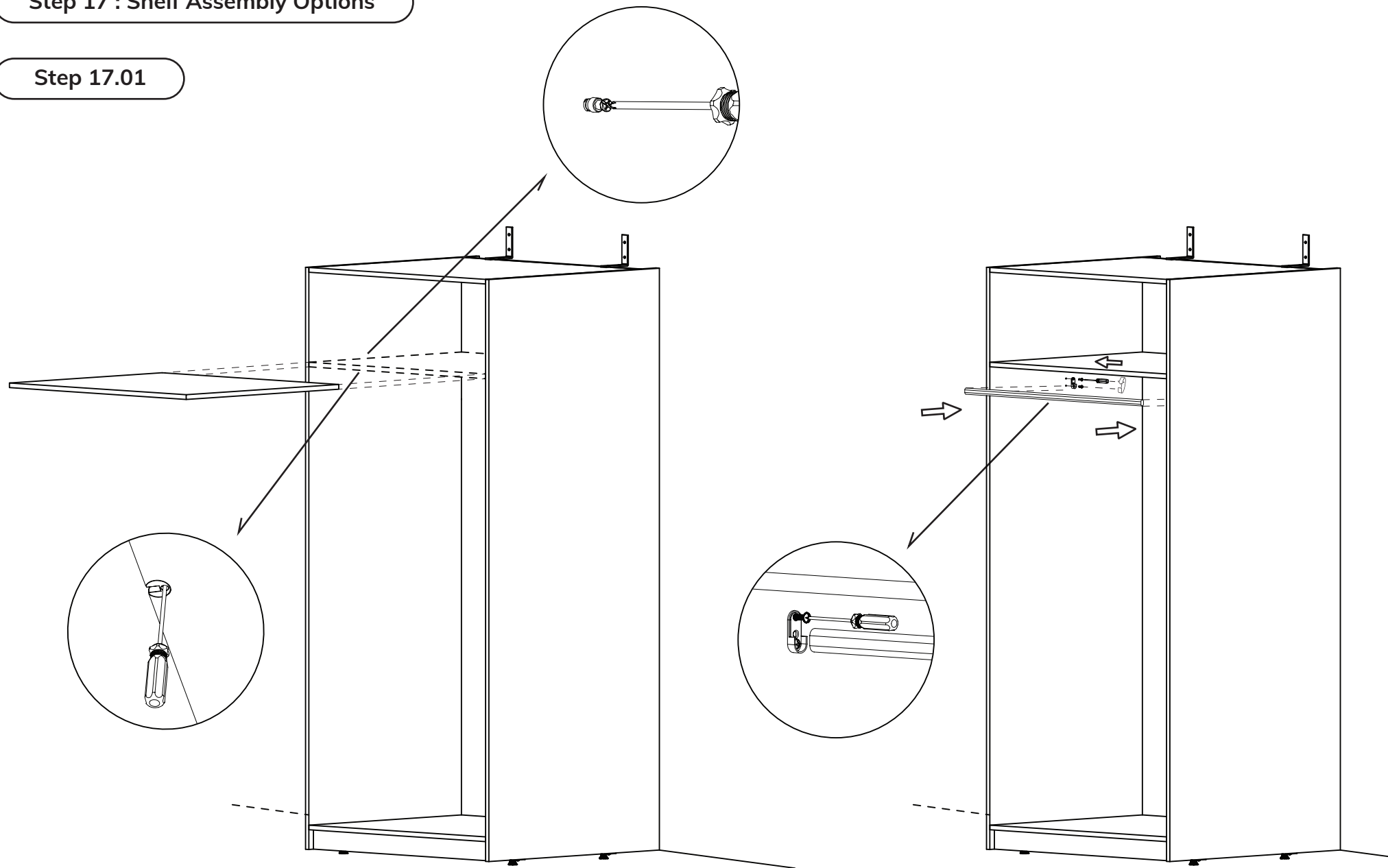


Step 16

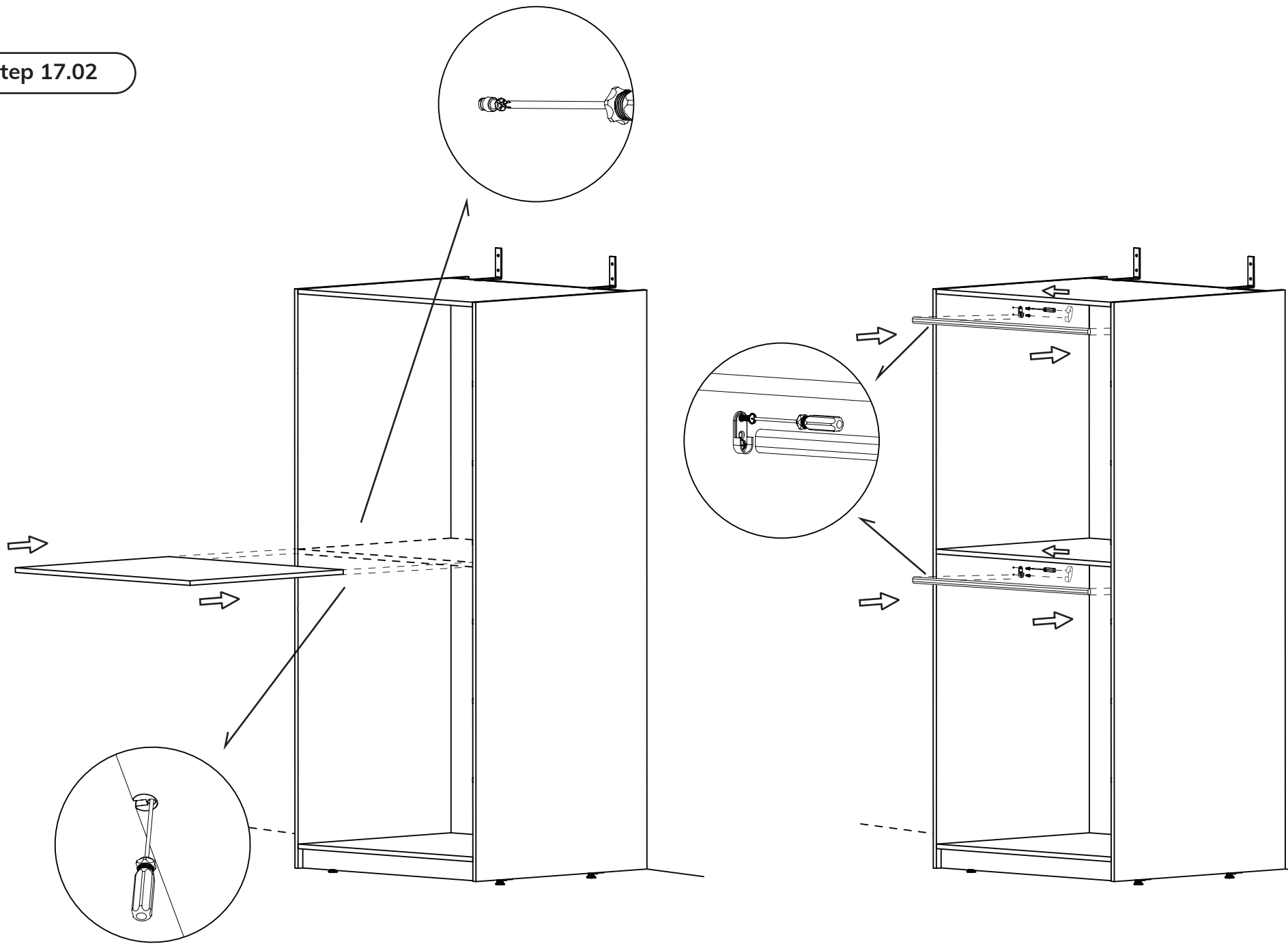


Step 17 : Shelf Assembly Options

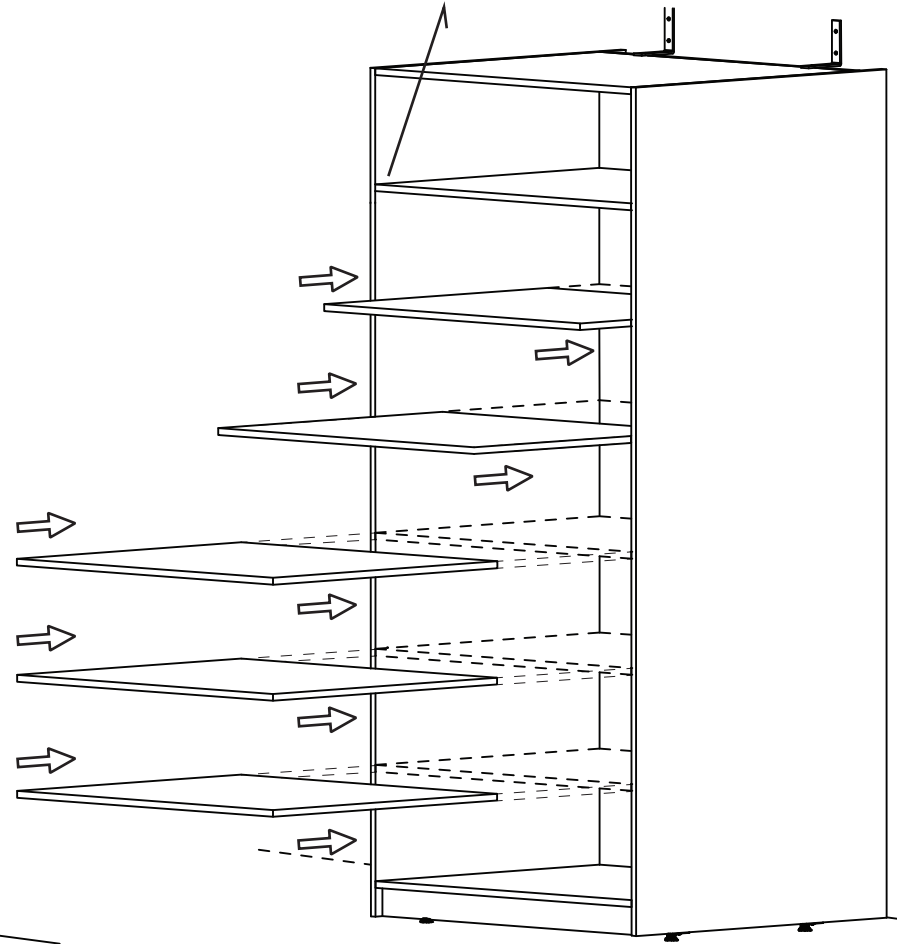
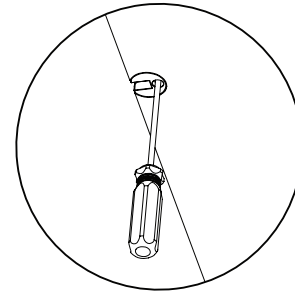
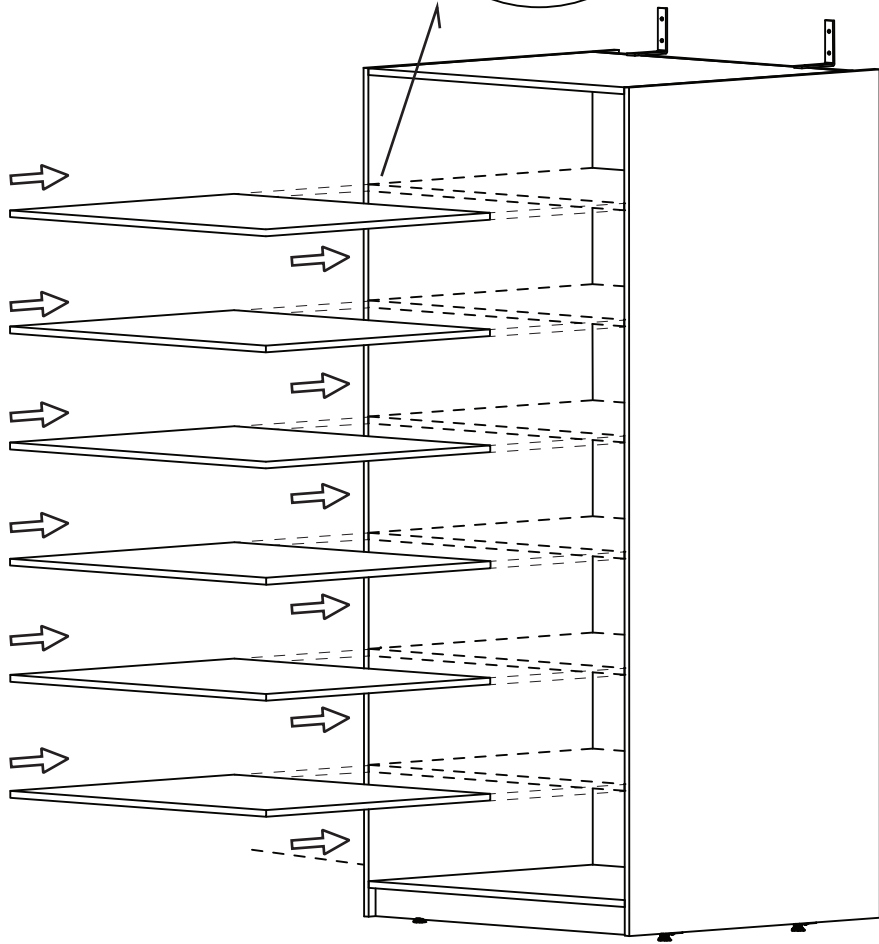
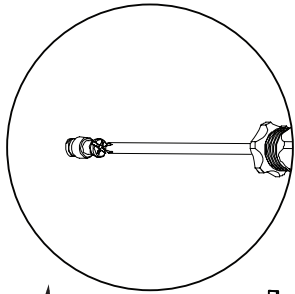
Step 17.01



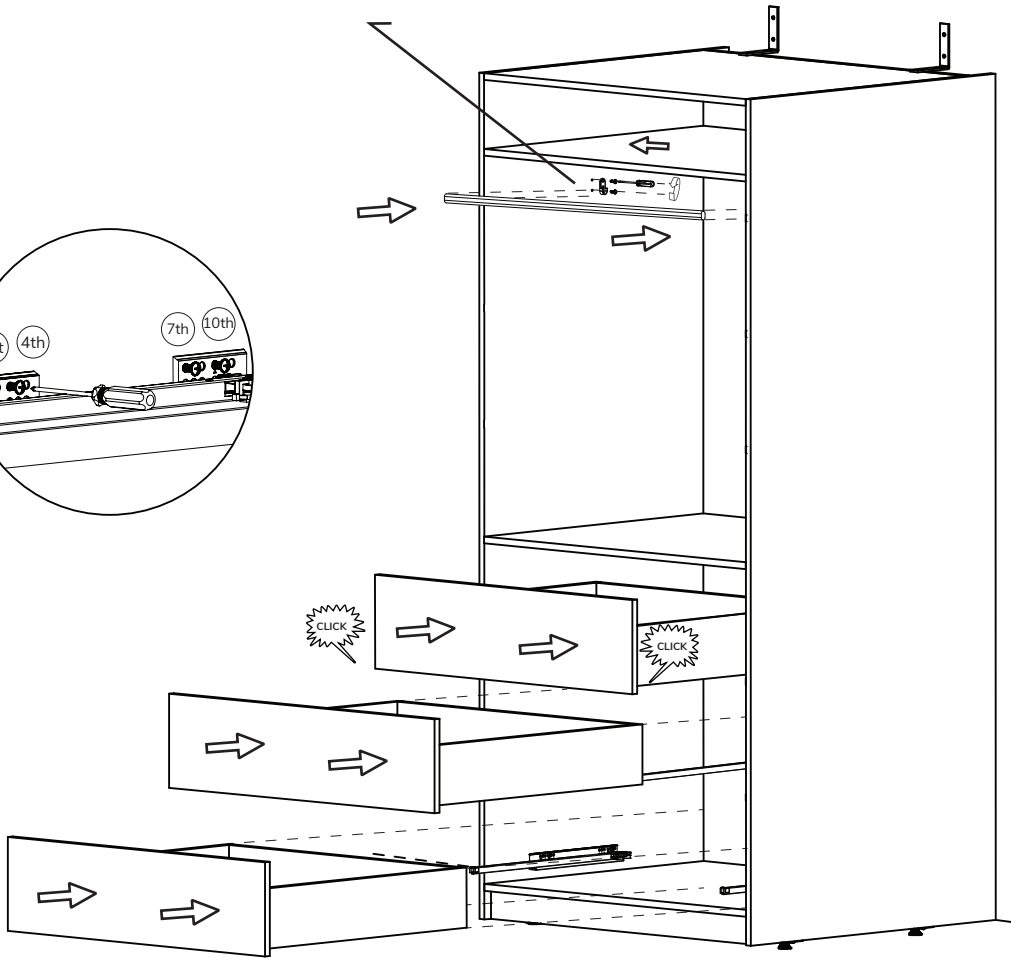
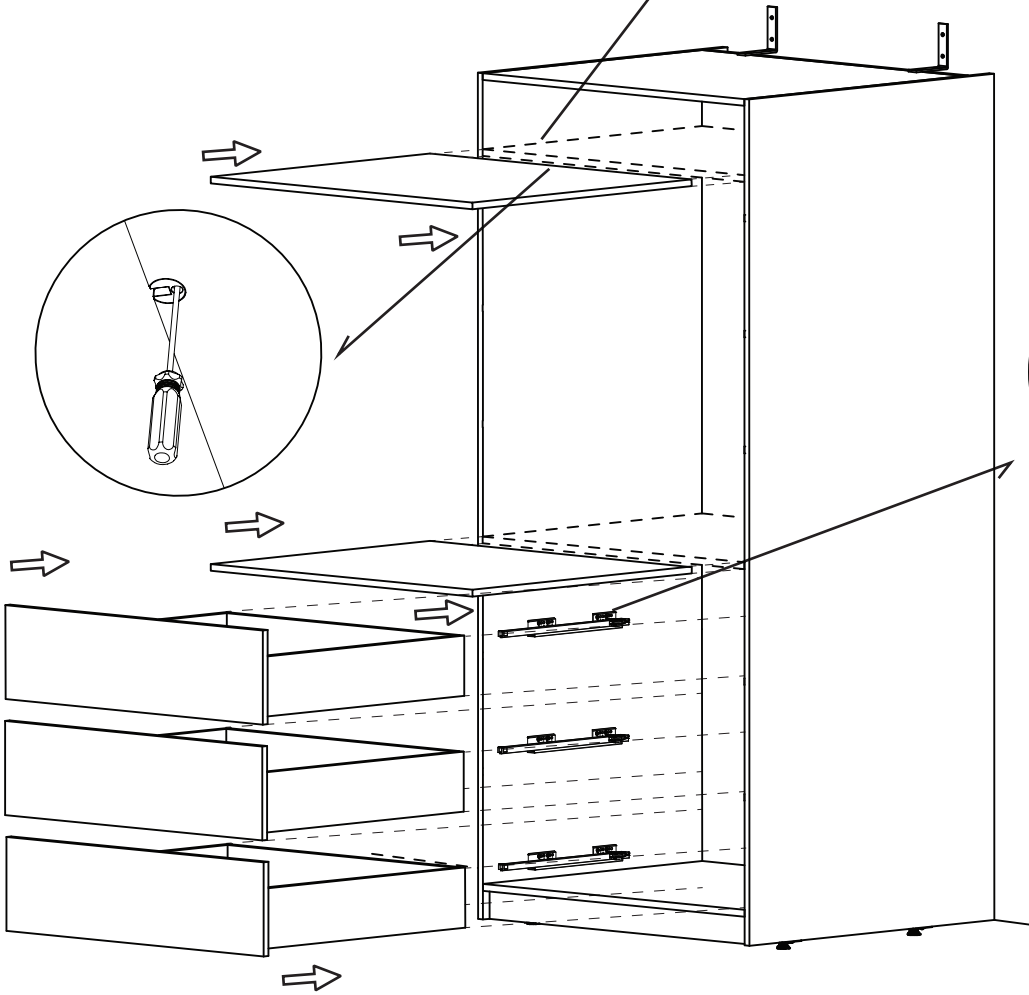
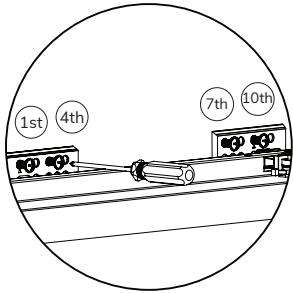
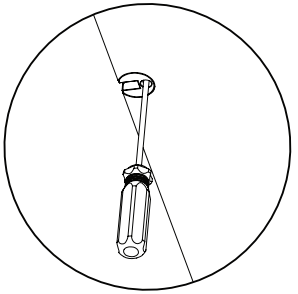
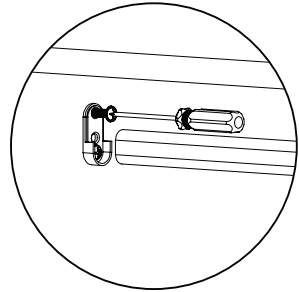
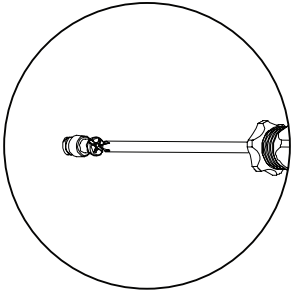
Step 17.02



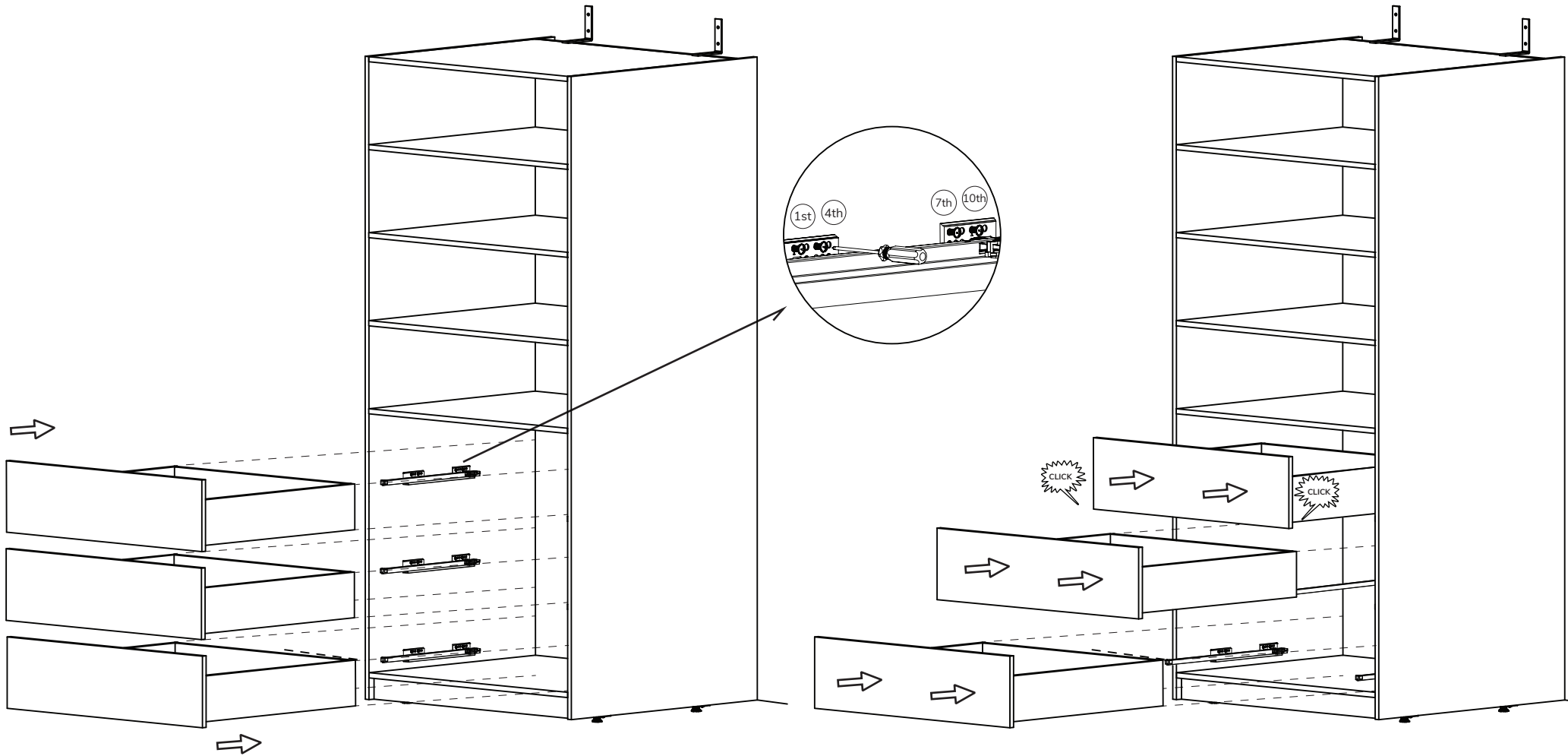
Step 17.03



Step 17.04

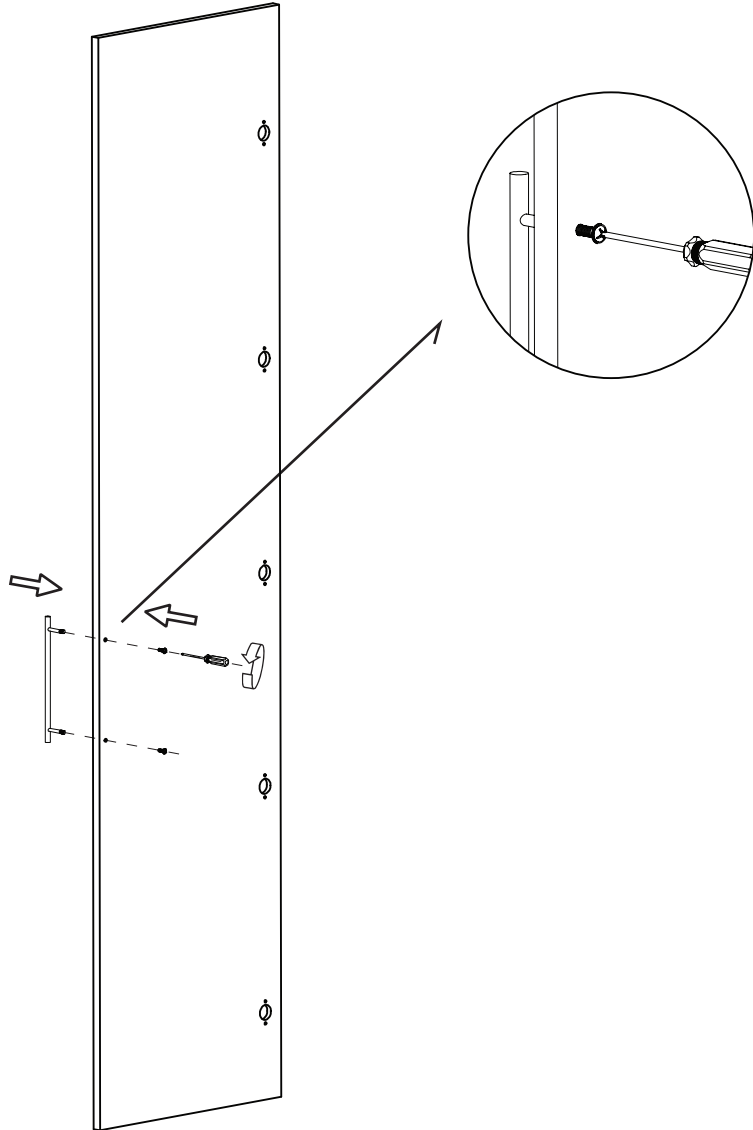


Step 17.05

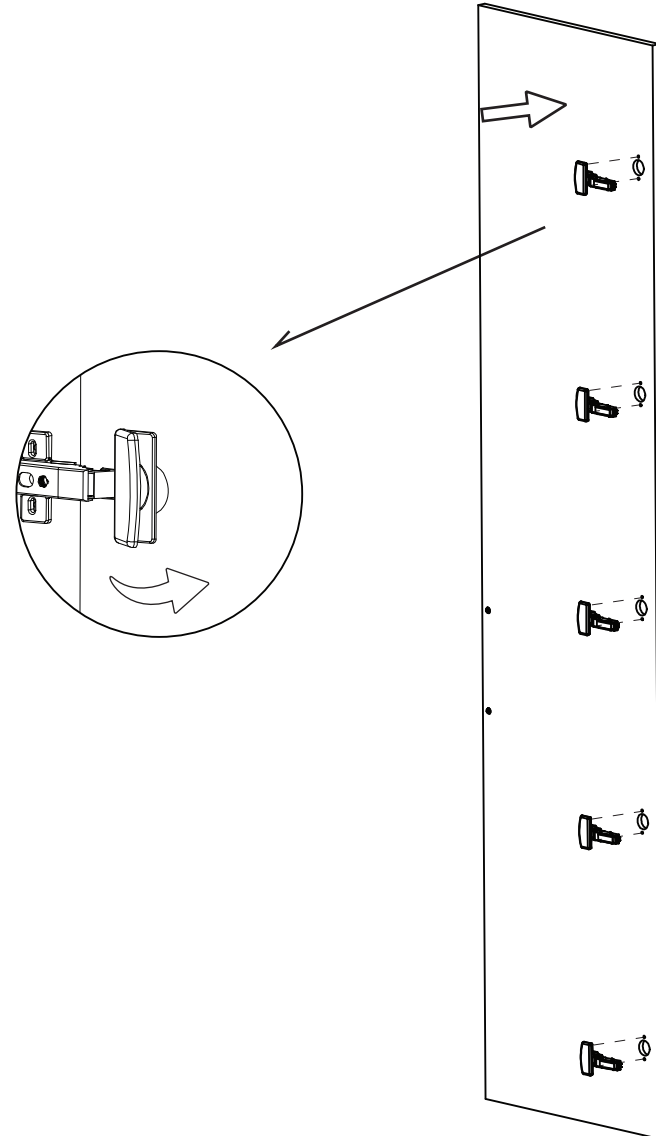


Step 18

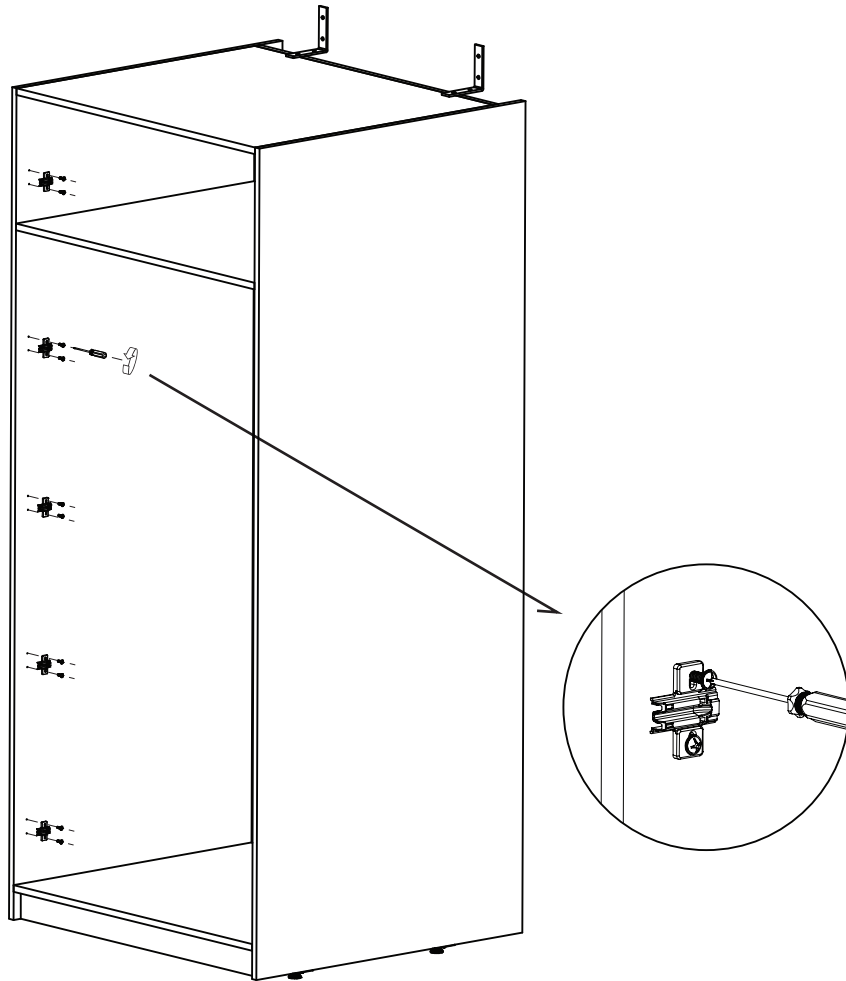
Note that doors are sent undrilled so you will need to drill your handle holes



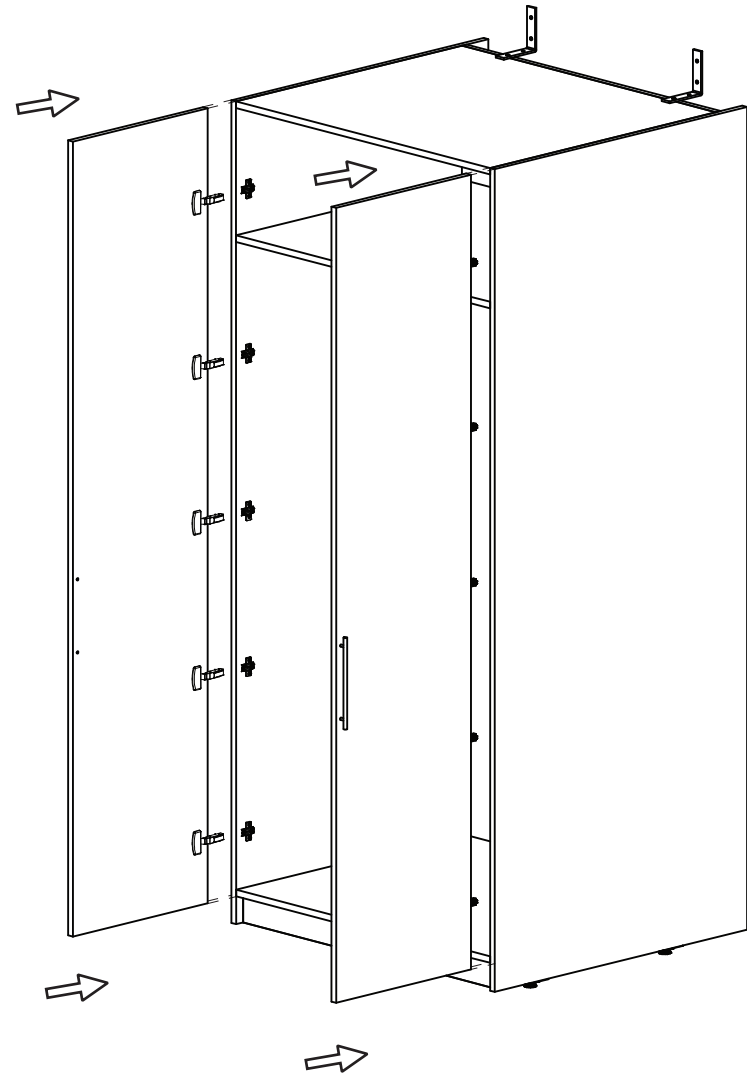
Step 19



Step 20

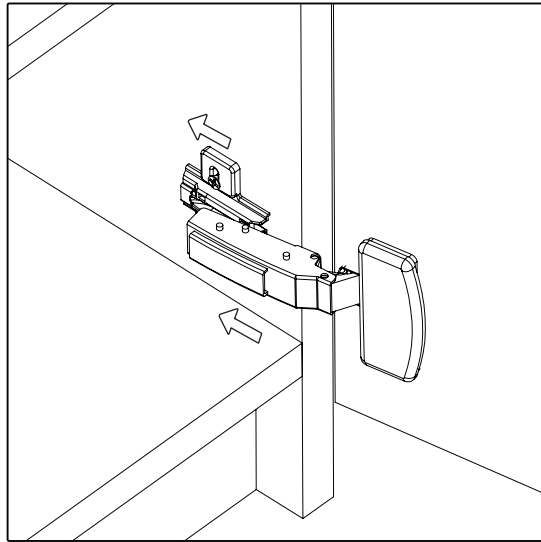


Step 21

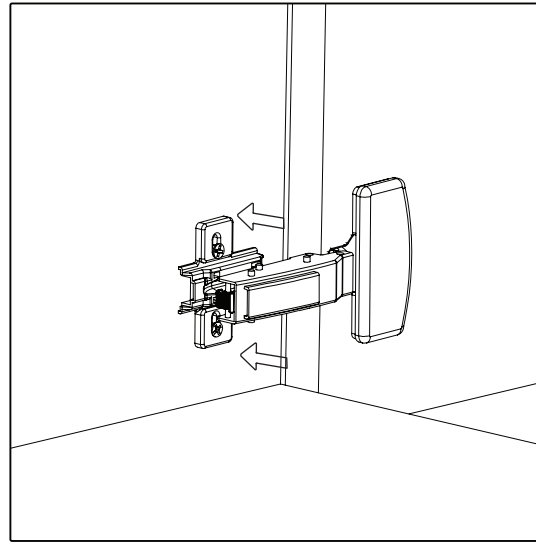


Step : Attaching the Door

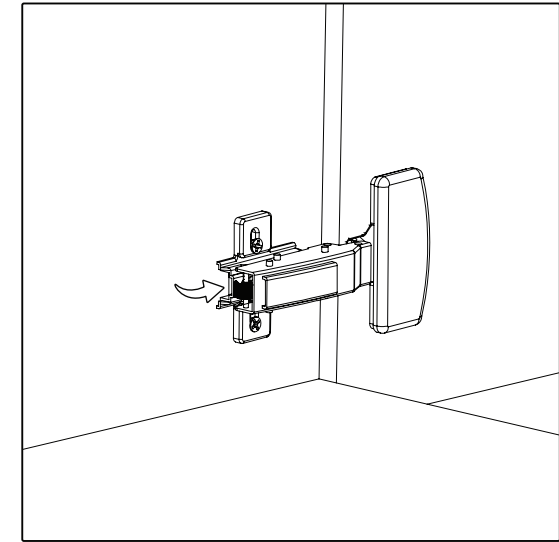
Step 1



Step 2

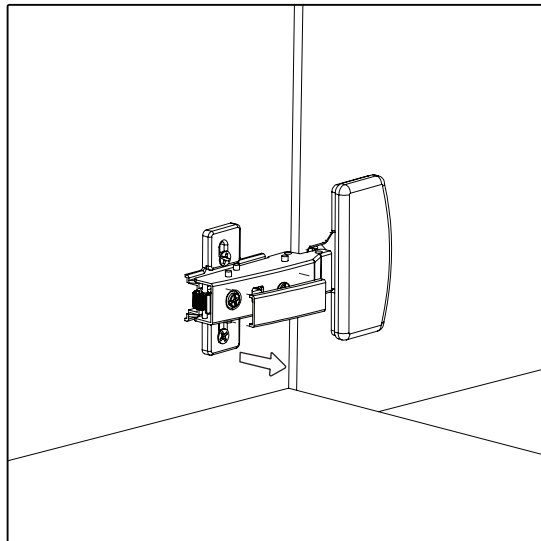


To remove the Door

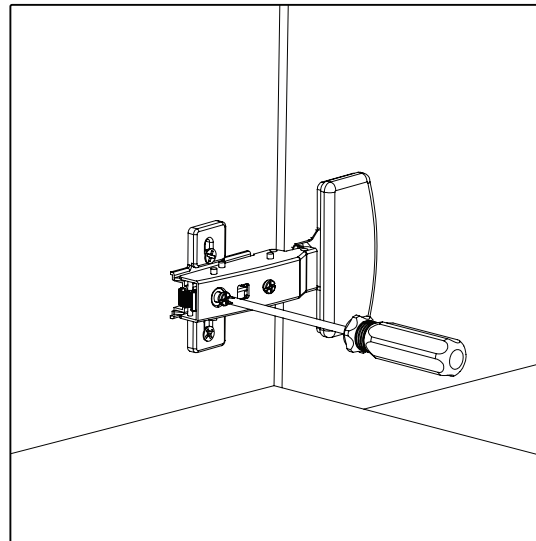


Step : Door Adjustment

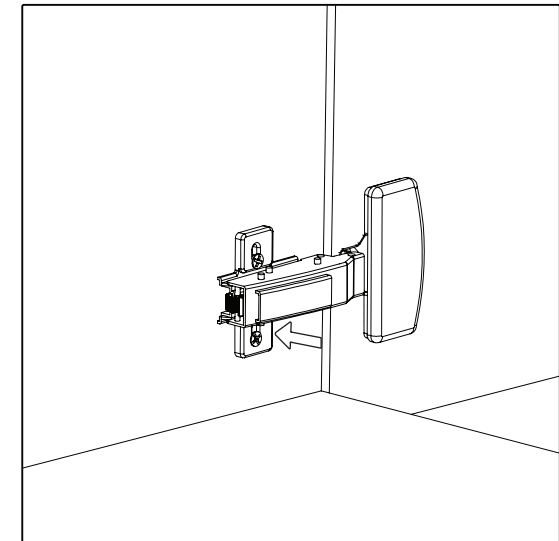
Step 1



Step 2



Step 3



 **ONLINE**
Bedrooms