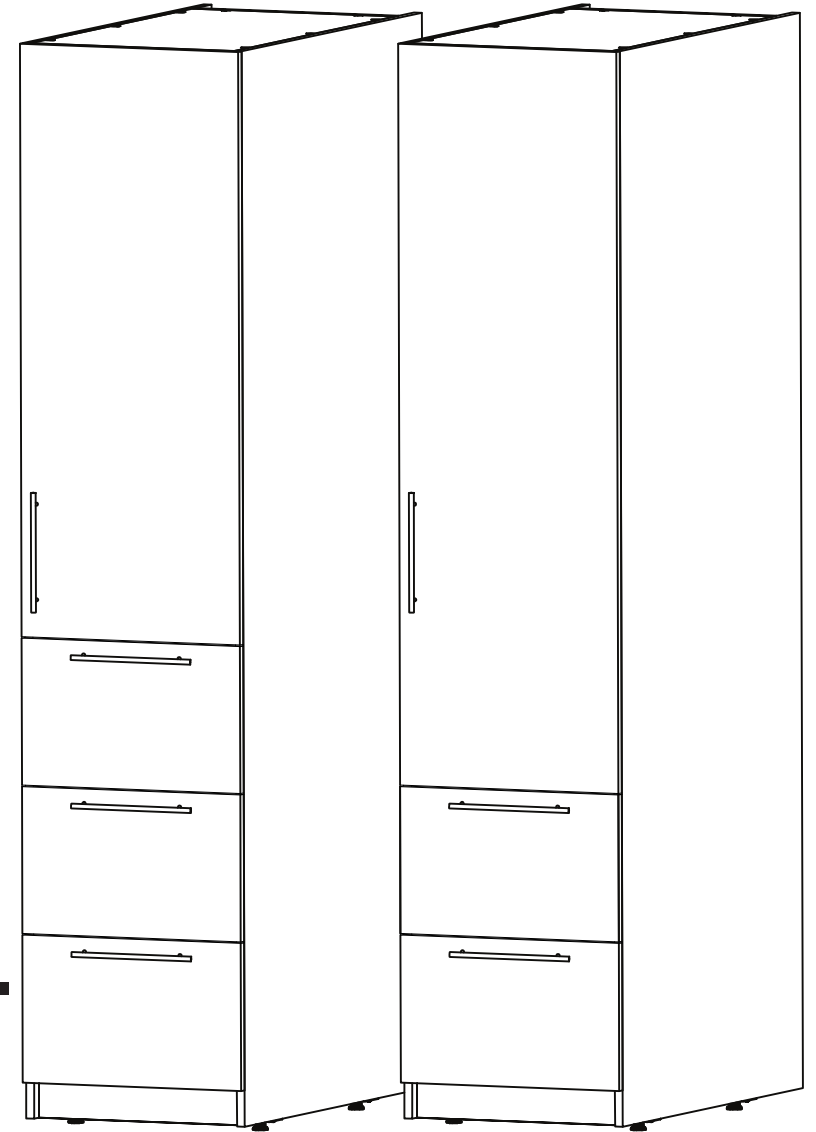
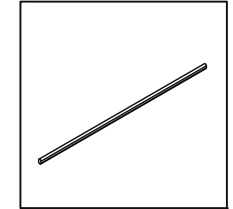
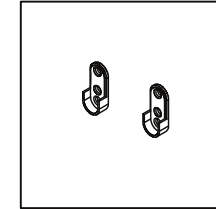
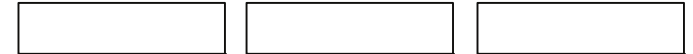
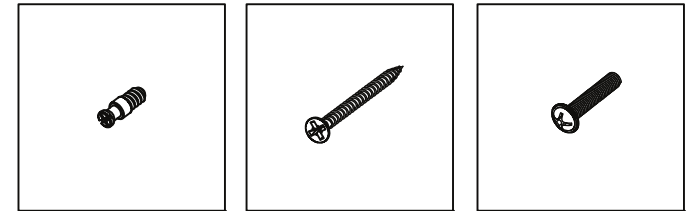
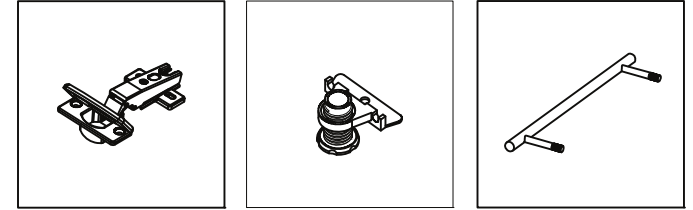


 ONLINE
Bedrooms

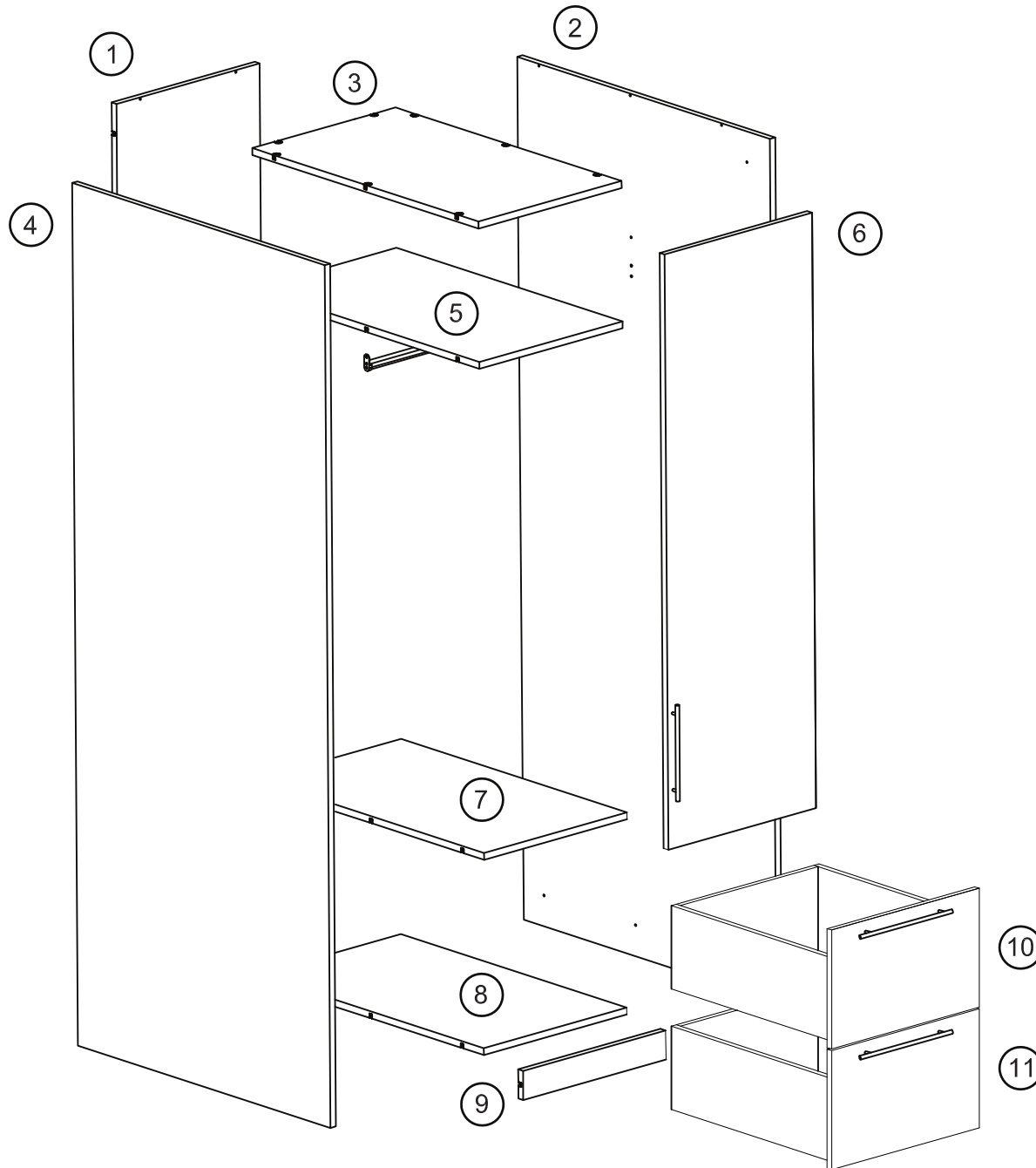
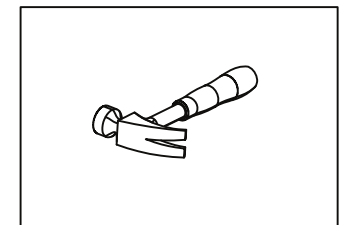
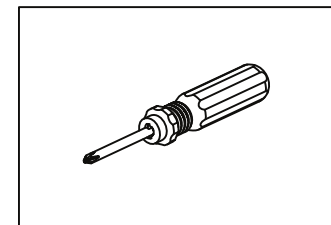
**WARDROBE
ASSEMBLY INSTRUCTIONS.**



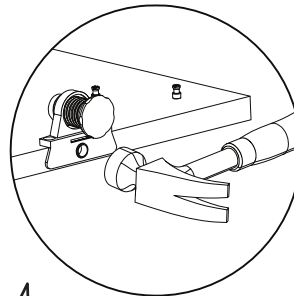
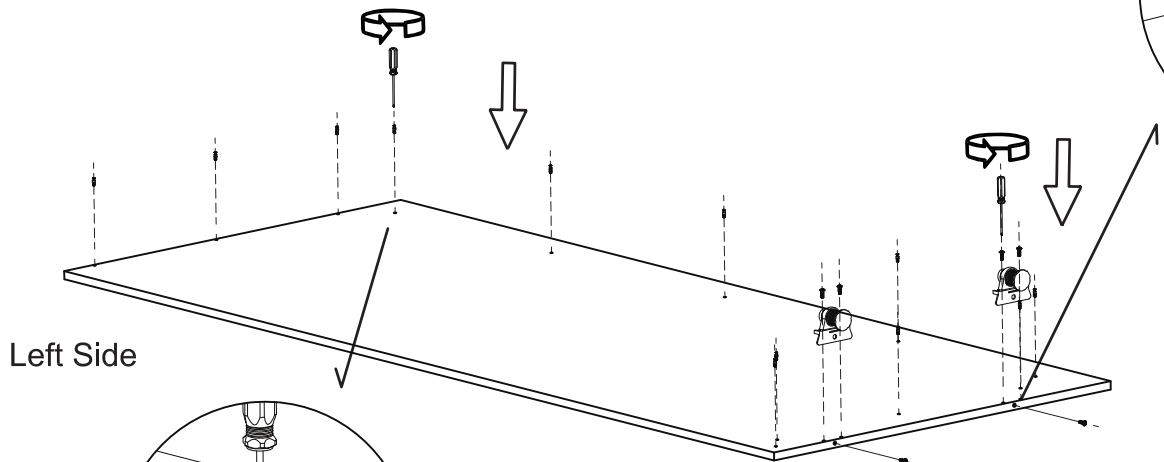
Parts



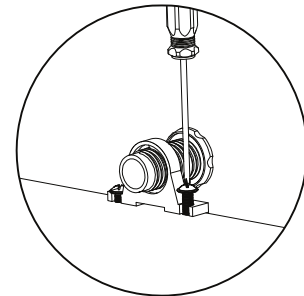
Tools



Step 01

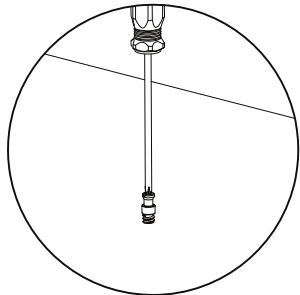


Step 1:
Hammer the
Leg in first

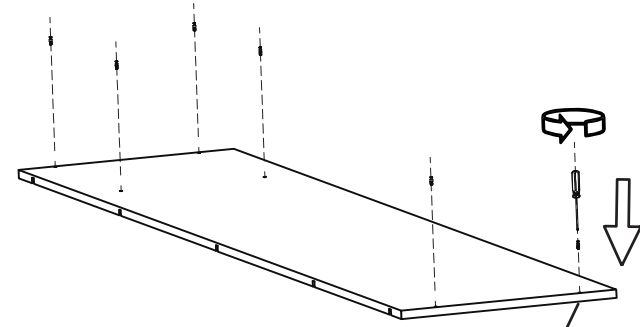


Step 2:
Screw it in
place

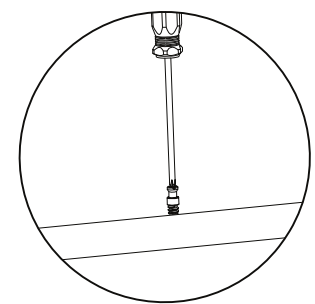
Left Side



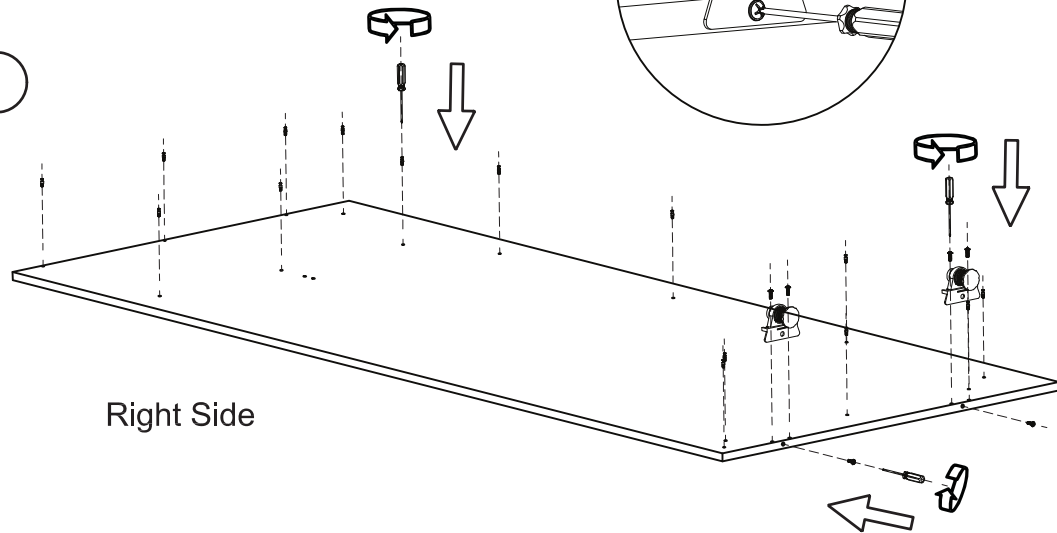
Step 03



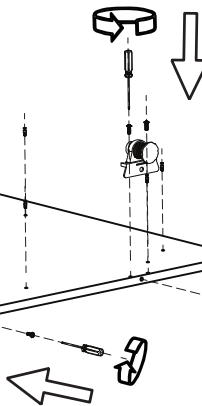
Back Side



Step 02

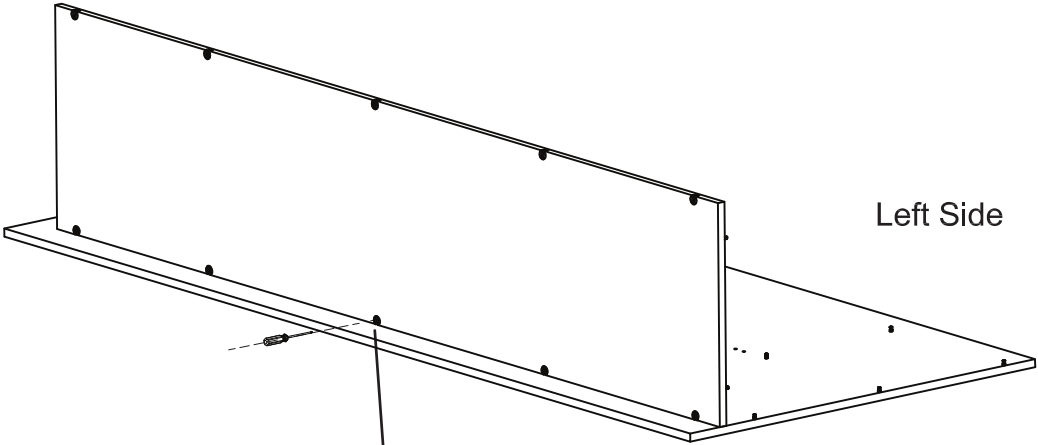


Right Side



Back Side

Left Side



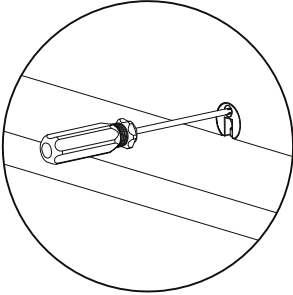
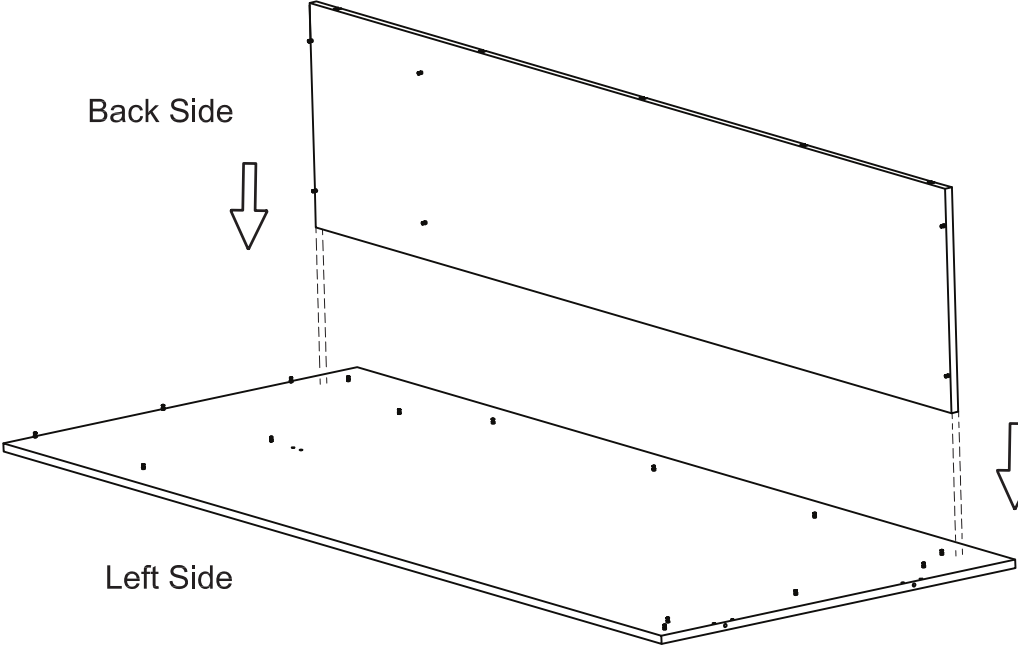
Step 04

Step 05

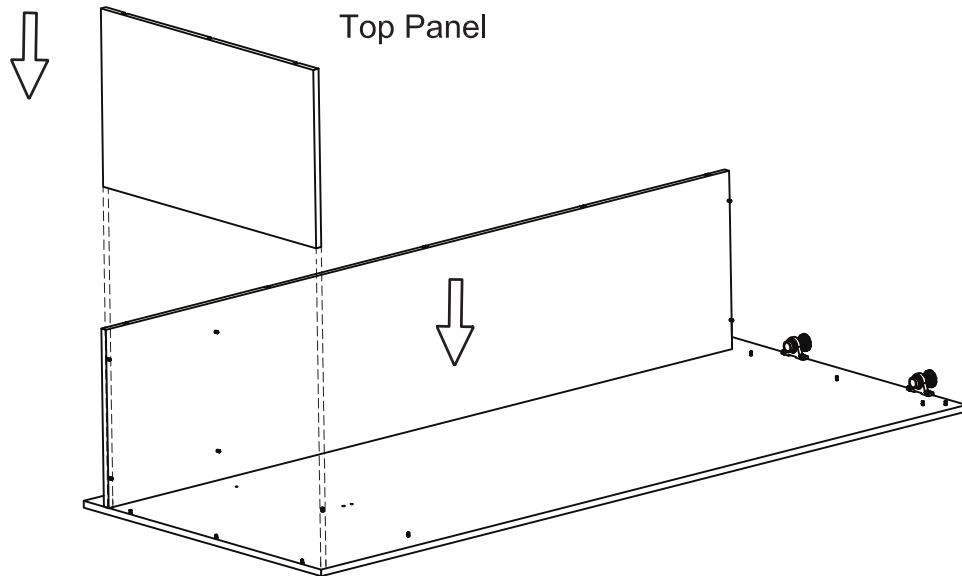
Back Side



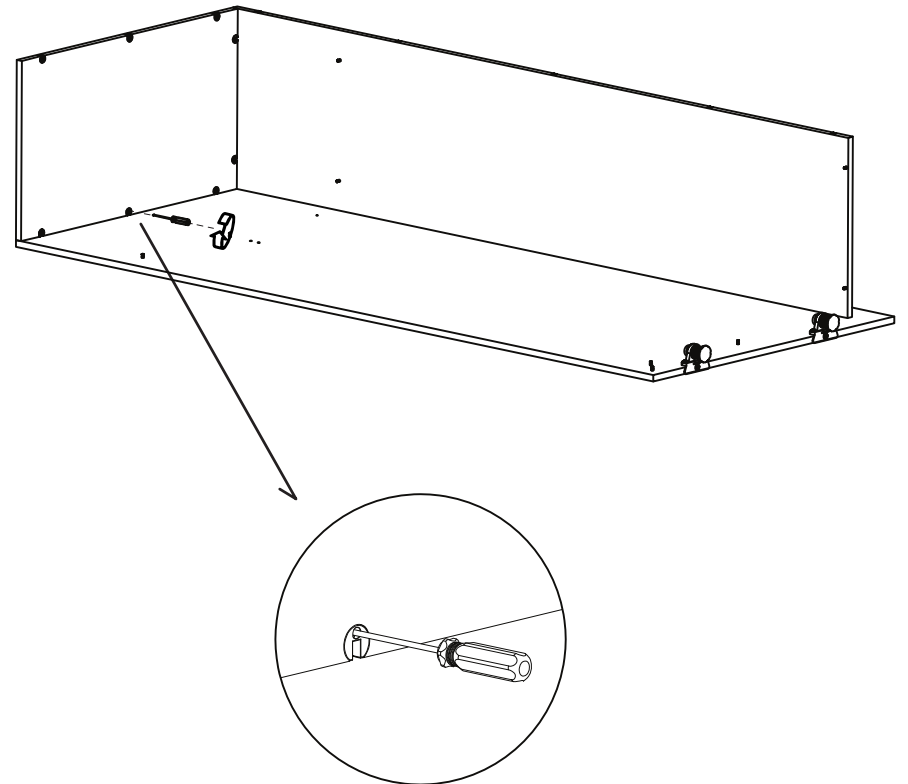
Left Side



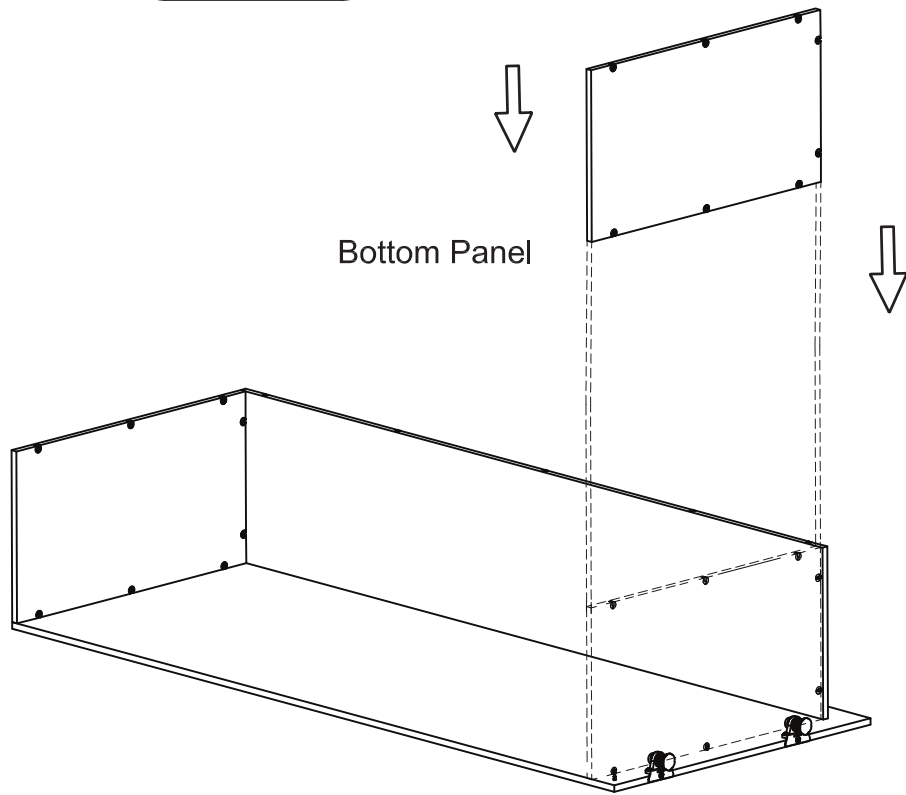
Step 06



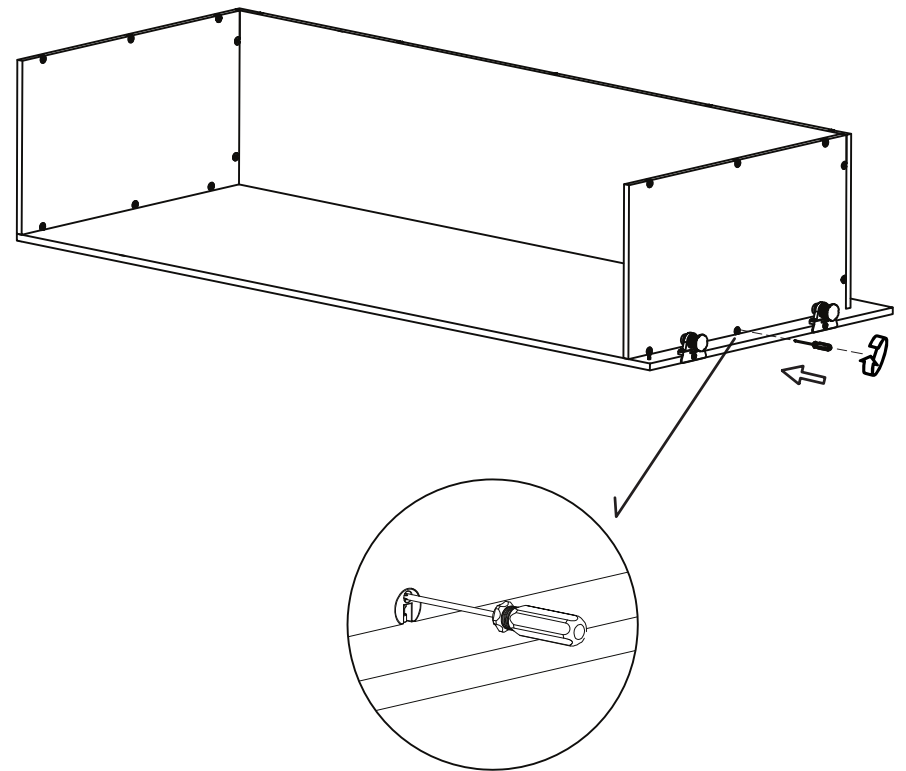
Step 07



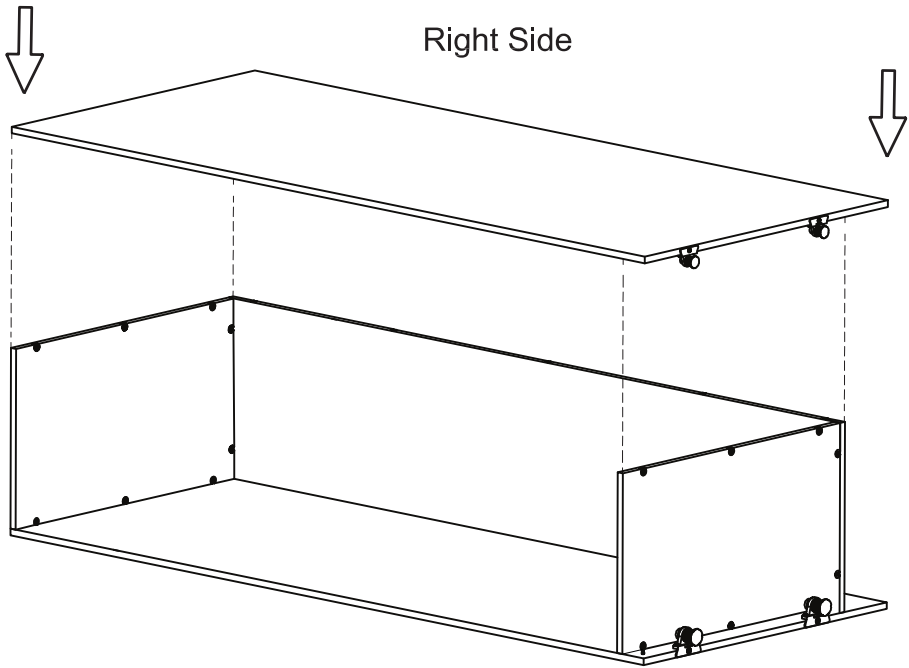
Step 08



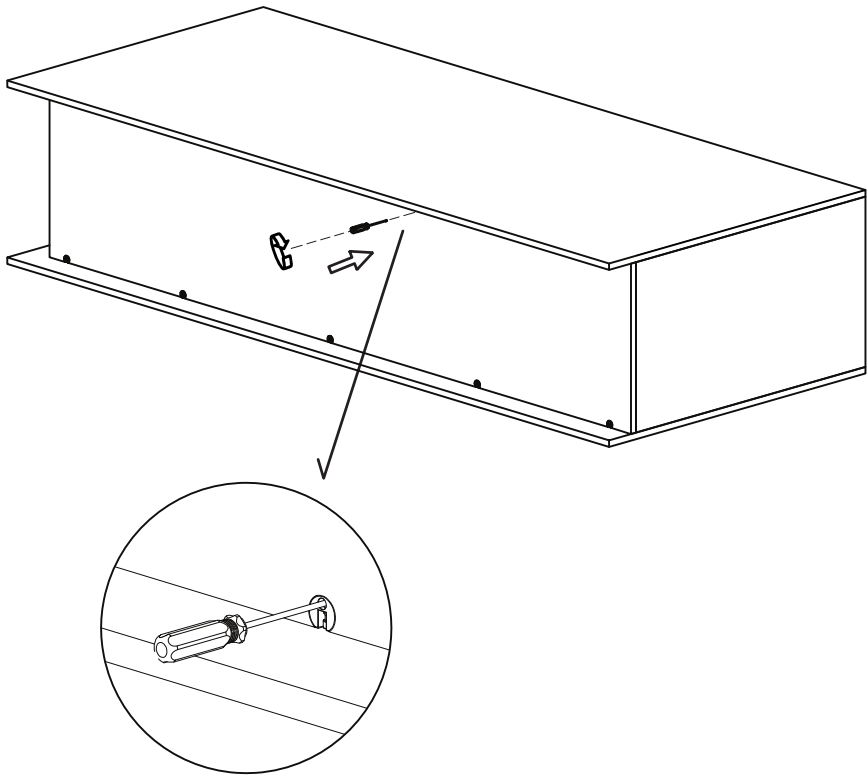
Step 9



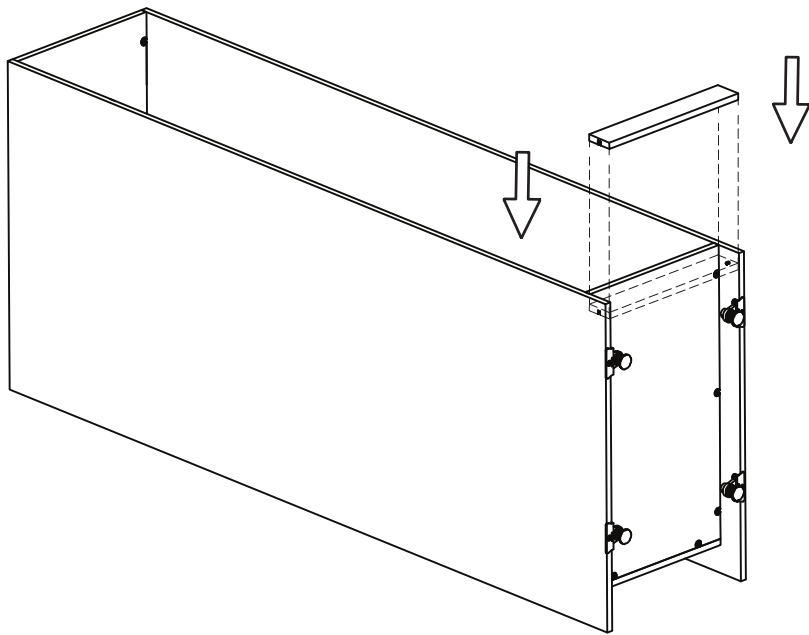
Step 10



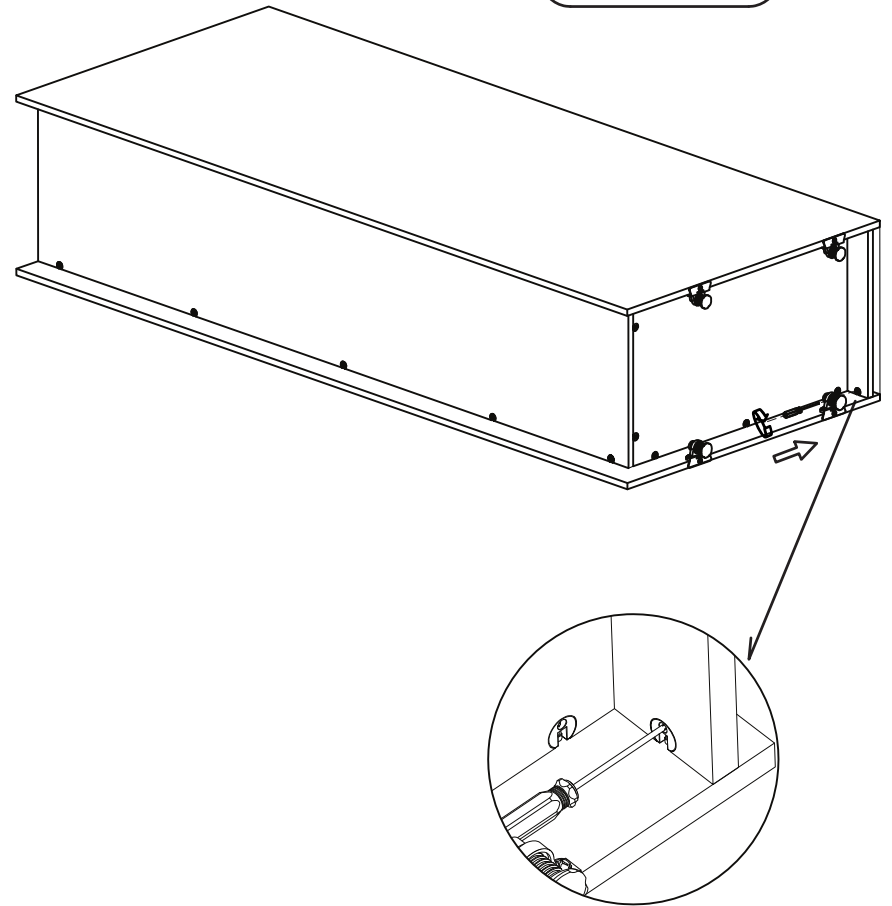
Step 11



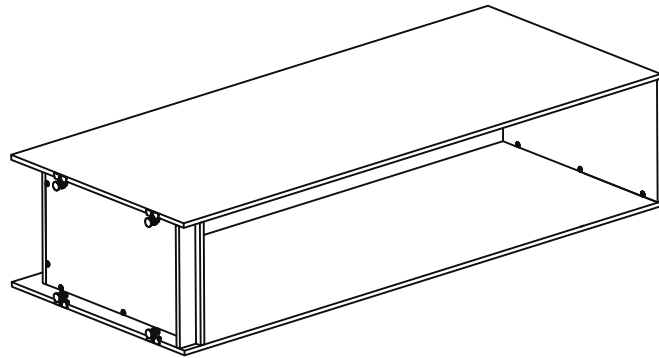
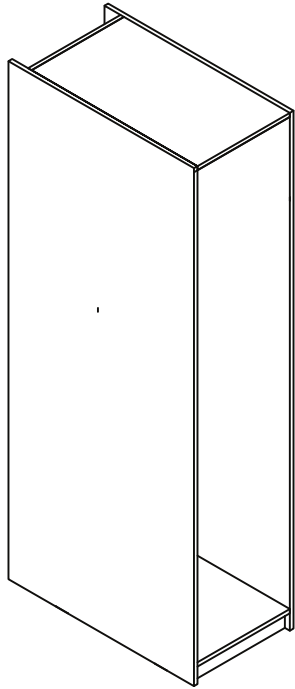
Step 12



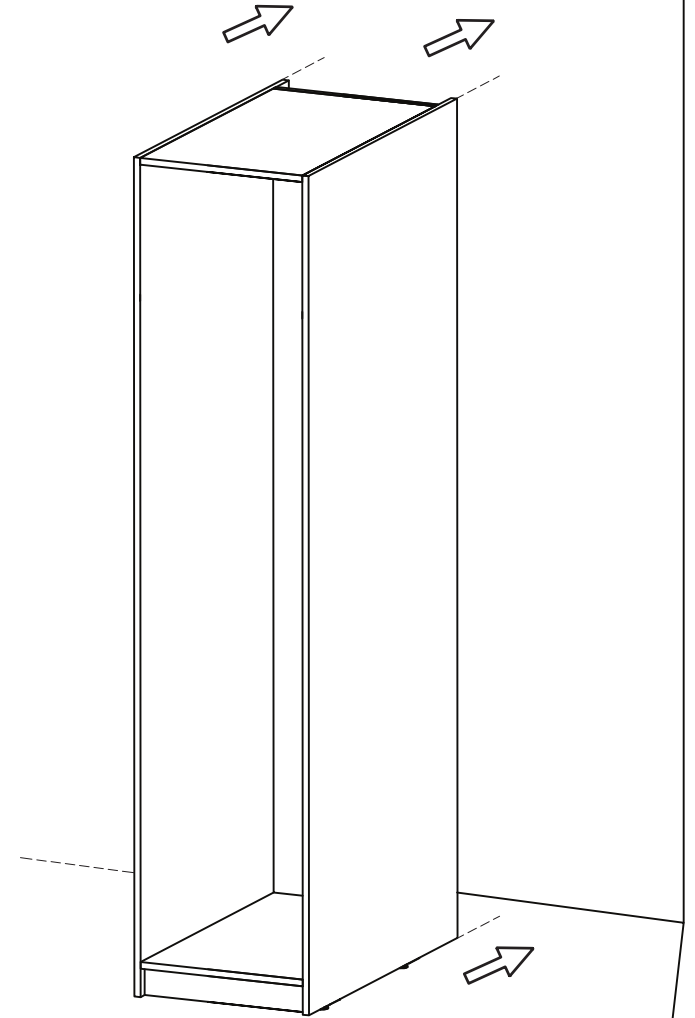
Step 13



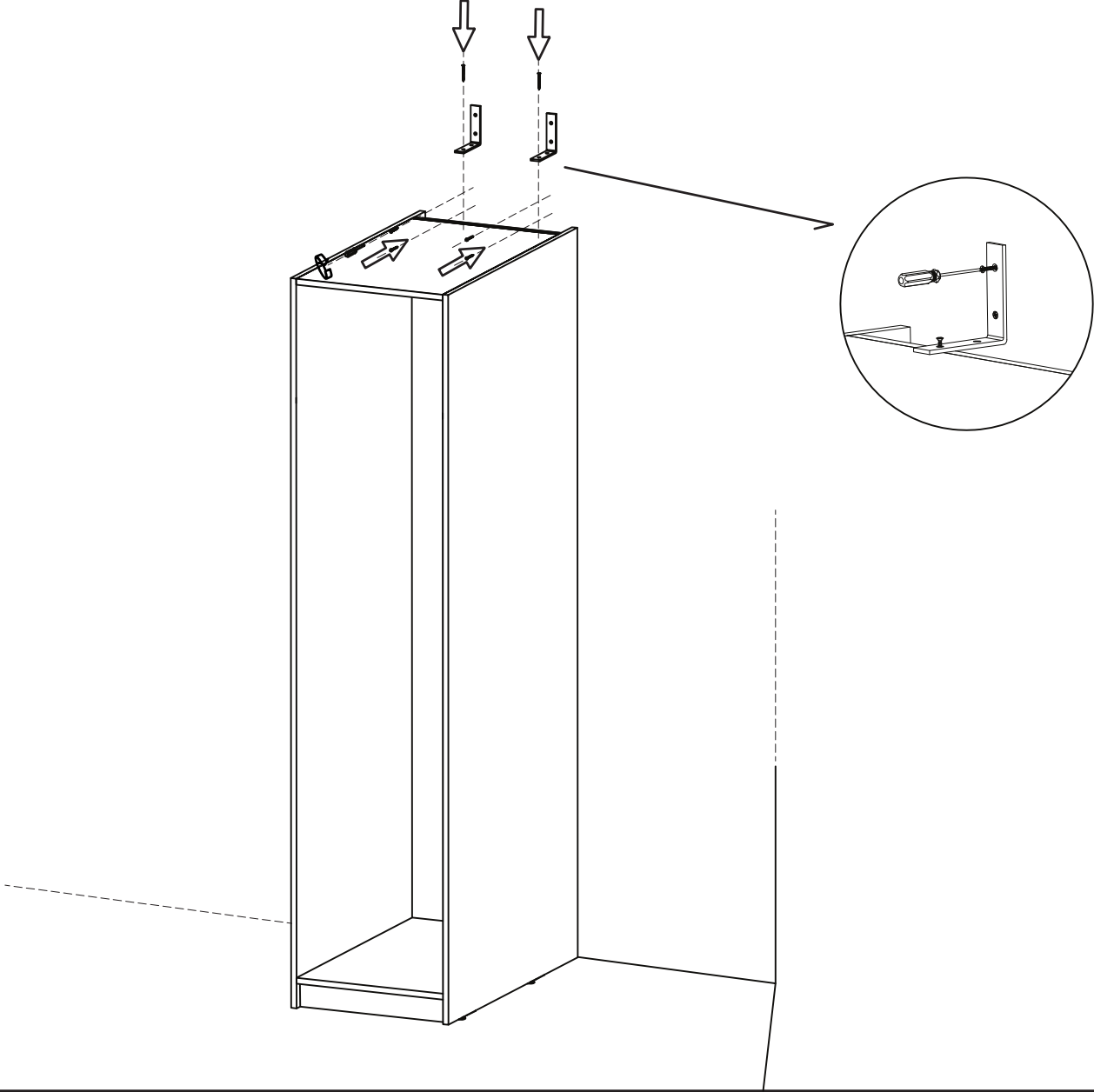
Step 14



Step 15

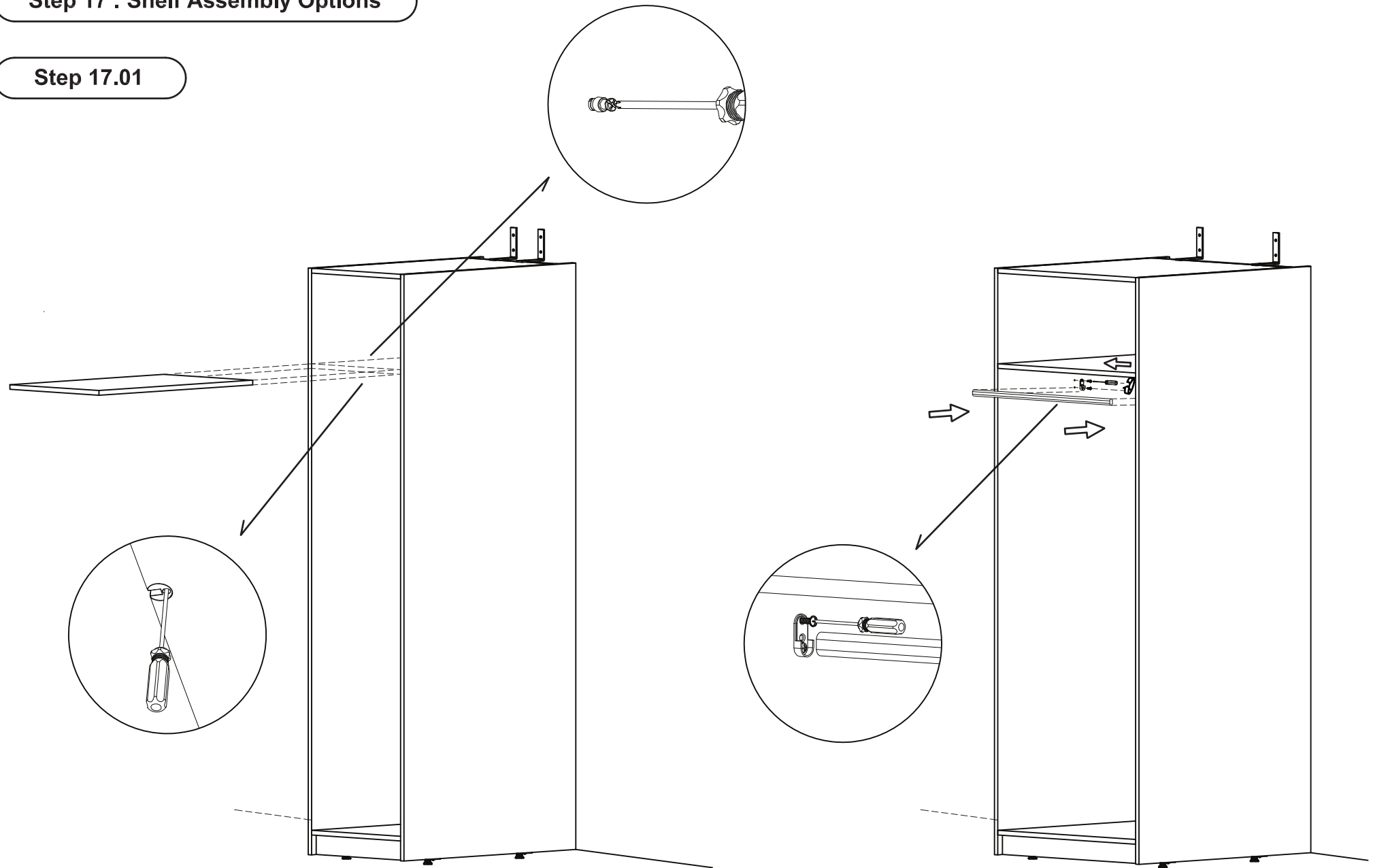


Step 16



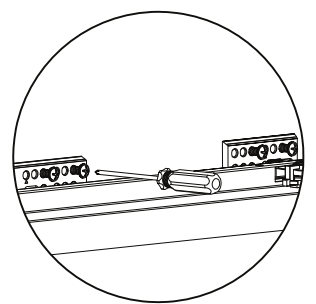
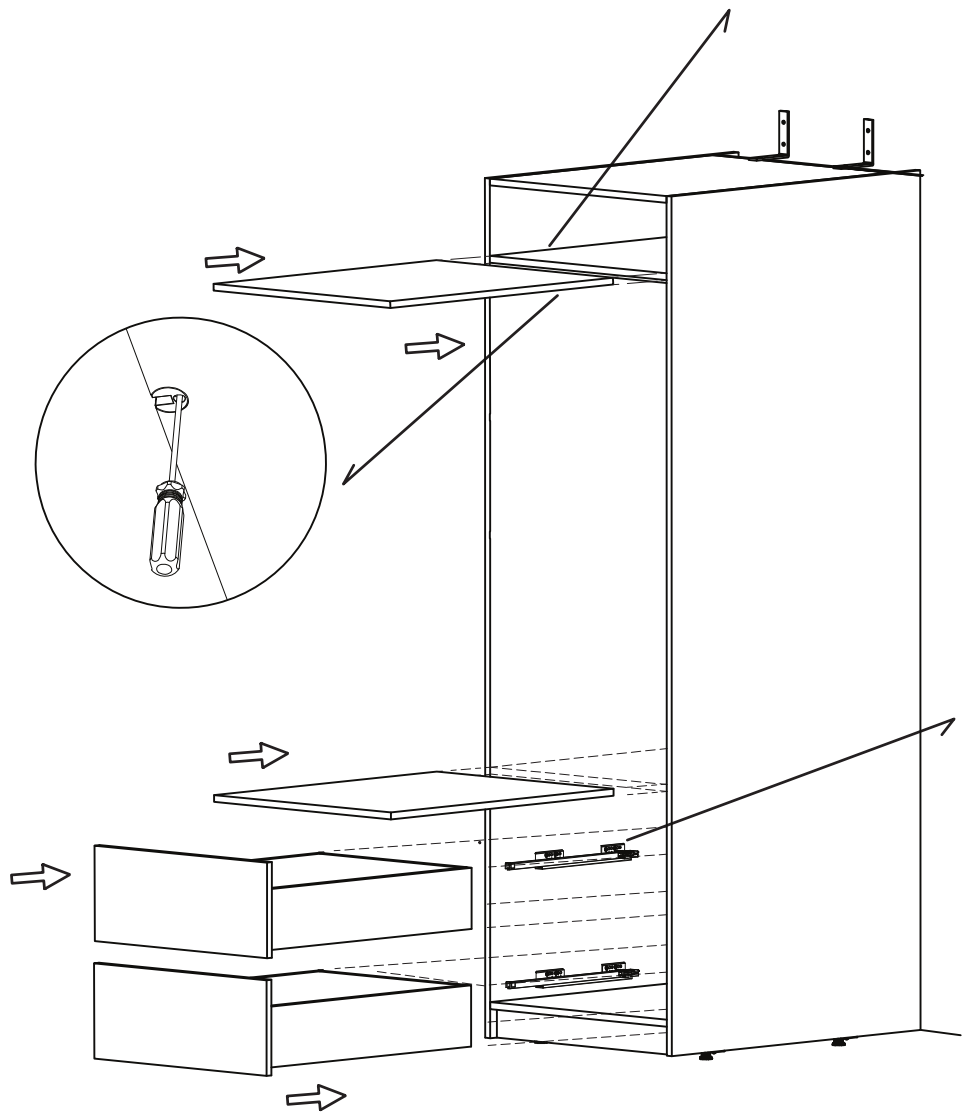
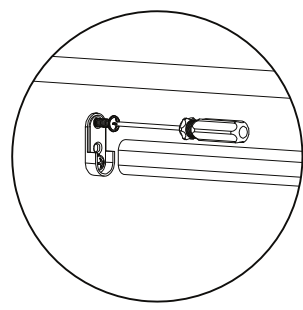
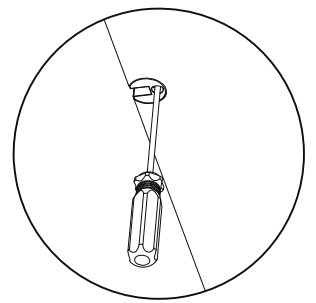
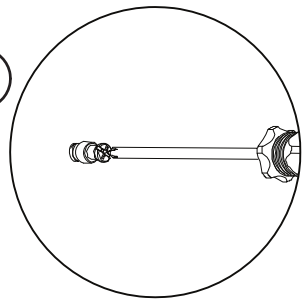
Step 17 : Shelf Assembly Options

Step 17.01

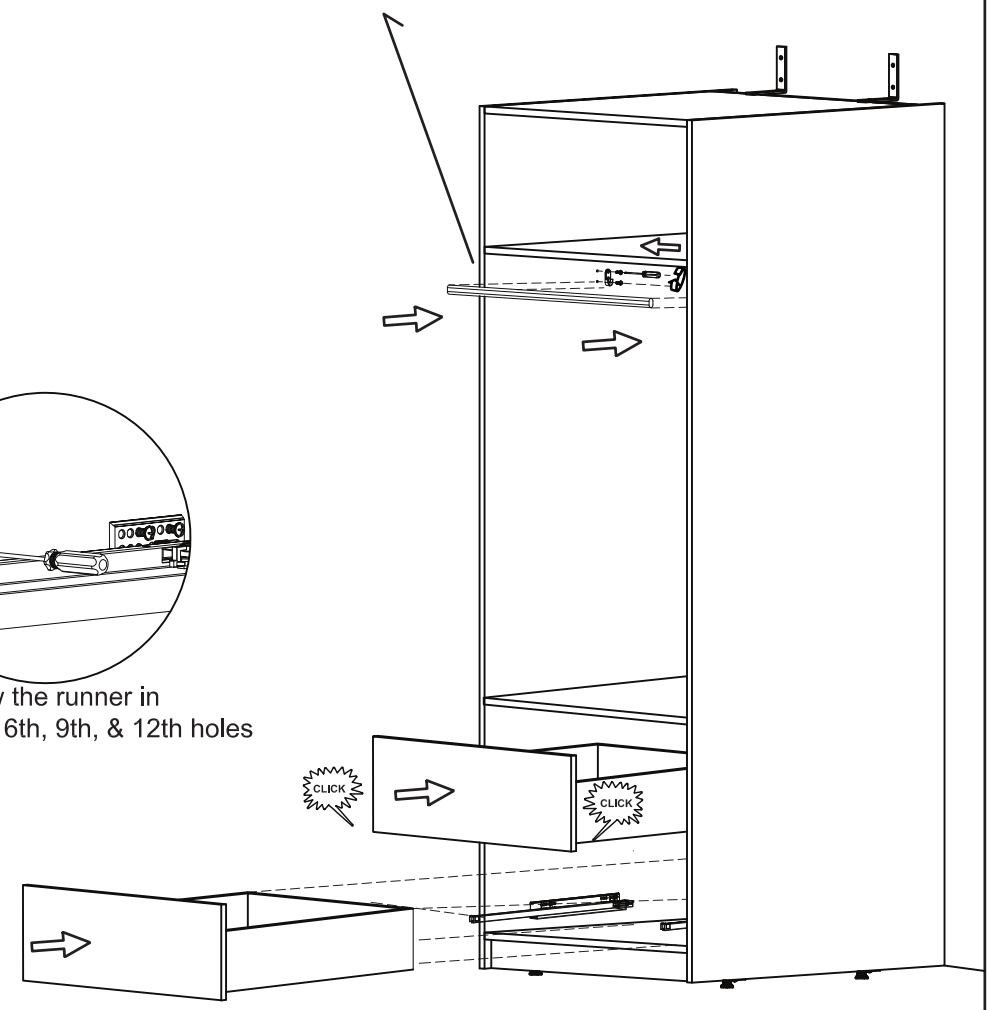


Step 17 : Shelf Assembly Options

Step 17.02

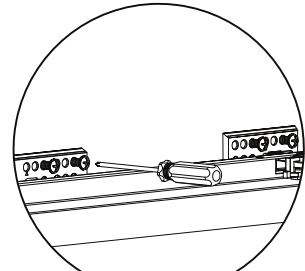
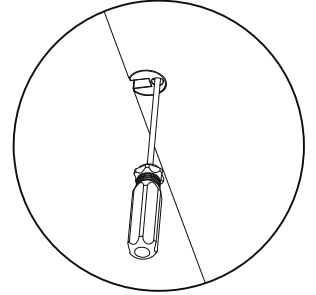
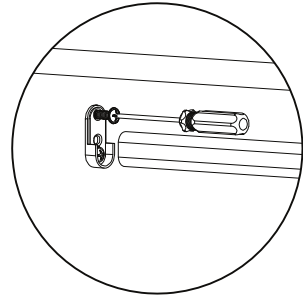
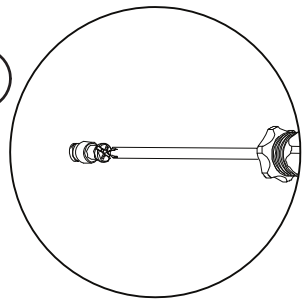


Screw the runner in using the 3rd, 6th, 9th, & 12th holes

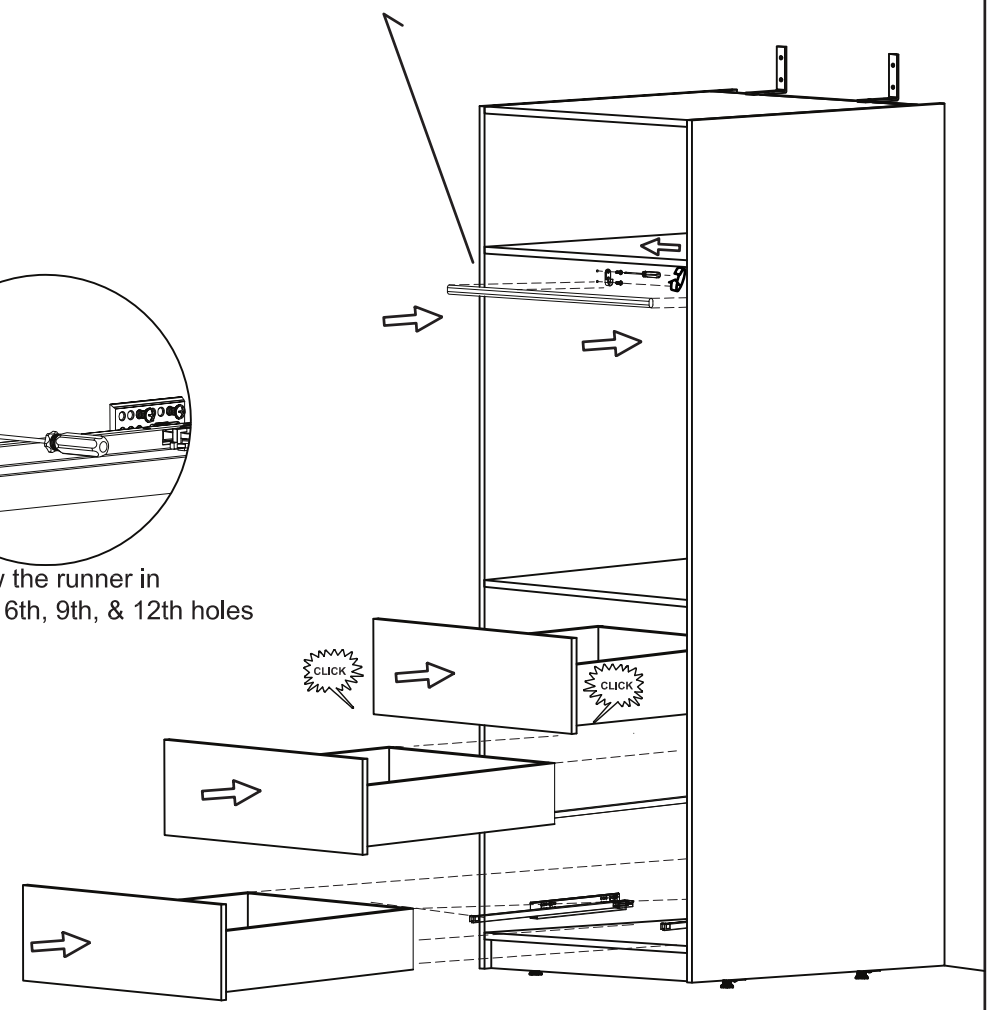
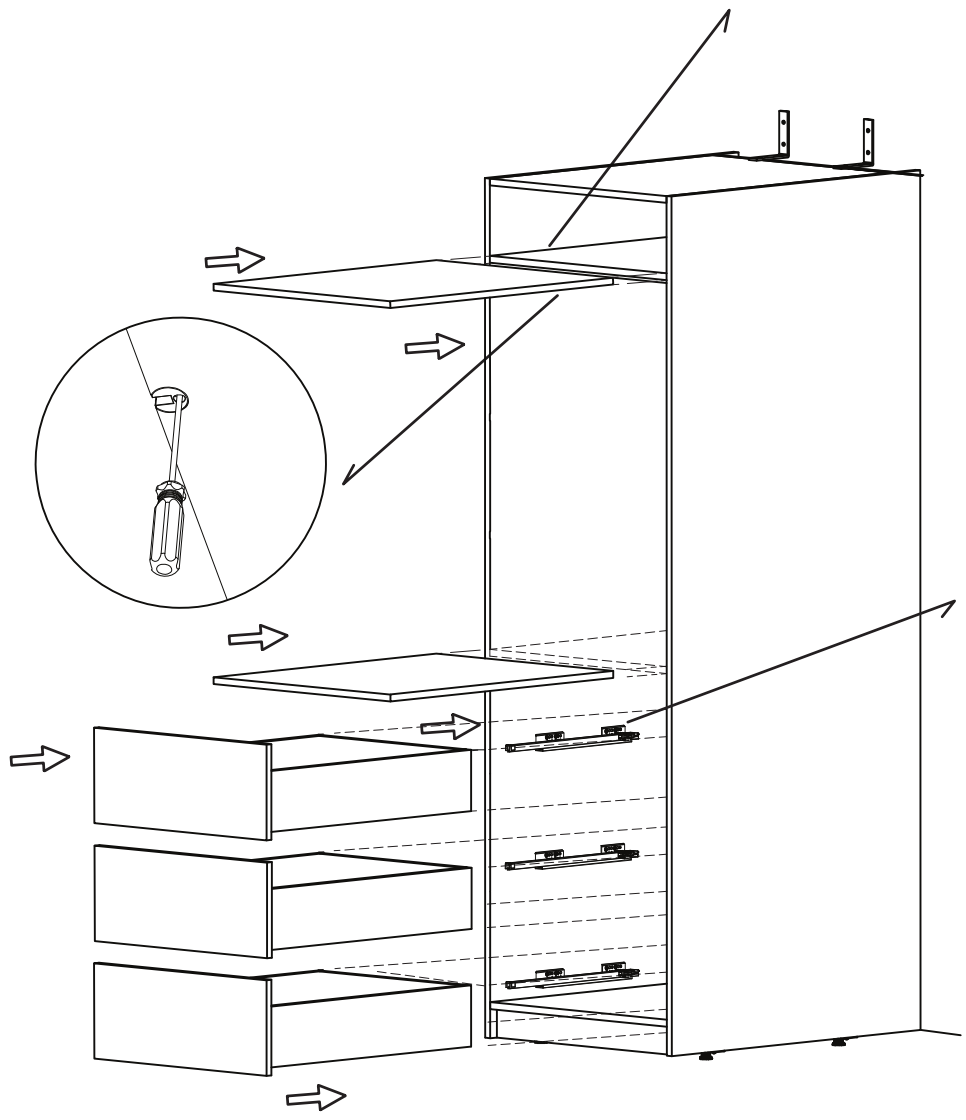


Step 17 : Shelf Assembly Options

Step 17.03

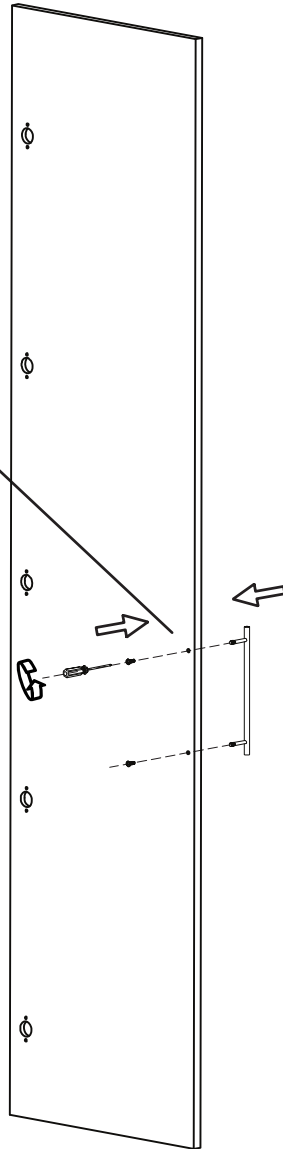
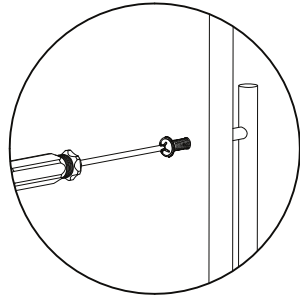


Screw the runner in using the 3rd, 6th, 9th, & 12th holes

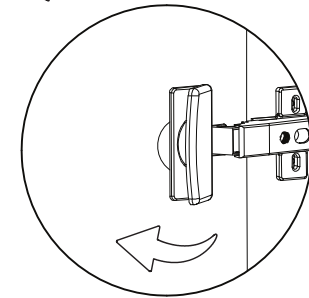
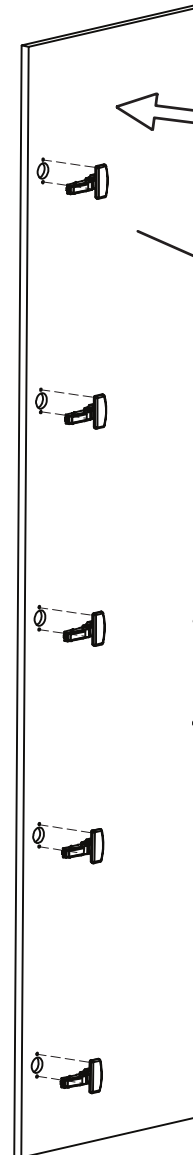


Step 18

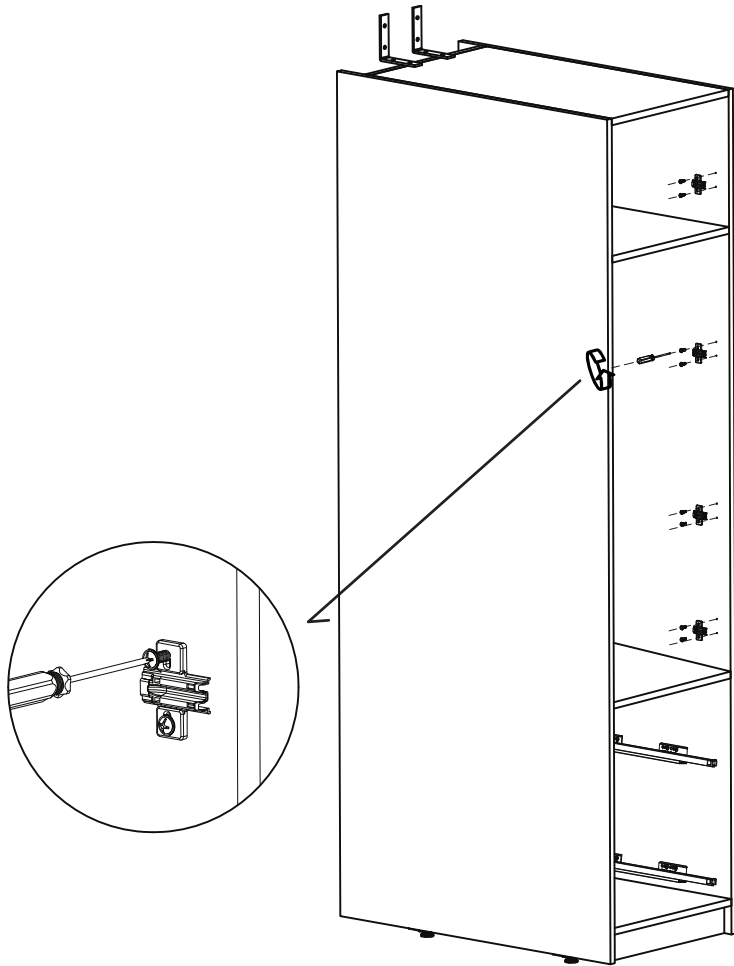
Note: Doors are supplied undrilled so you will need to drill your own handle holes at whichever height you prefer.



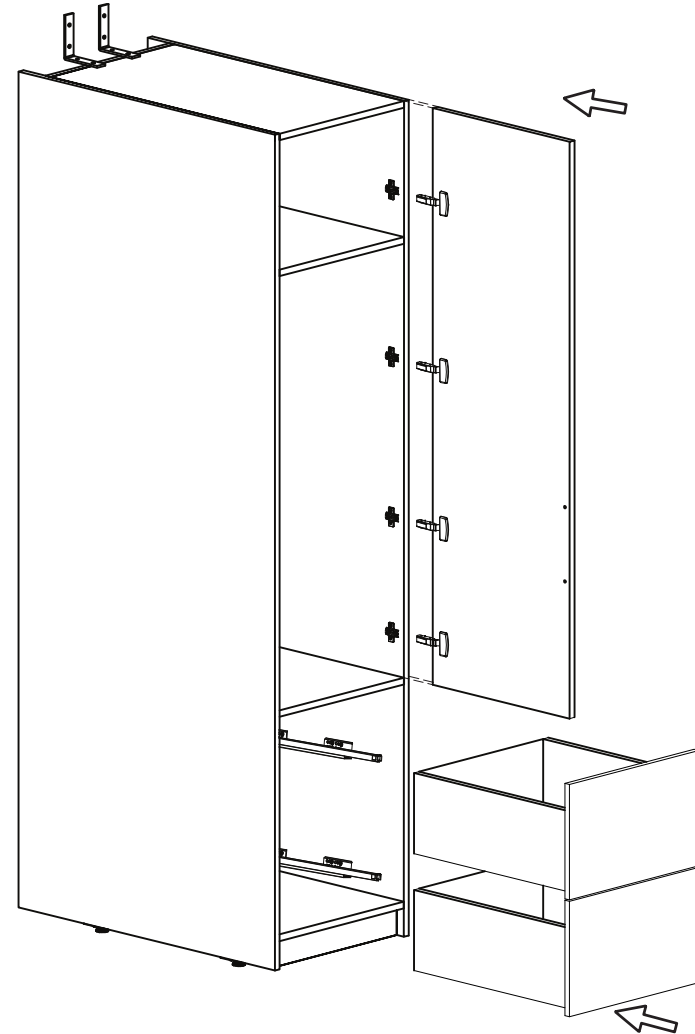
Step 19



Step 20

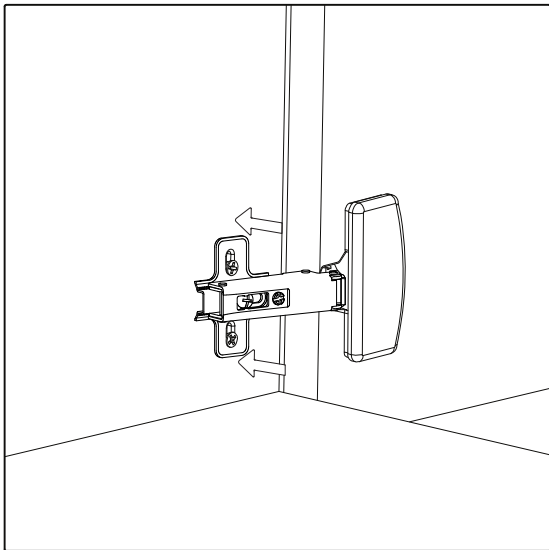


Step 21

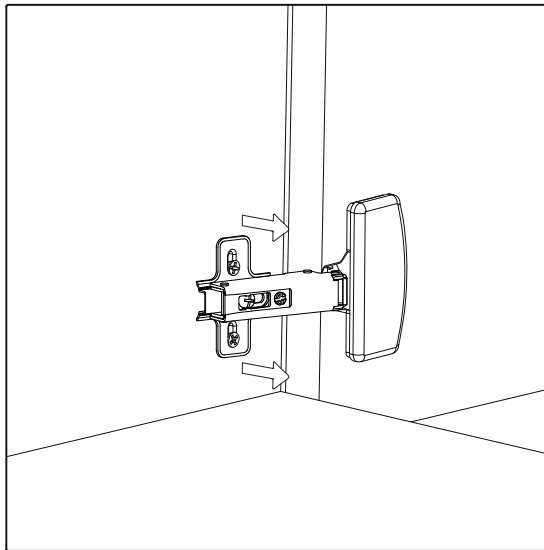


Step : Attaching the Door

Step 1

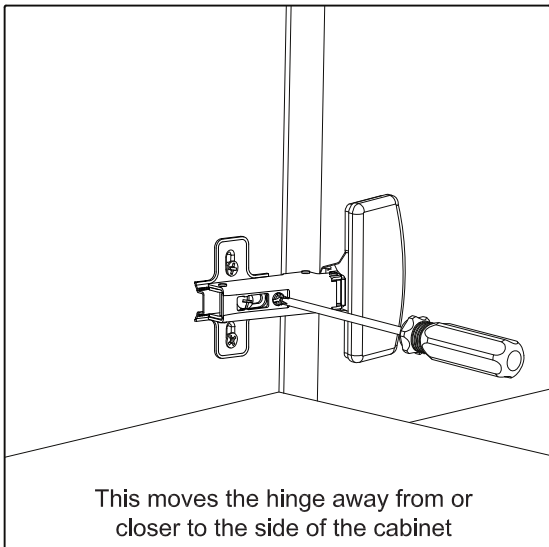


To remove the Door

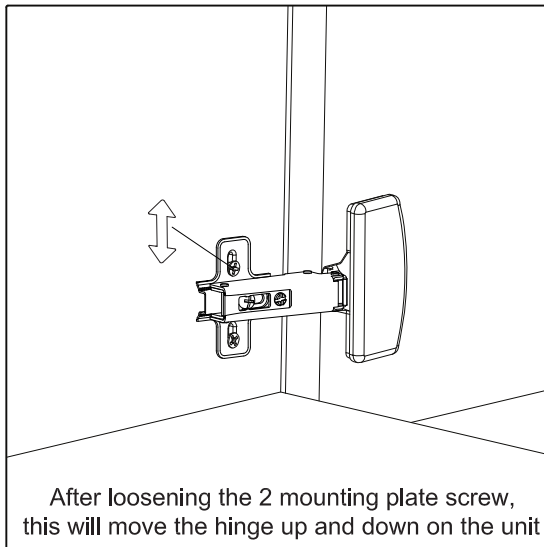


Step : Door Adjustment

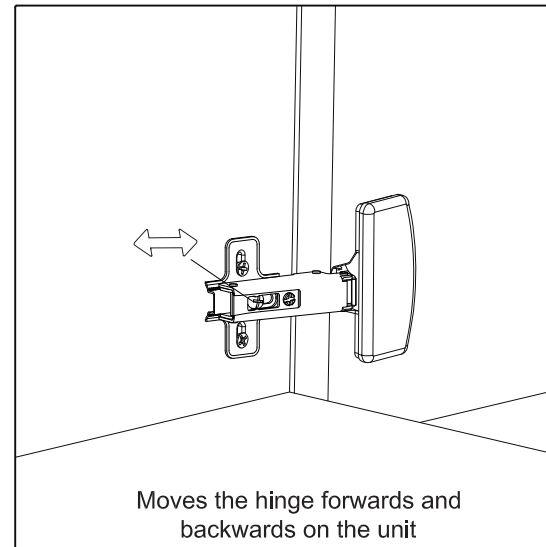
Step 1



Step 2



Step 3





ONLINE
Bedrooms