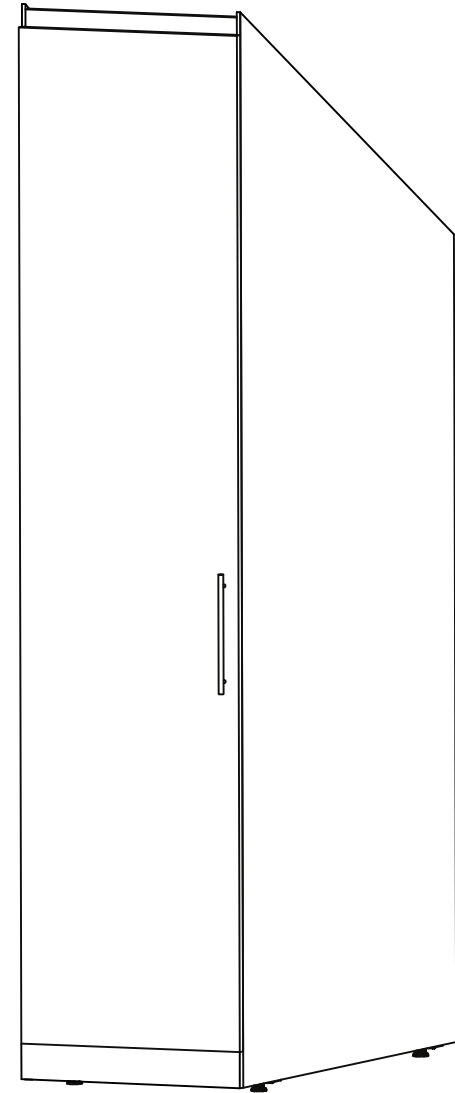
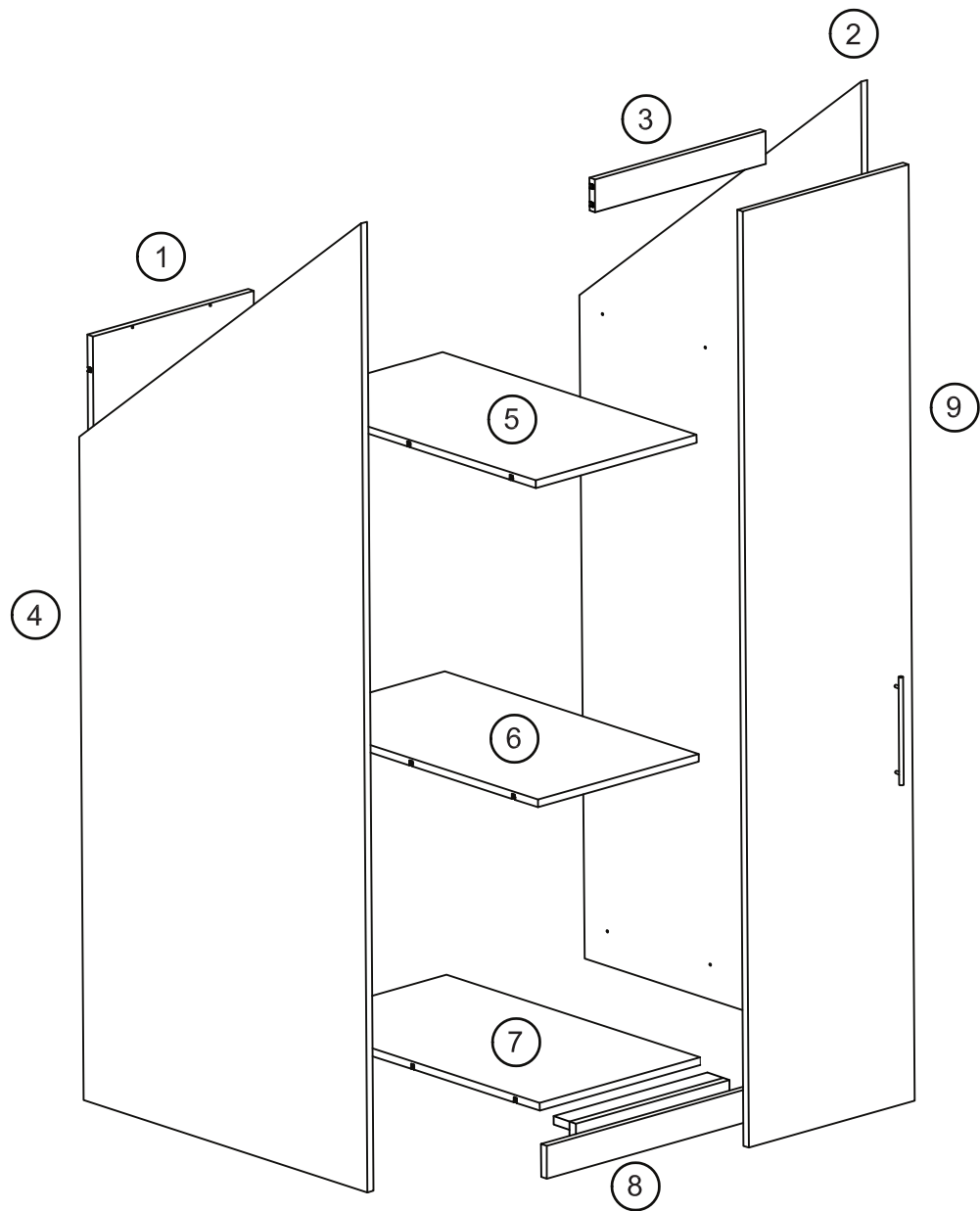


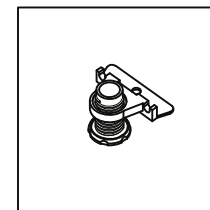
 ONLINE
Bedrooms

**ANGLED BACK UNIT
ASSEMBLY INSTRUCTIONS.**

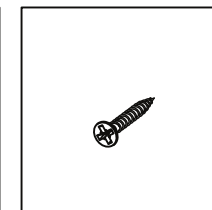




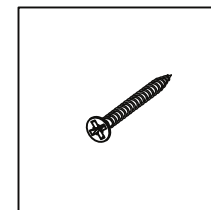
Parts



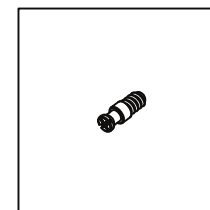
4 x Legs per unit



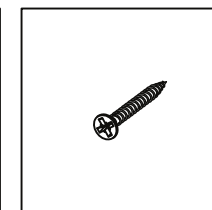
Bag of 17mm Screws



Bag of 40mm Screws

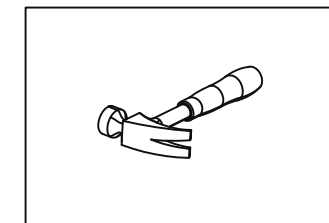
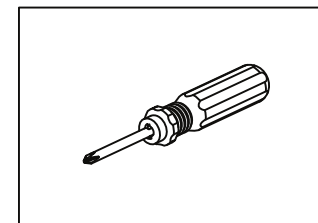


Bag of Cam Screws

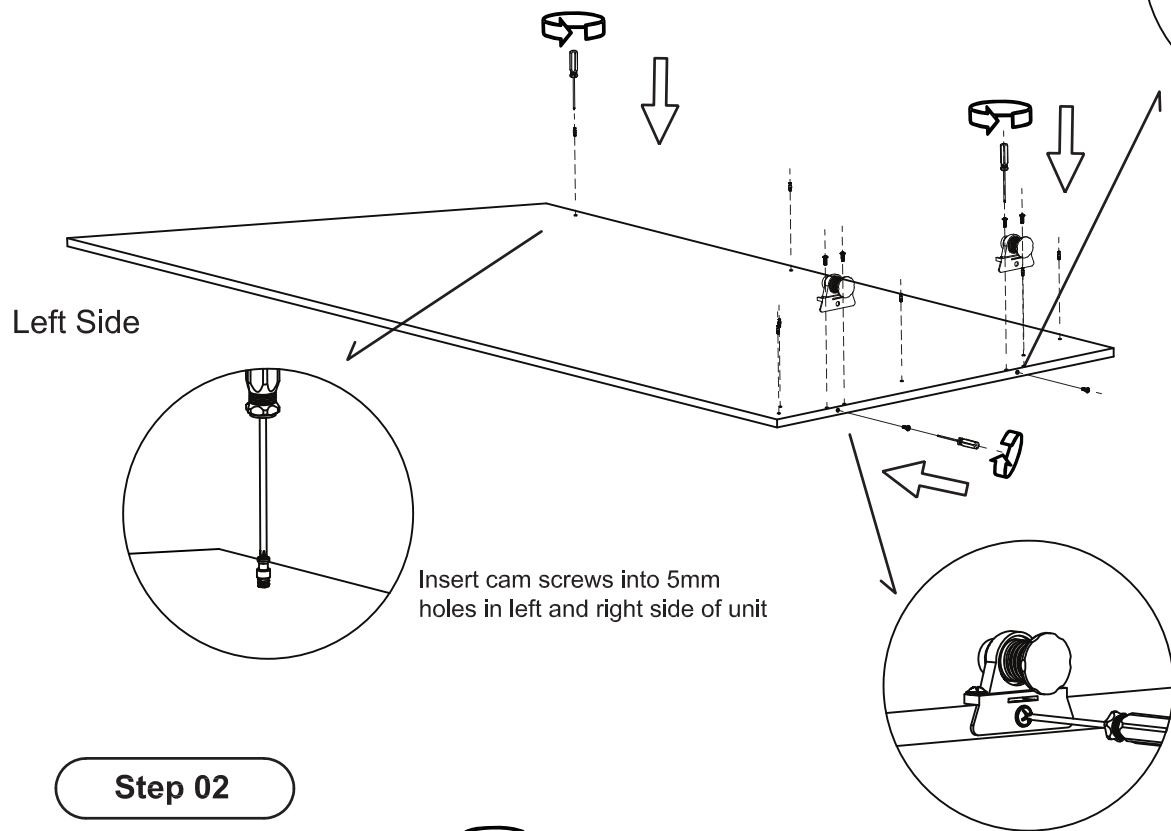


Bag of 30mm Screws

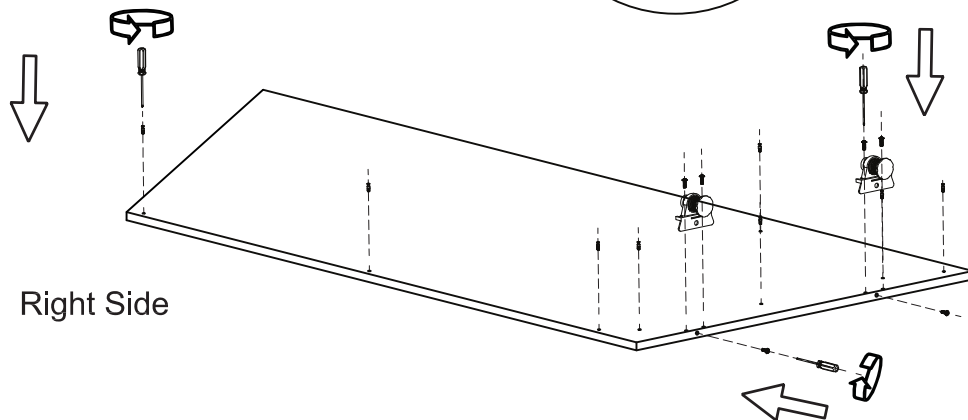
Tools



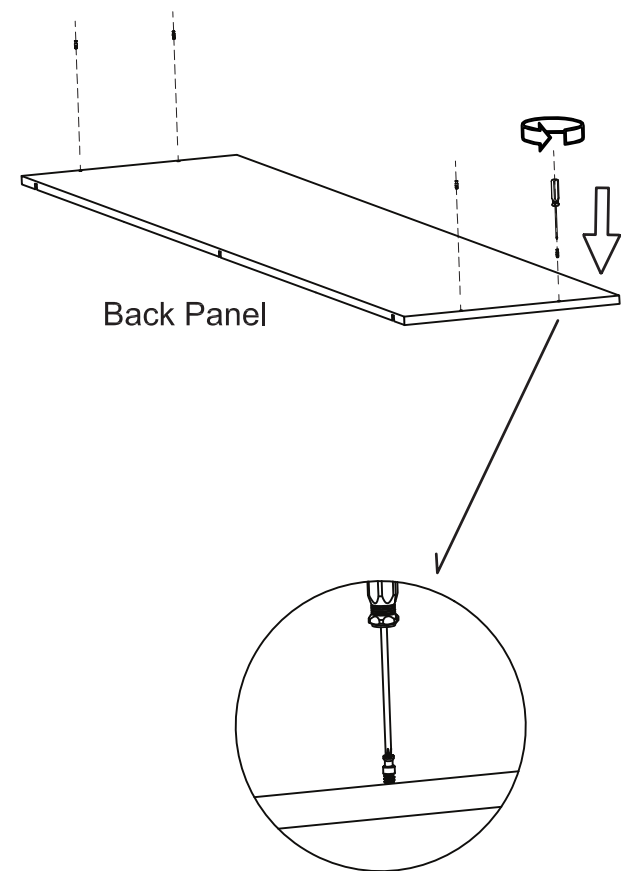
Step 01



Step 02

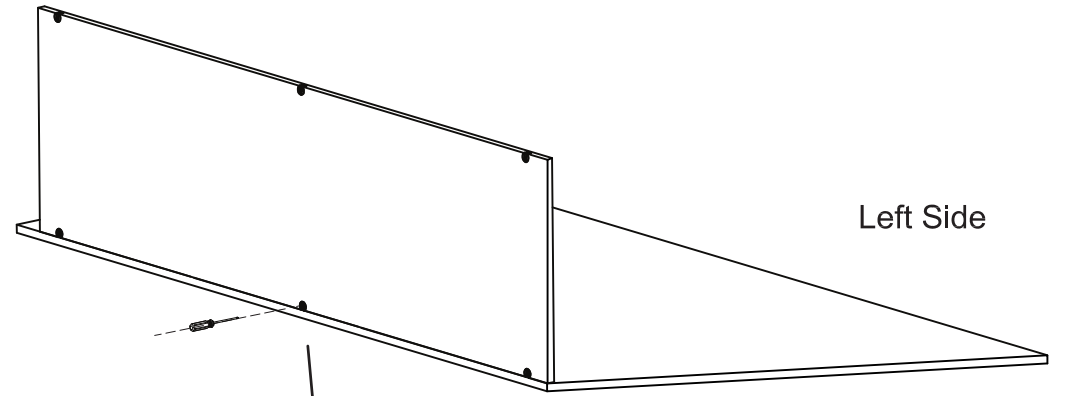


Step 03



Back Panel

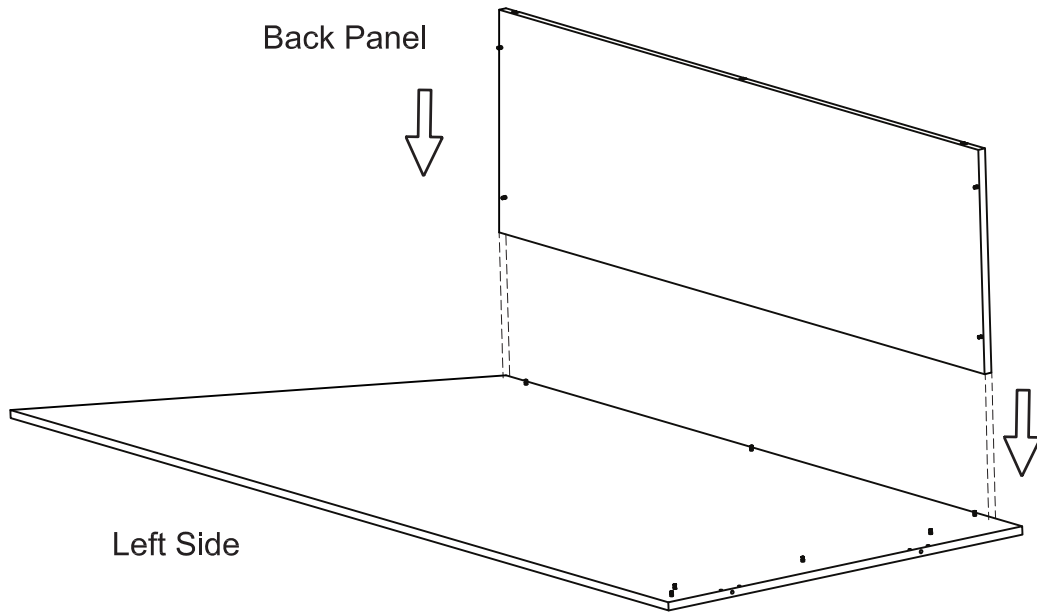
Left Side



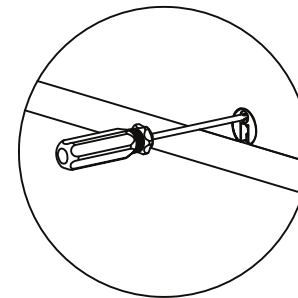
Step 04

Back Panel

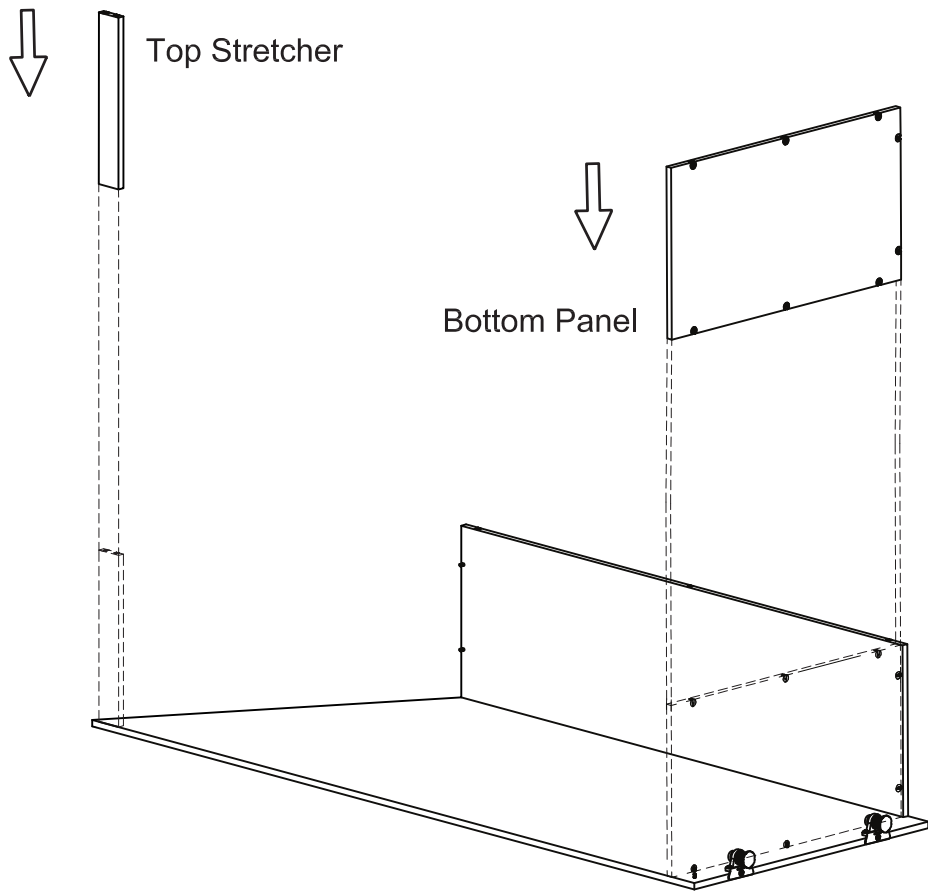
Step 05



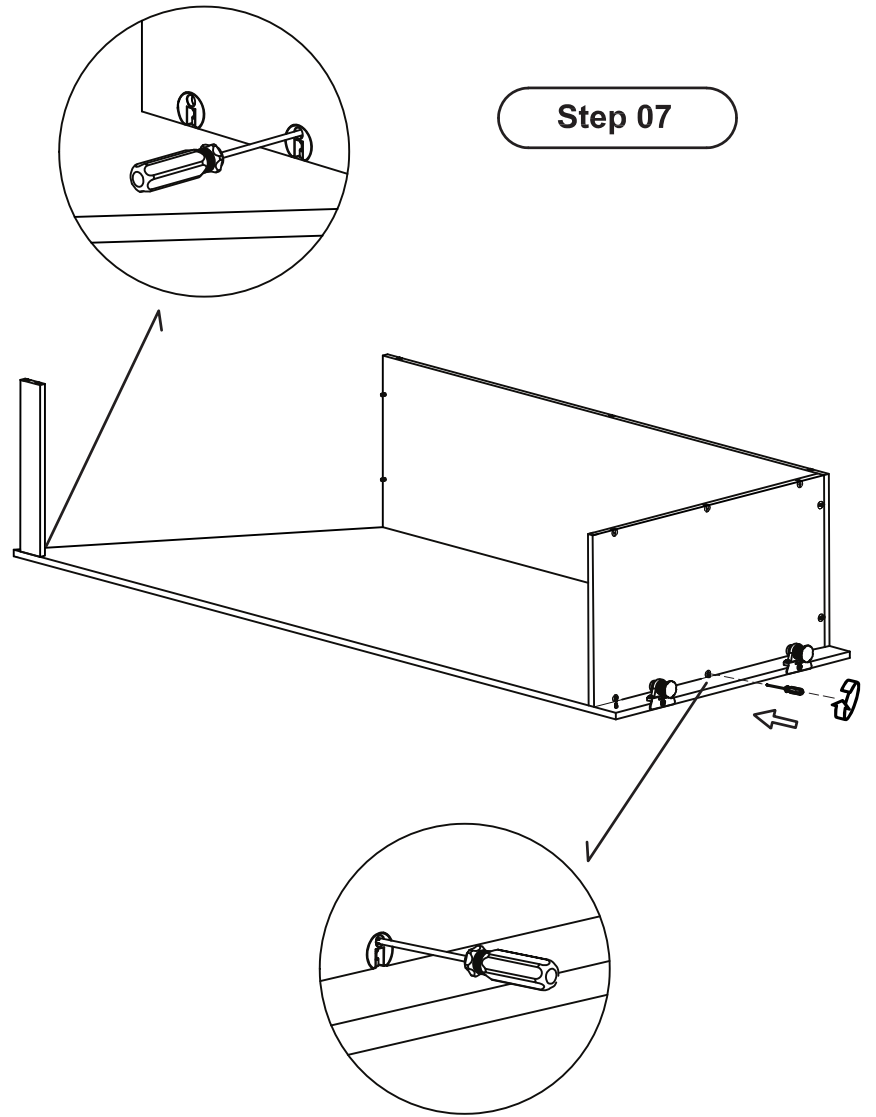
Left Side



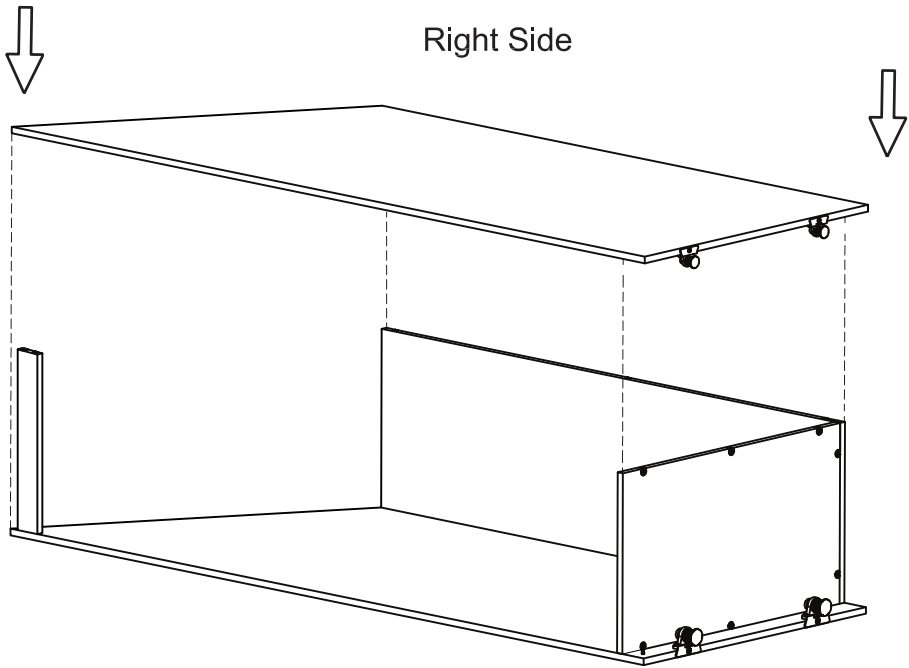
Step 06



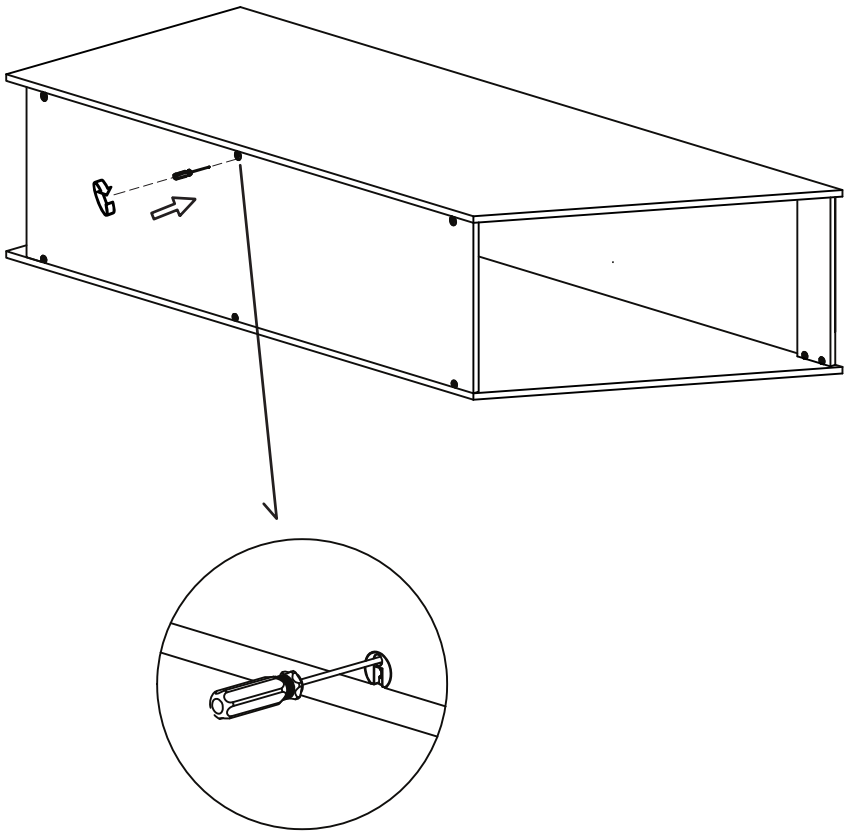
Step 07



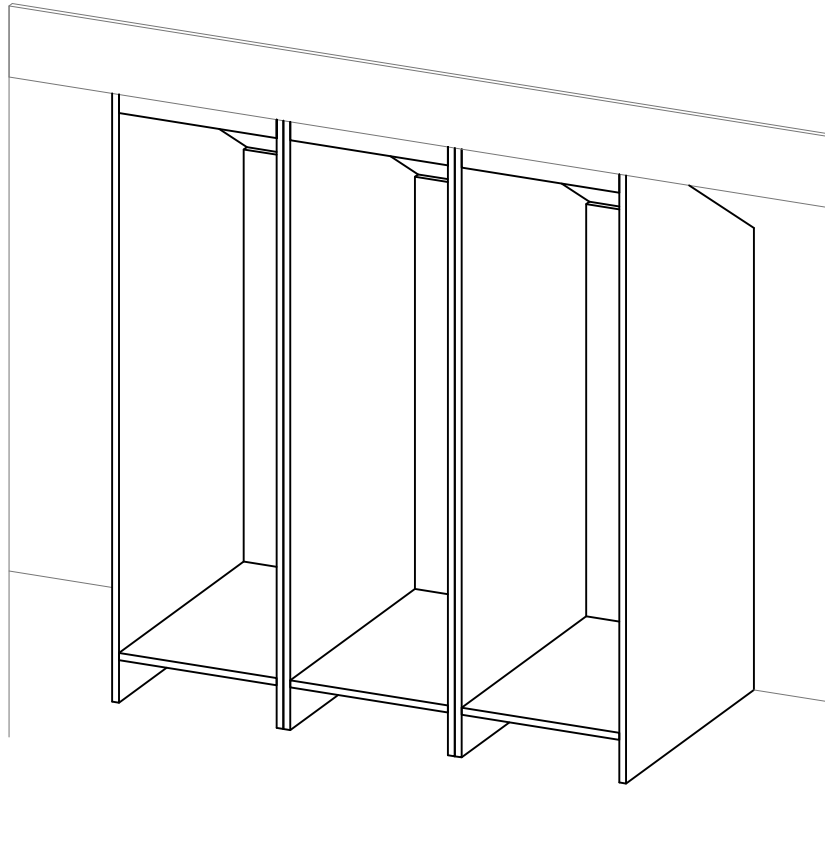
Step 08



Step 09

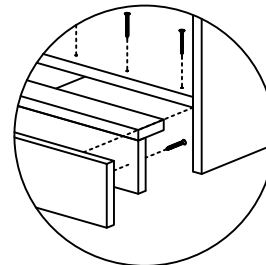
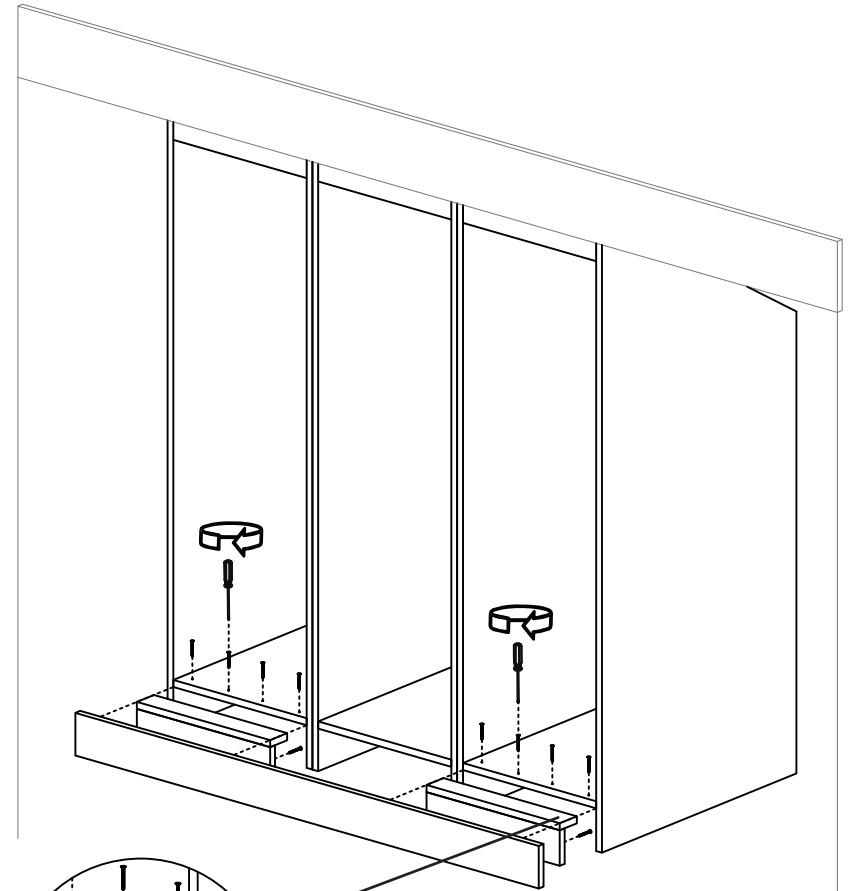


Step 10



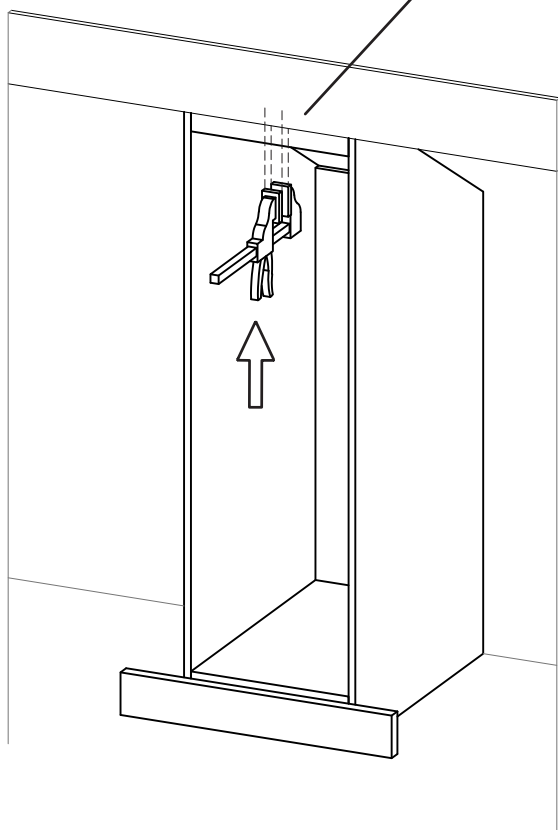
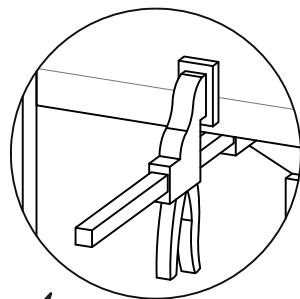
Assemble all other units before
levelling them and fixing to the wall

Step 11



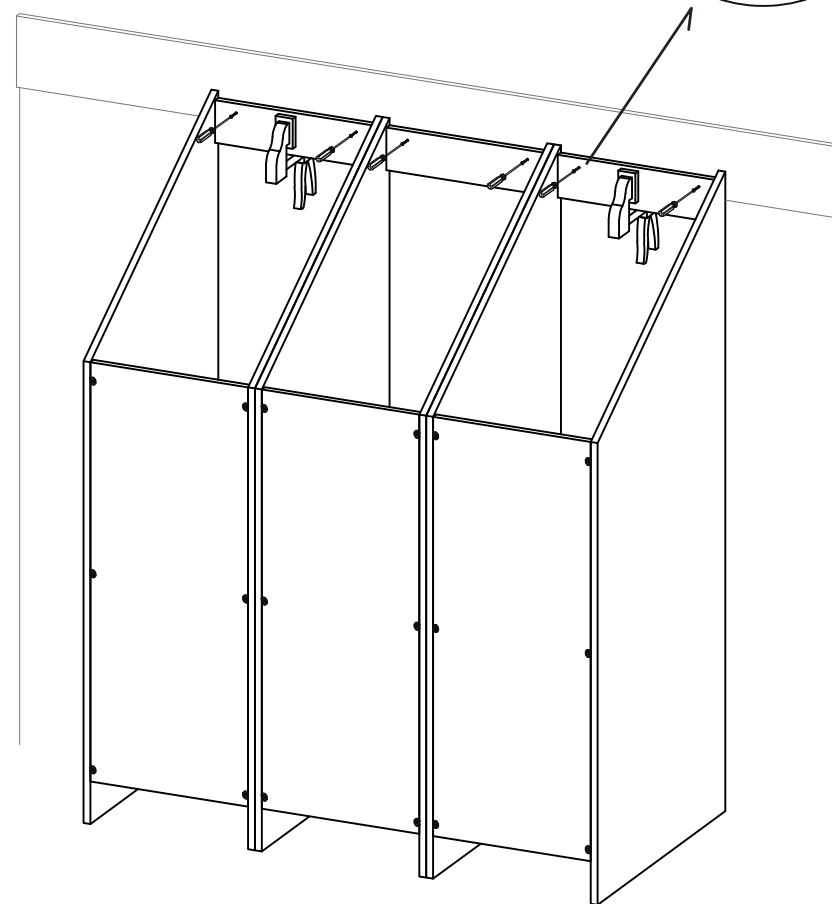
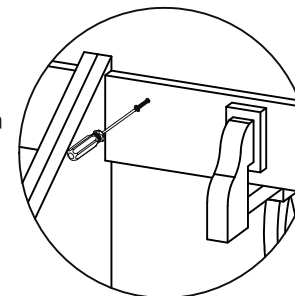
Use 30mm Screws to screw the plinth to the L shaped piece and then use 30mm screws to screw through the base of the units into the L shaped piece to fit the plinth into place

Step 12

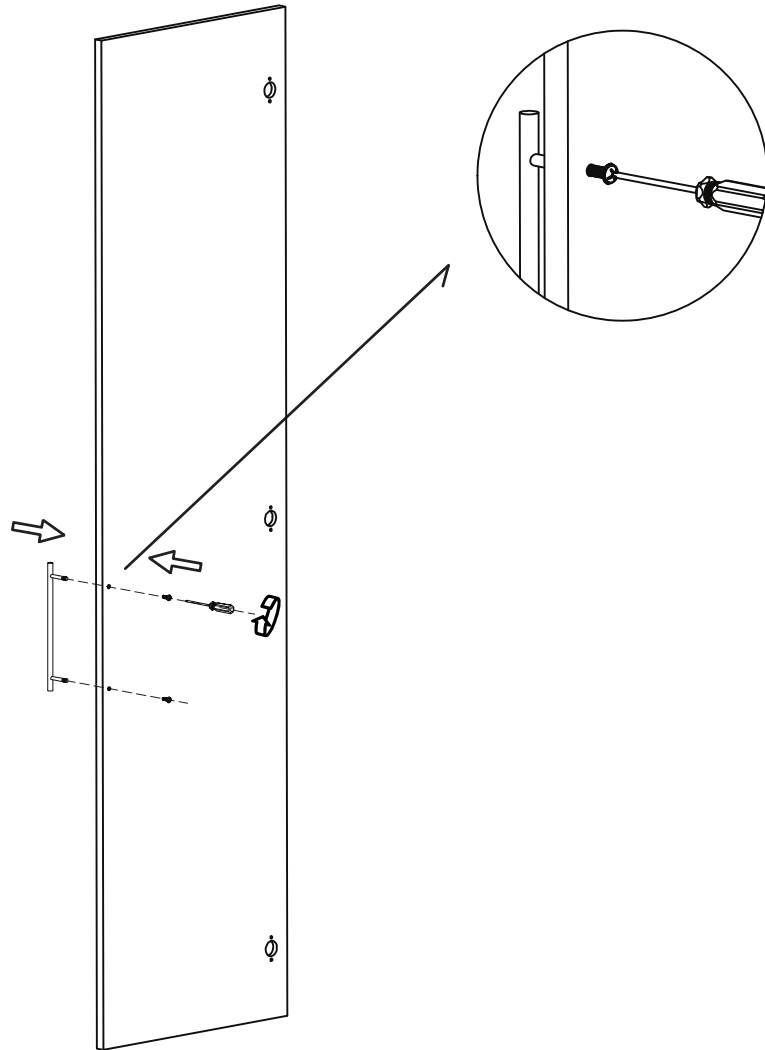


Step 13

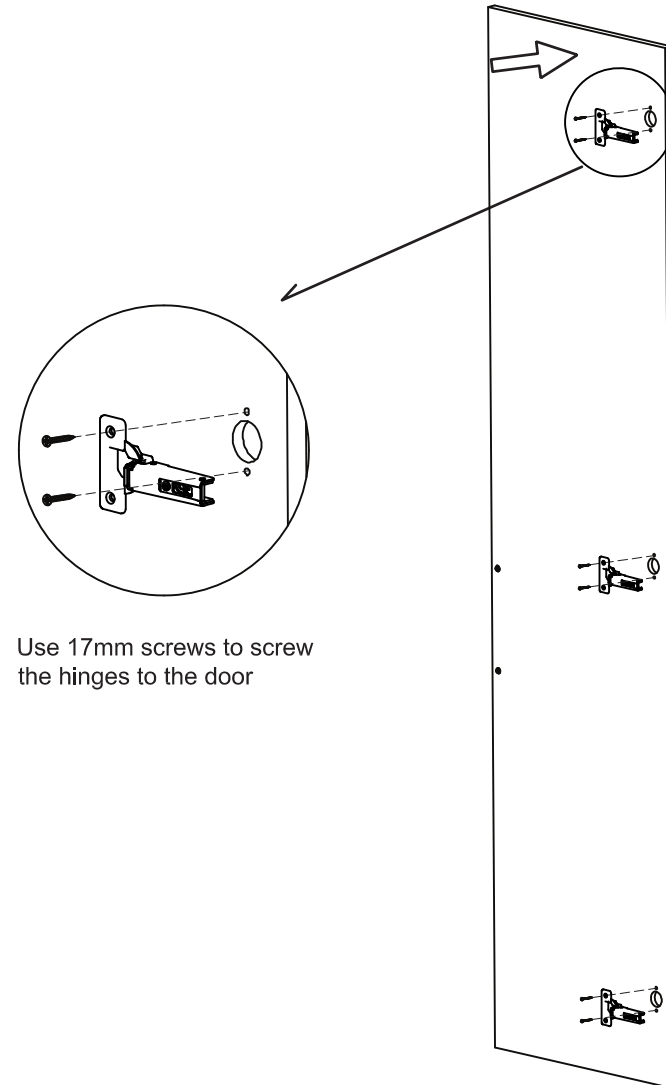
Use 30mm screws to screw the top plinth to the stretchers



Step 14

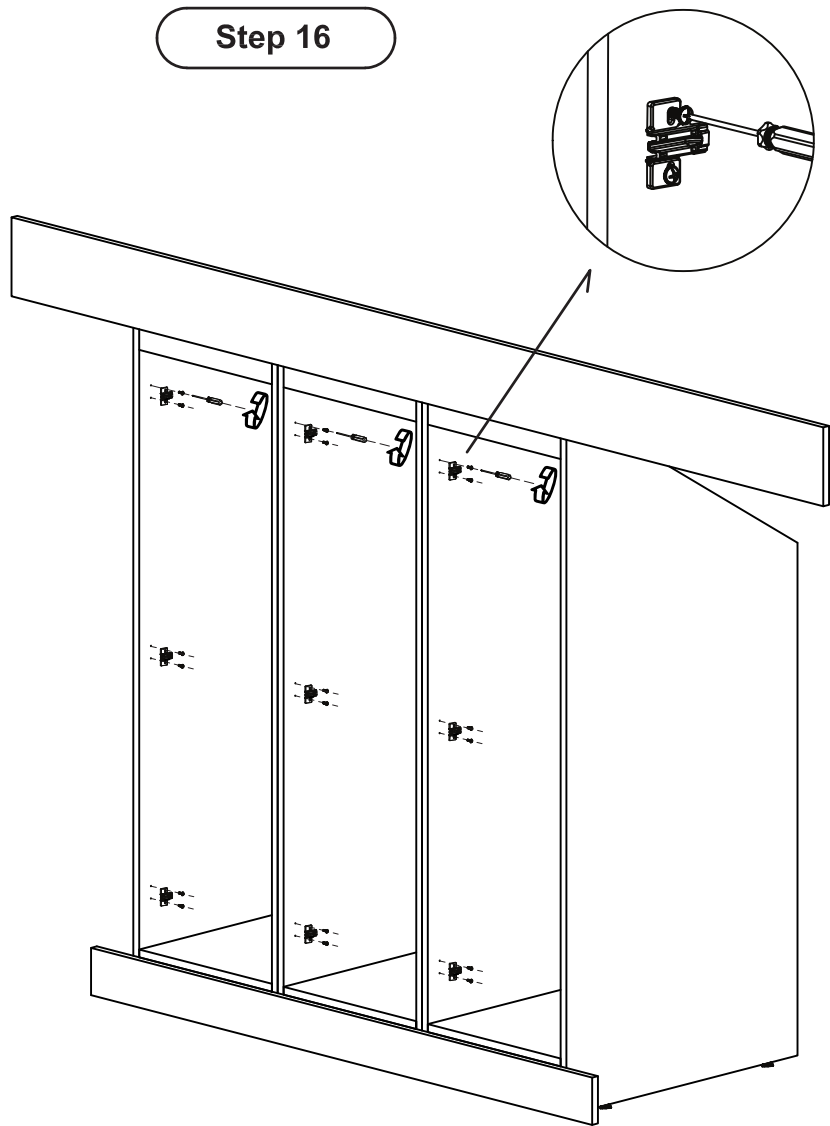


Step 15

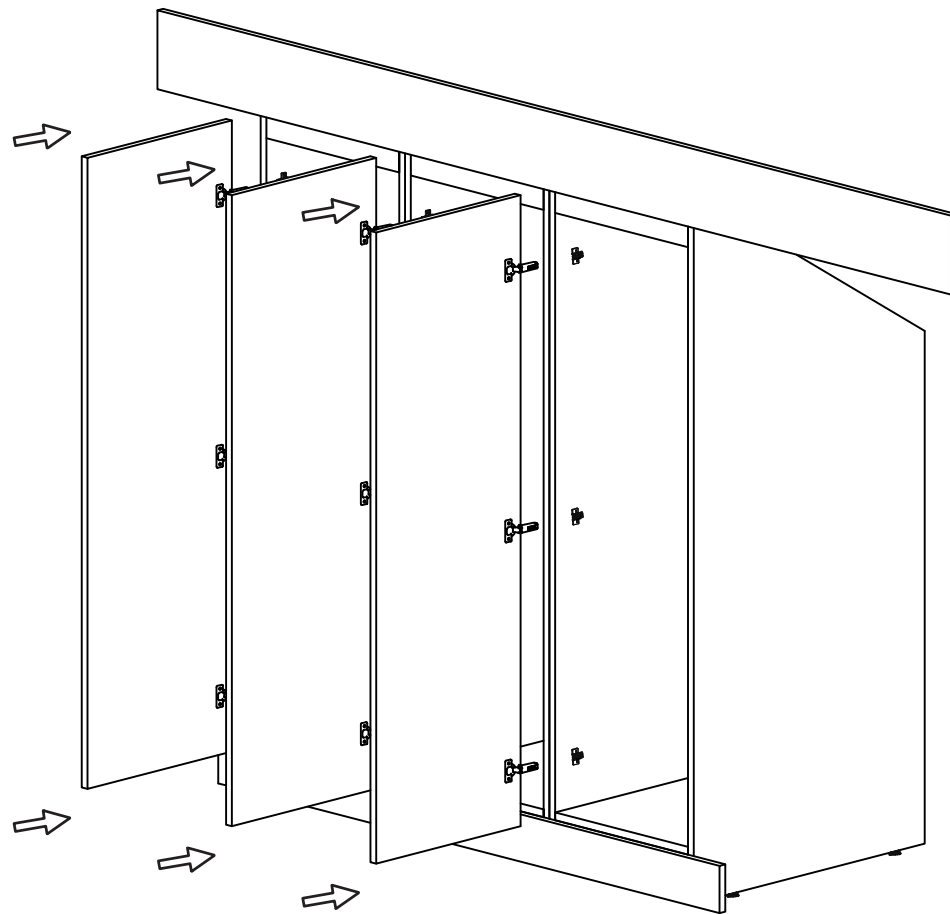


Use 17mm screws to screw the hinges to the door

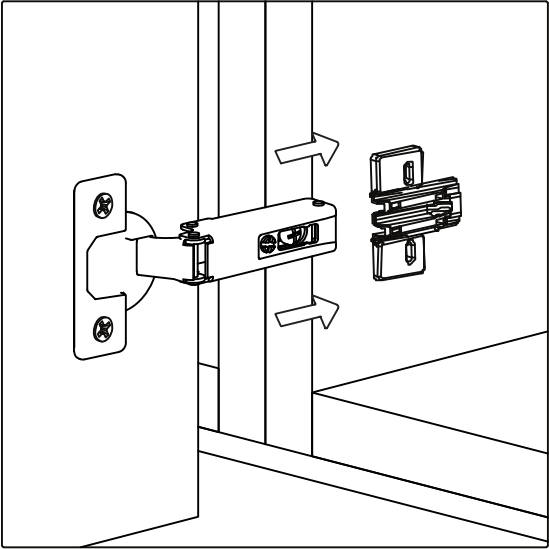
Step 16



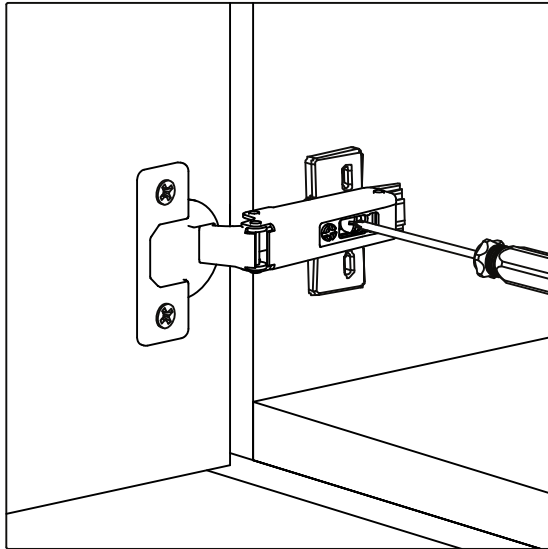
Step 17



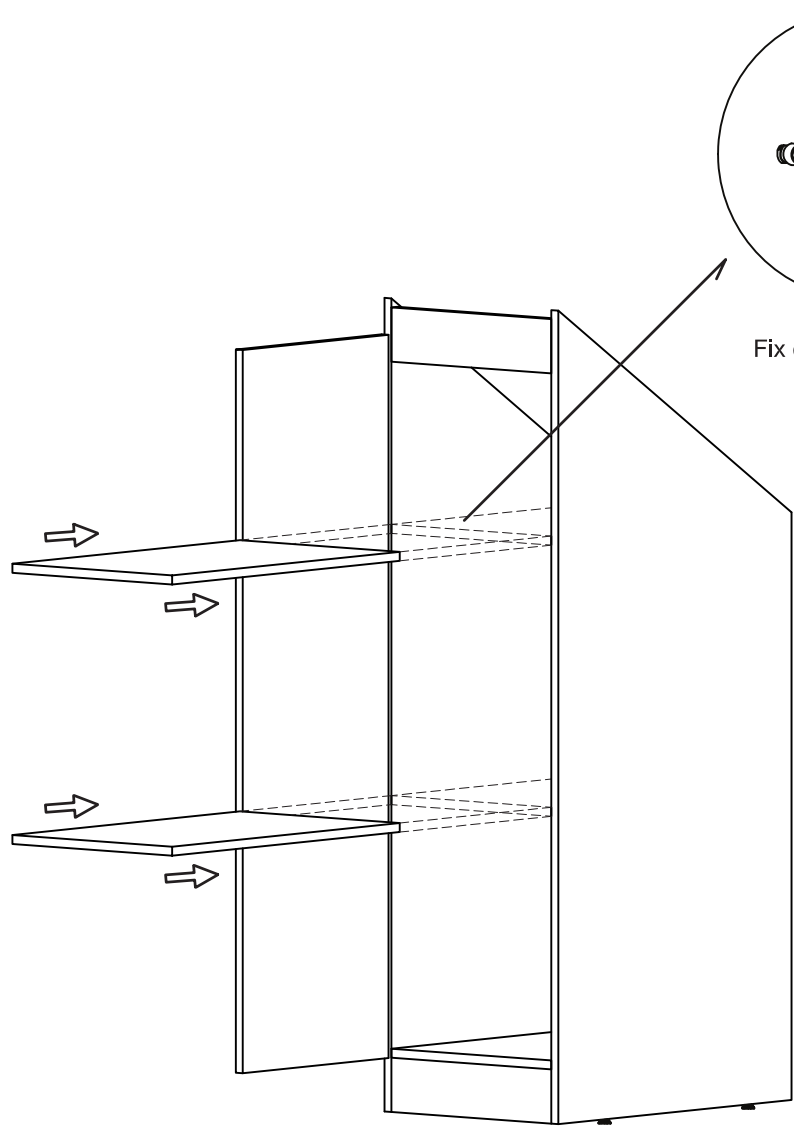
Step : Attaching the Door



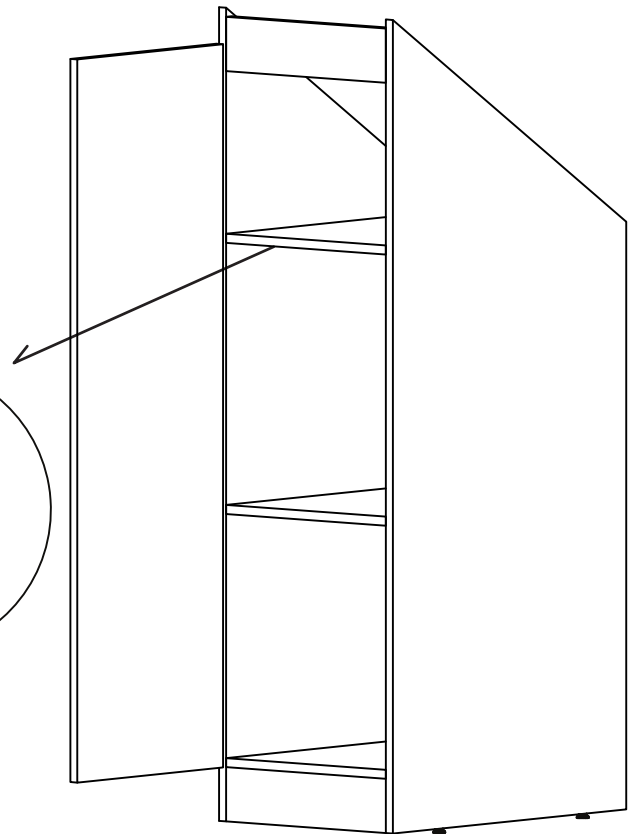
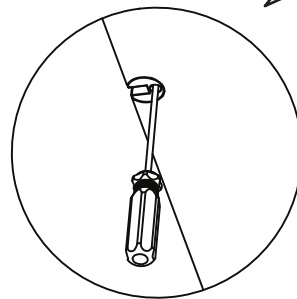
Step : Door Adjustment



Step 18 : Shelf Assembly



Fix cam screws into shelf holes

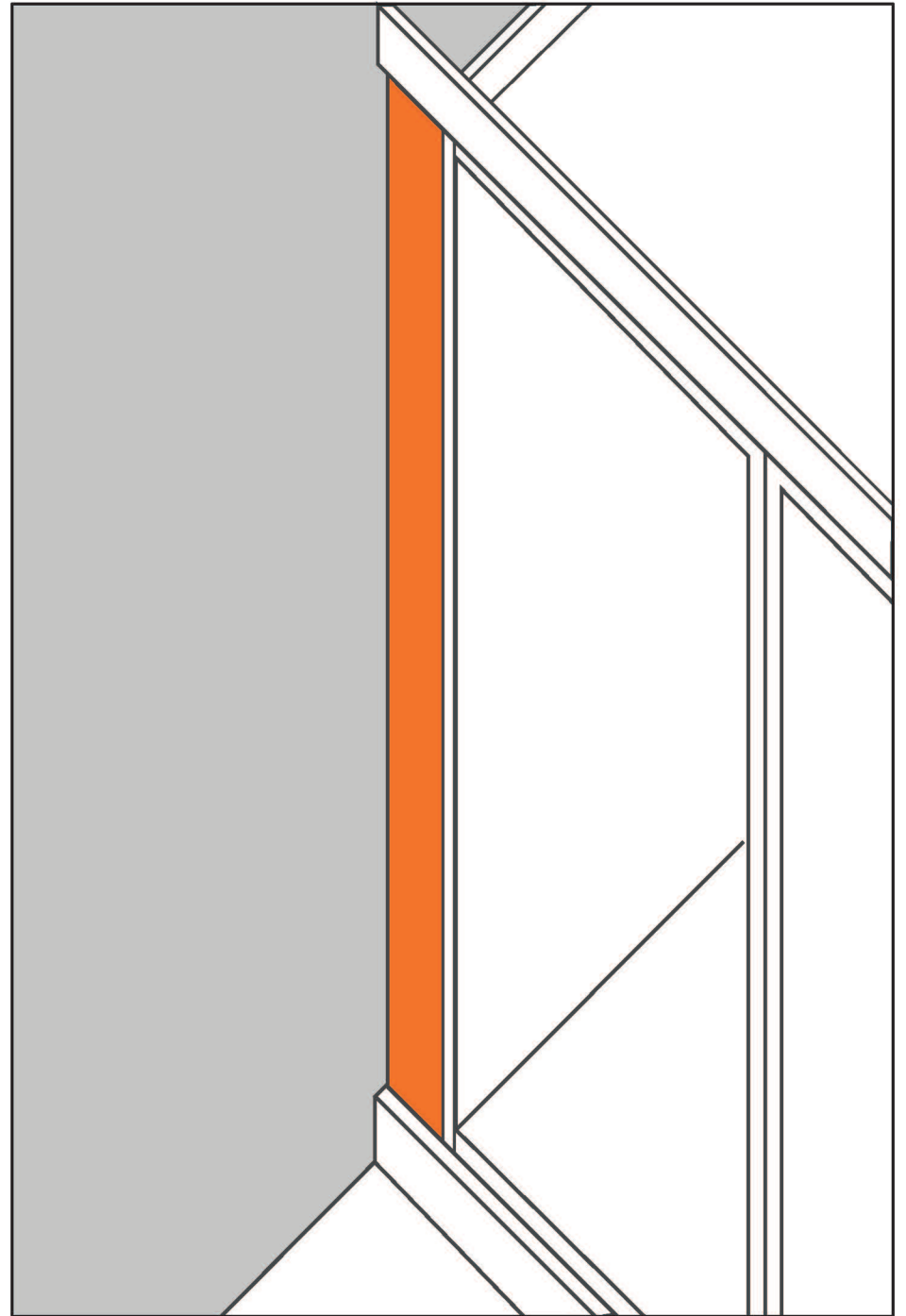




how to

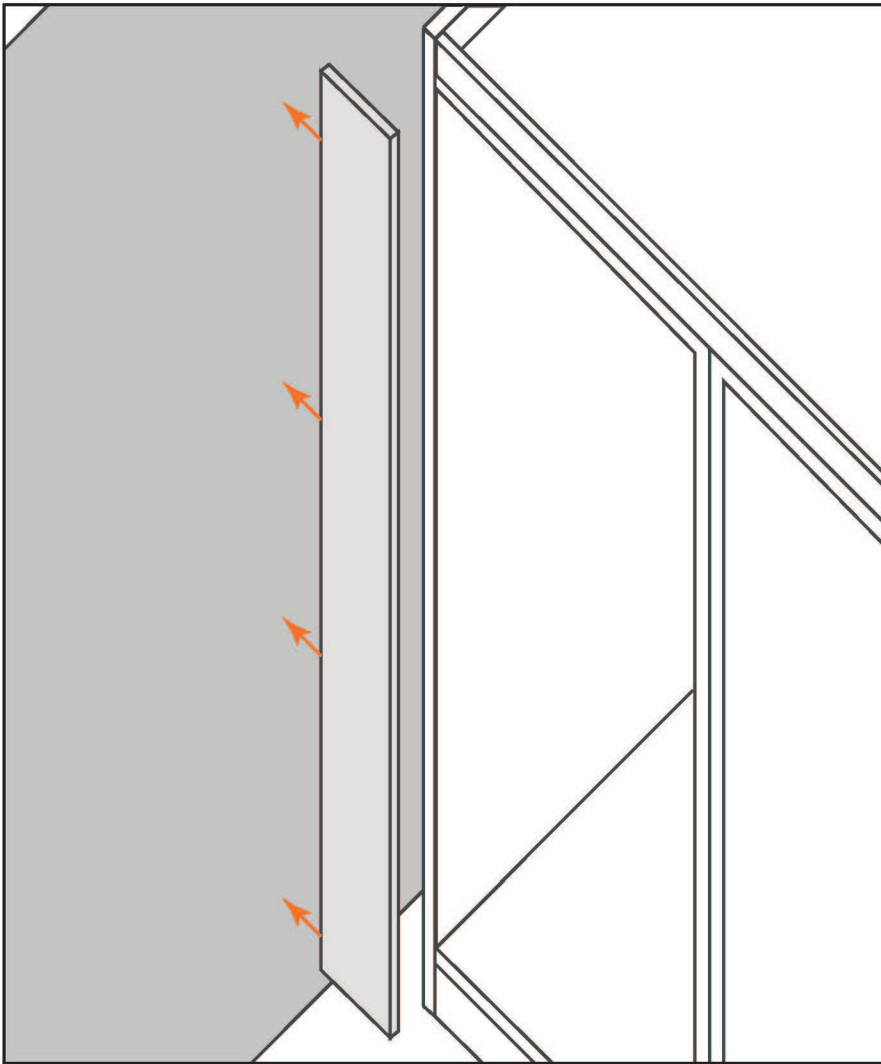
FIT SCRIBE PANELS

TO OUR WARDROBES



1

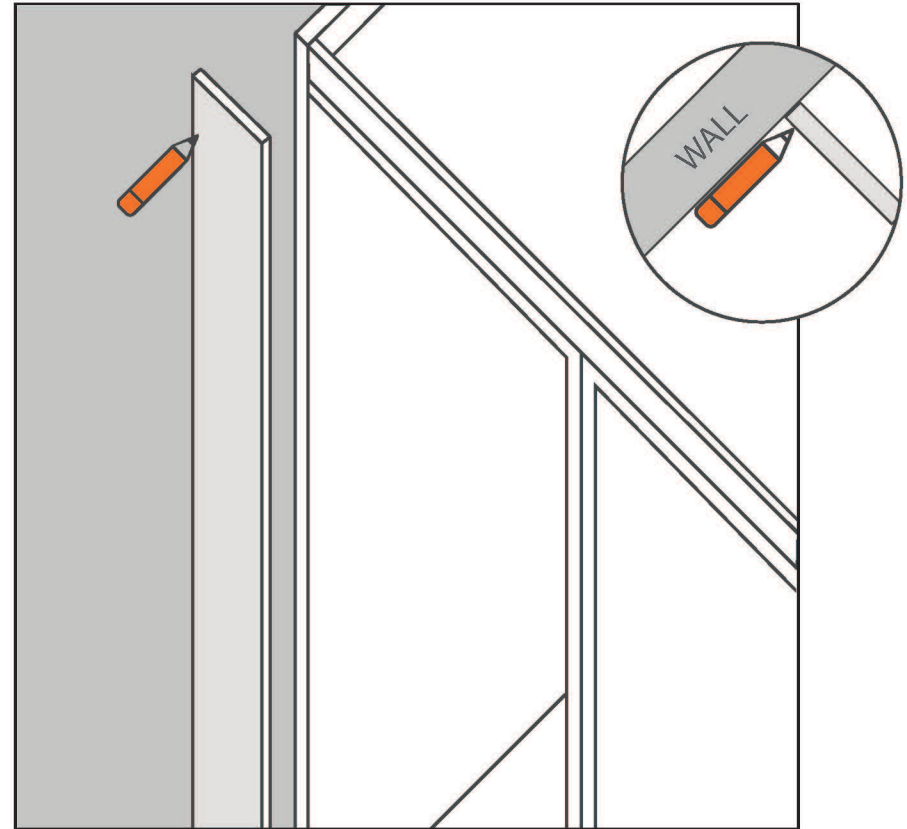
Offer the 150mm side scribe up to the wall



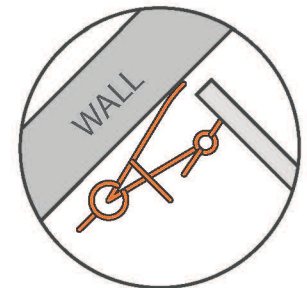
! The side scribe is fitted **BEFORE** the top plinth is fitted

2

Using a pencil, flat against the wall, mark a line down the length of the panel. – by keeping the pencil flat against the wall it will transfer any undulations in the wall onto the panel.

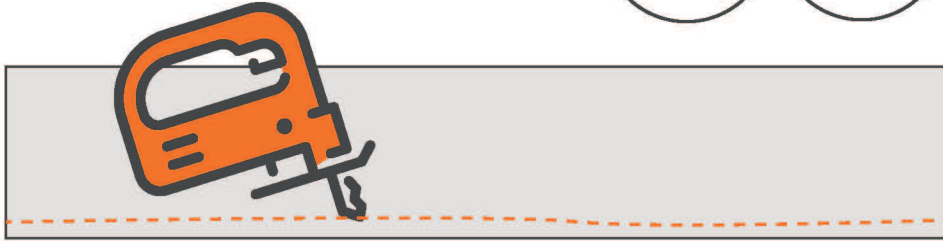
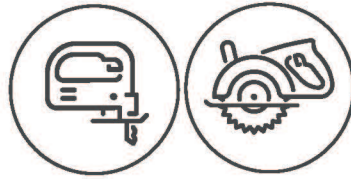


! If the wall is too far out of square the pencil may fall off the edge of the panel. If this is the case then use a pair of compasses or wrap tape around the shaft of the pencil to make it thicker.



3

3. Use a jigsaw or circular saw with a chipboard blade to cut to the line.



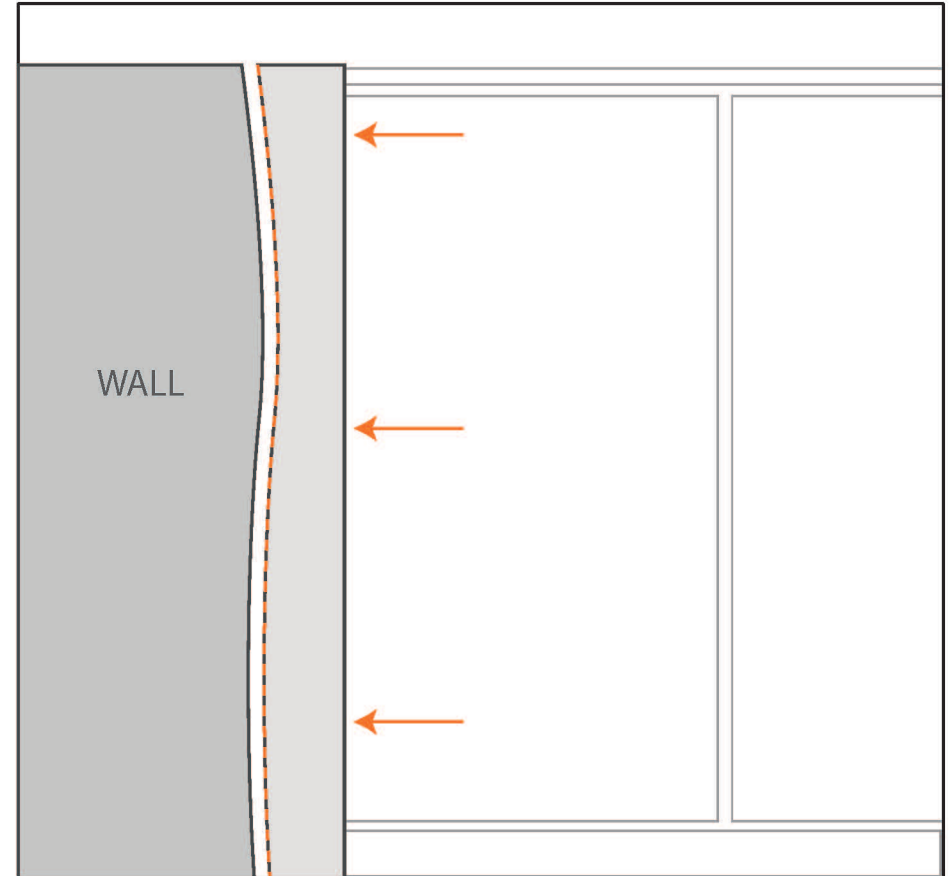
4

4. If you need to further refine this cut to get closer to the line then a handheld belt sander will help here.



5

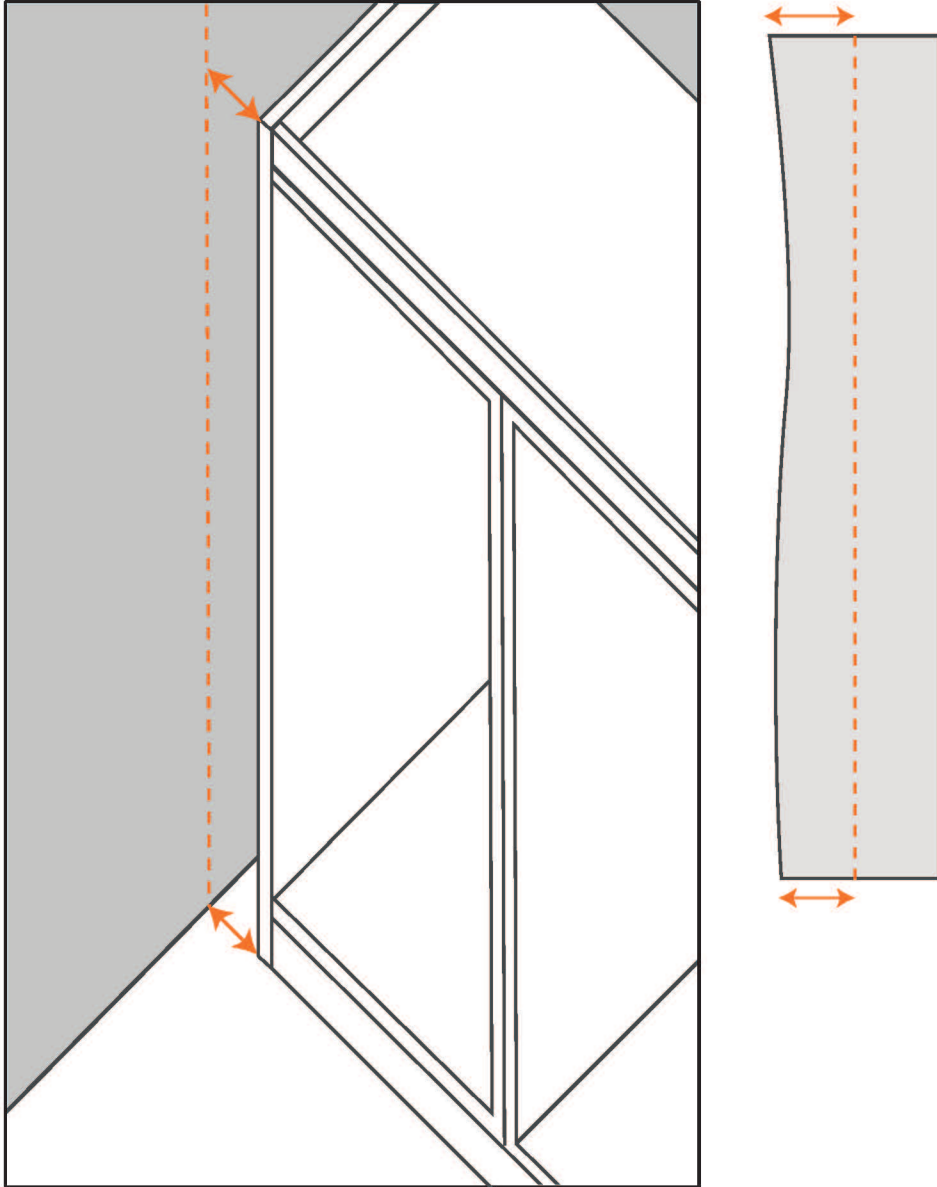
5. Offer the panel back up to the wall to make sure that the line you have cut is correct.



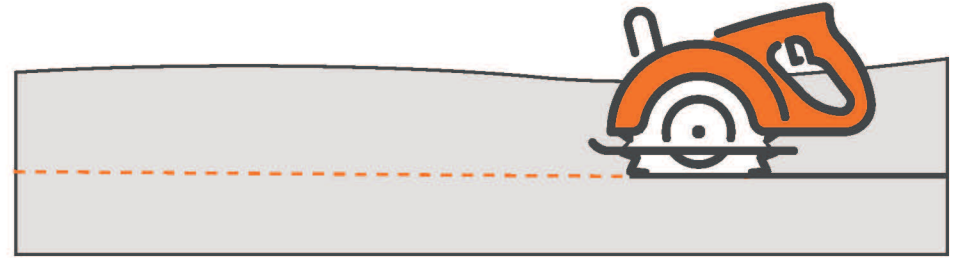
If the panel does not fit the shape of the wall
Start again on the same edge from step 1

If the panel does fit the shape of the wall
Move to step 6

- 6** Measure the width at the top and the bottom of the gap between the wardrobe and wall and mark these onto the panel, from the already cut side.

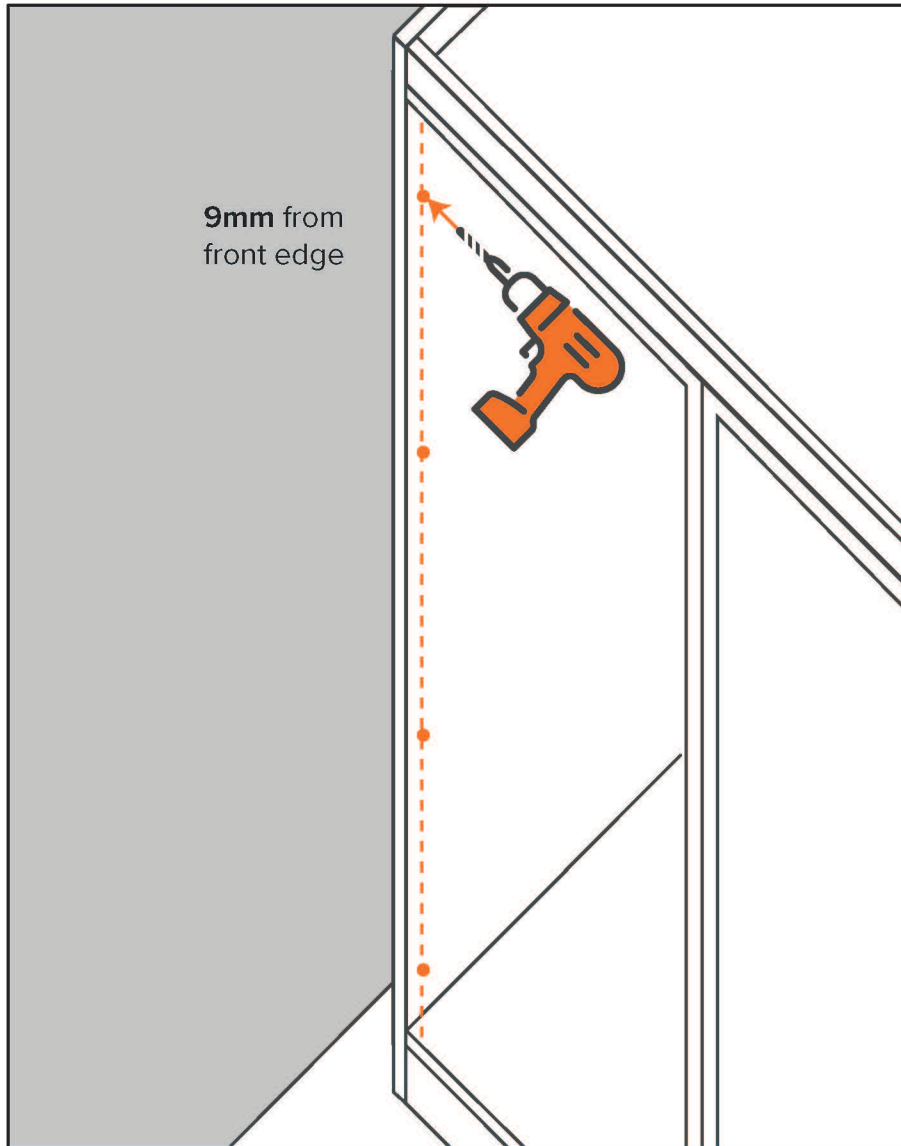


- 7** Cut the panel to the correct width as marked.



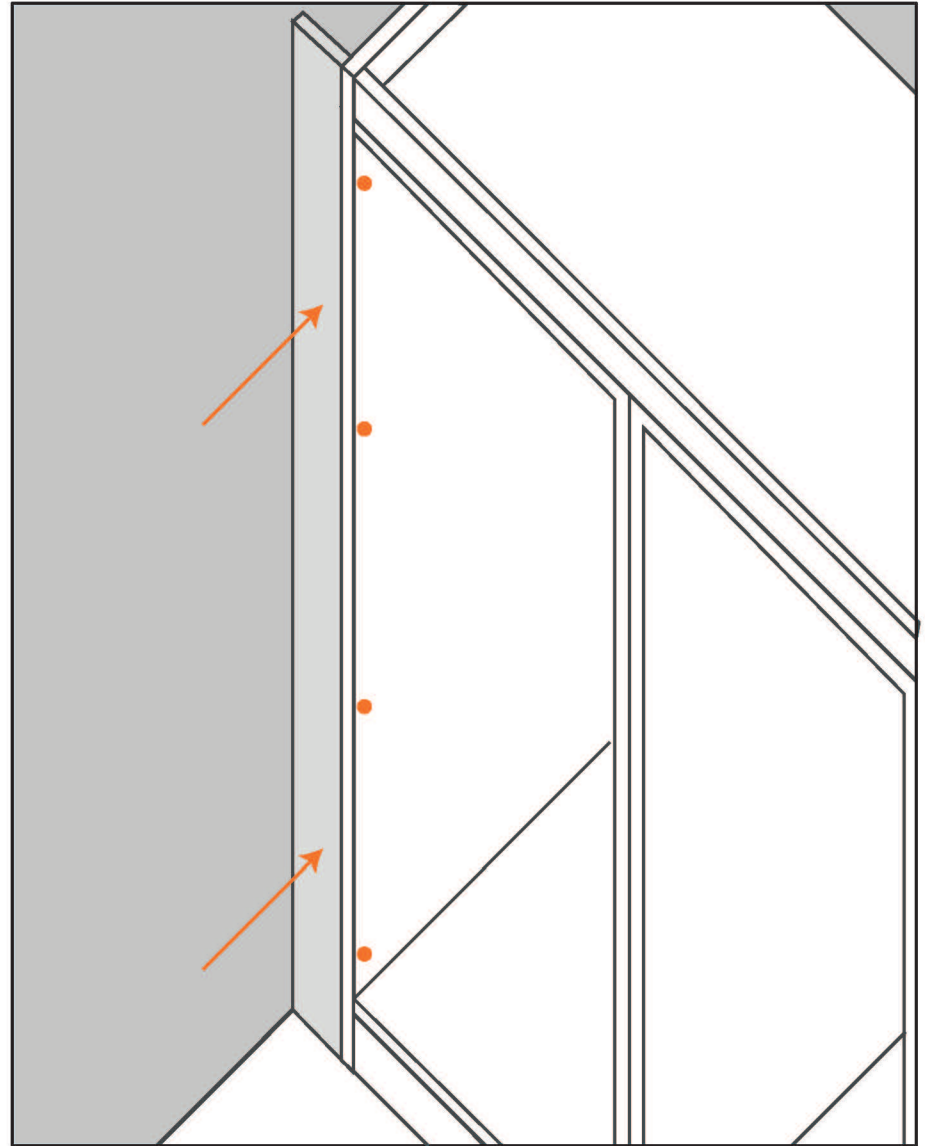
8

Using a 4mm drill bit, drill holes 9mm in from the front edge of the cabinet. – take care not to drill too close to the edge



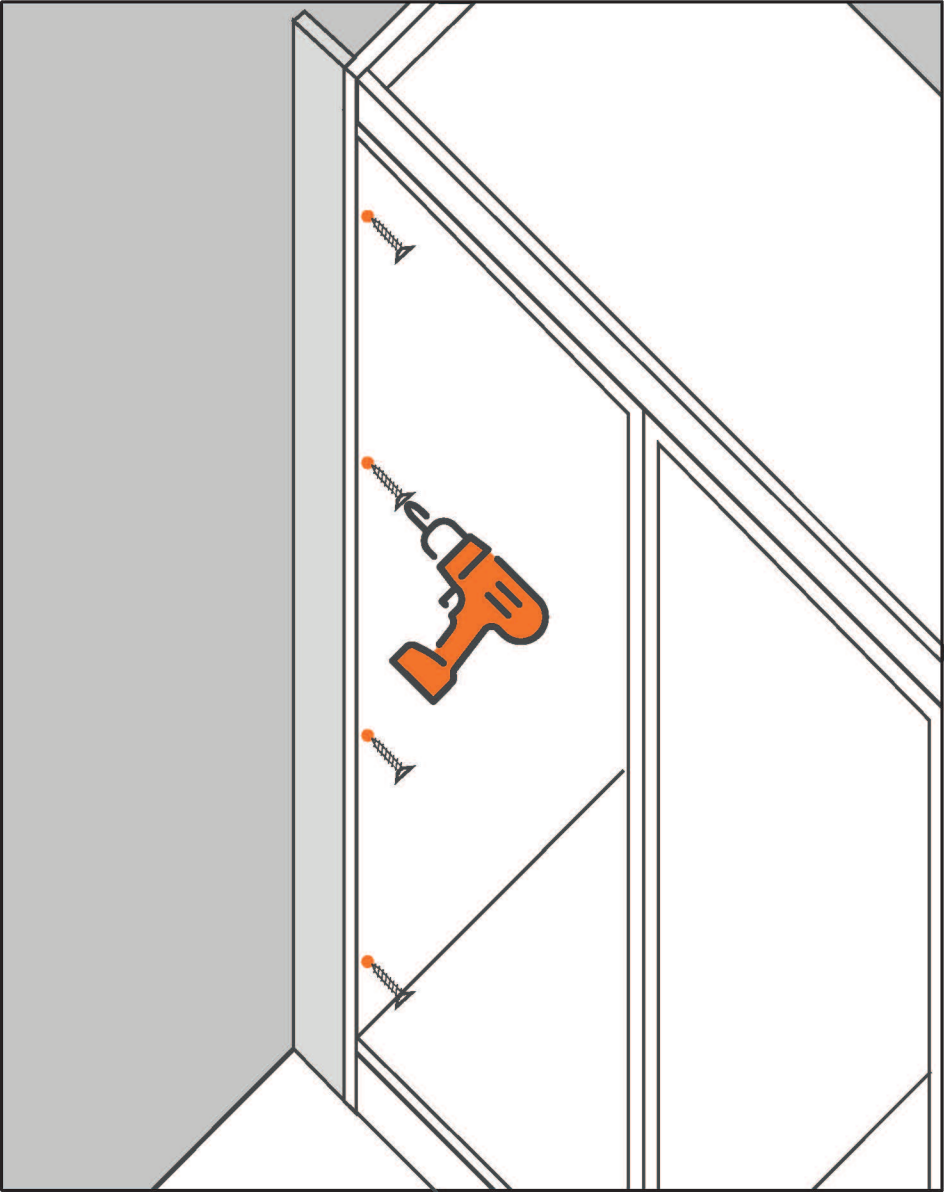
9

Fit the panel into the gap



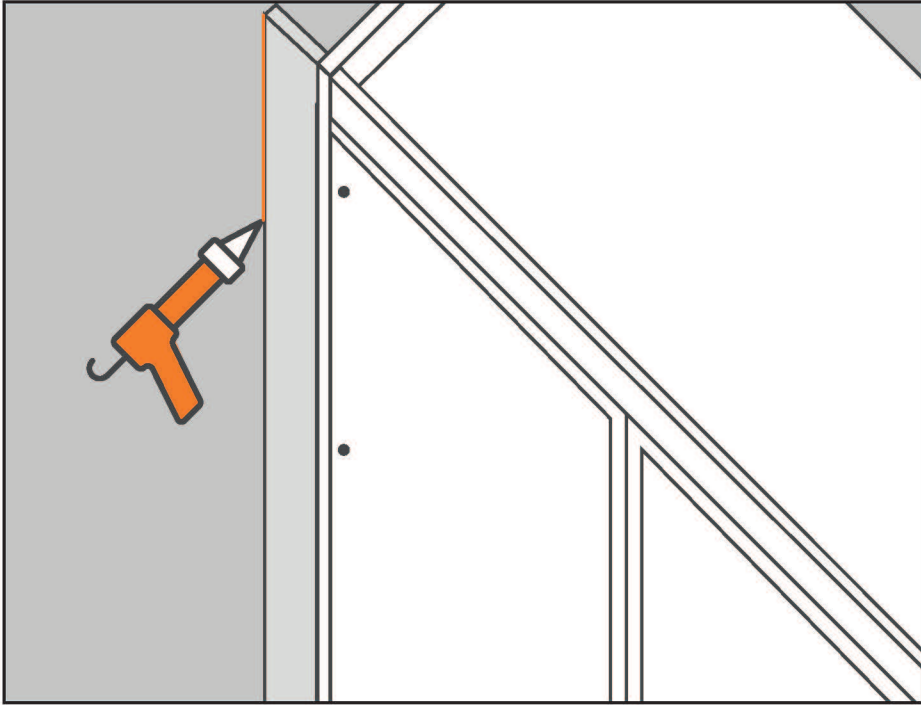
10

Using the provided 40mm screws, screw through the holes in the cabinet, into the side scribe panel



11

For the best finish we recommend using a colour matched silicone between the panel and the wall.



! This will help to cover any small chips from cutting as well as give you a secure fixing to the wall side.